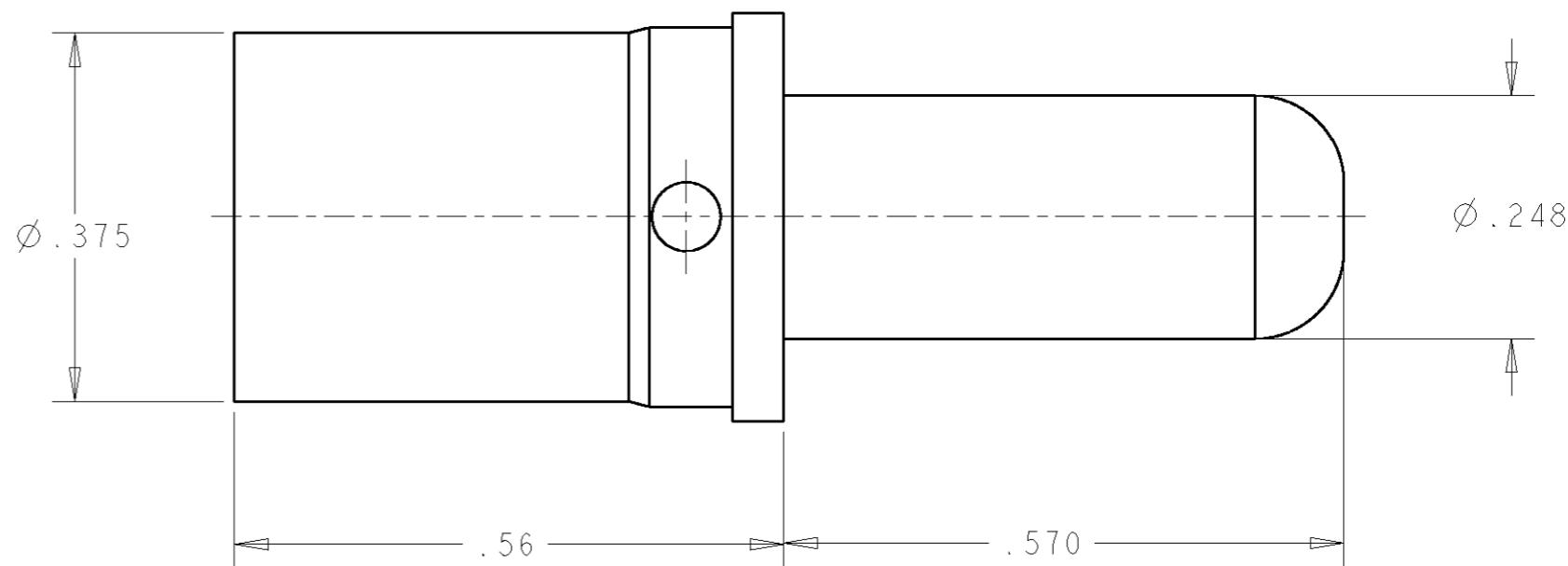
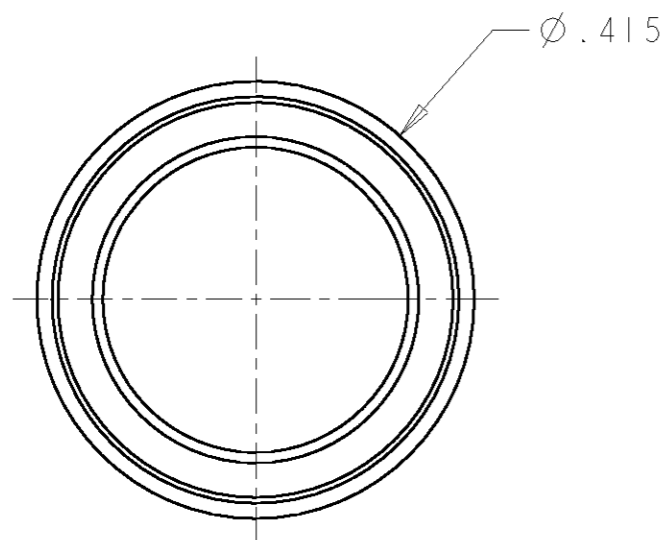


THIS DRAWING IS UNPUBLISHED. RELEASED FOR PUBLICATION 20  
 © COPYRIGHT 20 BY TYCO ELECTRONICS CORPORATION. ALL RIGHTS RESERVED.

LOC	DIST	REVISIONS			
P	LTR	DESCRIPTION	DATE	DWN	APVD
GP	00	A	RELEASED	09MAY2007	RG DO



1. PART NUMBER CHANGES AND OR DESIGN CHANGES AFFECTING THE INTERCHANGEABILITY REQUIRE PRIOR TYCO APPROVAL AND AUTHORIZATION BY REVISION TO THIS DRAWING.

2. MATERIAL;  
COPPER ALLOY

3. FINISH:  
SILVER PLATE .000200 MIN THK. OVER NICKEL  
.000040 MIN. THK.

4. ITEMS PROVIDED TO THIS SPECIFICATION TO BE PERMANENTLY IDENTIFIED ON THE CONTAINER WITH THE FOLLOWING IDENTIFIER:

AS SHOWN	1766232-1
DESCRIPTION	PART NUMBER

TYCO PART NO.  
XXXXXXX-X

DATE CODE (e.g. 0216)  
YEAR WEEK  
XXXX

THIS DRAWING IS A CONTROLLED DOCUMENT FOR TYCO ELECTRONICS CORPORATION IT IS SUBJECT TO CHANGE AND THE CONTROLLING ENGINEERING ORGANIZATION SHOULD BE CONTACTED FOR THE LATEST REVISION.

DIMENSIONS: INCHES	TOLERANCES UNLESS OTHERWISE SPECIFIED:
	0 PLC ±-
	1 PLC ±-
	2 PLC ±.02
	3 PLC ±.010
	4 PLC ±-
	ANGLES ±-

DWN	09MAY2007
CHR	R.GRZYBOWSKI
APVD	09MAY2007
APVD	D.ORRIS
APVD	S.FLICKINGER
PRODUCT SPEC	-
APPLICATION SPEC	-
WEIGHT	-

Tyco Electronics Harrisburg, PA 17105-3608	
NAME PIN CONTACT, .25 DIA. WITH No. 4 CRIMP BARREL	
SIZE	RESTRICTED TO
A3	-

**ELCON CONTACTS**

CUSTOMER DRAWING SCALE 6:1 SHEET 1 OF 1 REV A

单击下面可查看定价，库存，交付和生命周期等信息

[>>TE Connectivity\(泰科\)](#)