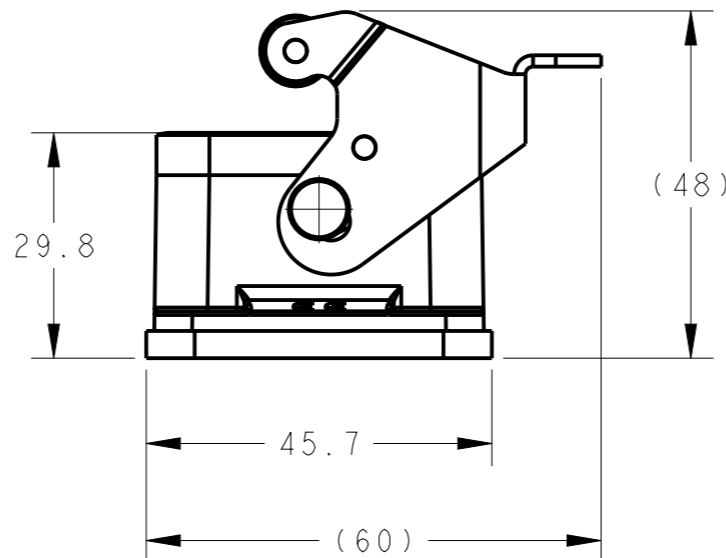
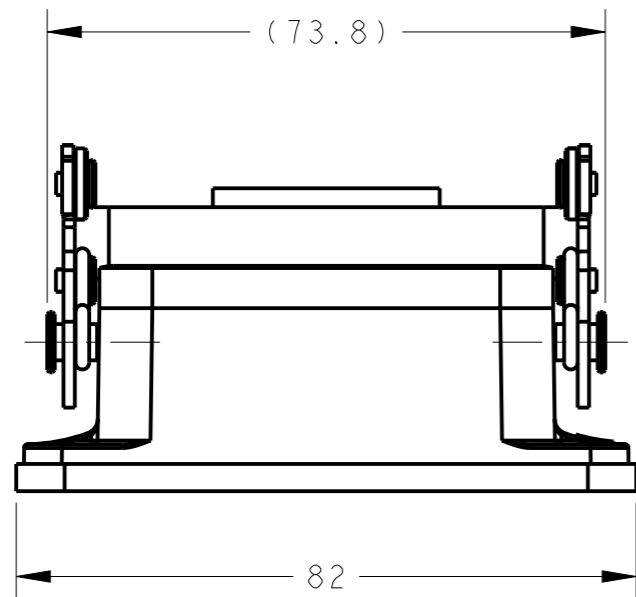


THIS DRAWING IS UNPUBLISHED. RELEASED FOR PUBLICATION 20
 © COPYRIGHT 20 BY - ALL RIGHTS RESERVED.

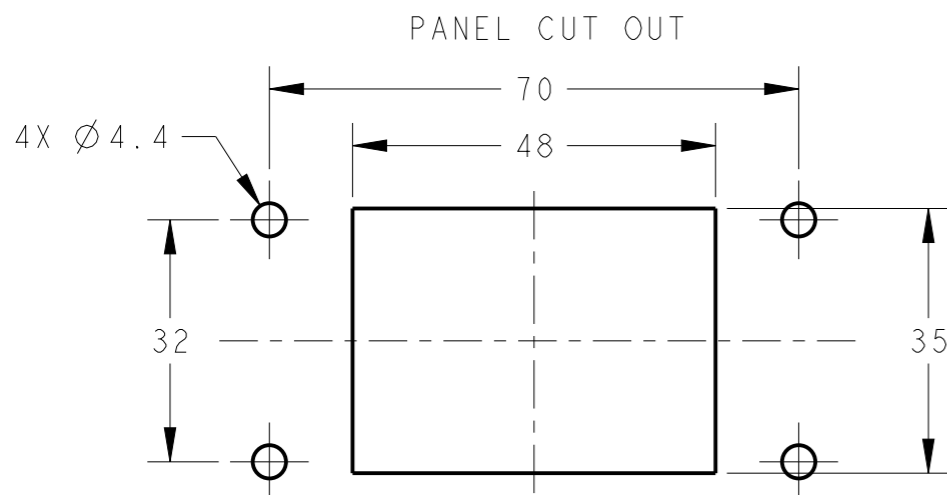
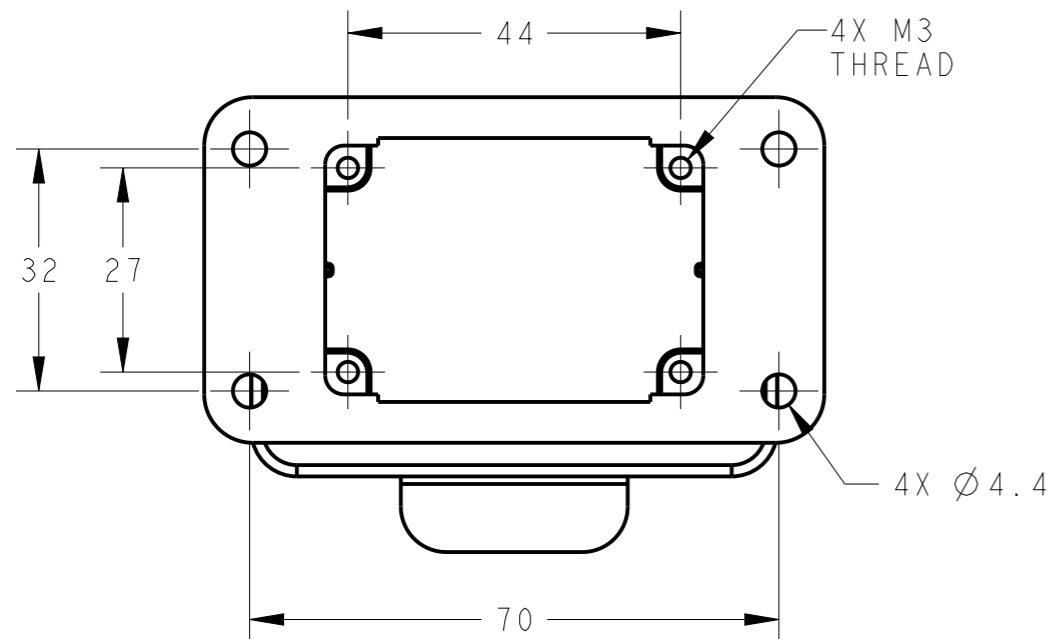
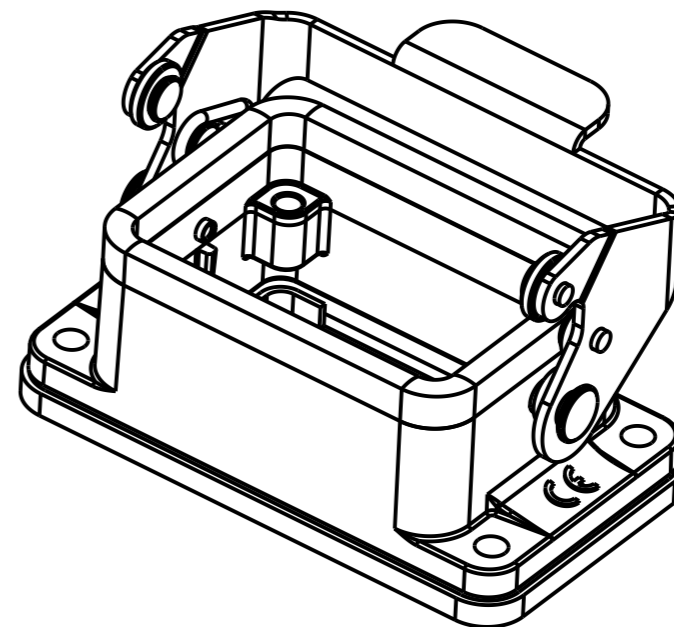
REVISIONS

P	LTR	DESCRIPTION	DATE	DWN	APVD
	A	INITIAL	10JUN2015	DW	CW
	A1	ECR-15-012067	10AUG2015	DW	CW
	B	ECR-20-007968	08JUN2020	WQR	CW



NOTES:
 1. TECHNICAL CHARACTERISTICS:
 HOUSING MATERIAL: DIE CAST ALUMINIUM ALLOY
 SURFACE: POWDER COATED, GREY
 DEGREE OF PROTECTION: IP65 (MATED)

注释:
 1. 技术参数:
 下壳材料: 铝合金
 表面处理: 粉末涂层, 灰色
 防护等级: IP65(配合)



T1500062000-000	H6B-AGS	H6B HOUSING, BULKHEAD MOUNTED, STAINLESS STEEL SINGLE LOCKING POWDER COATED, GREY H6B下壳, 开孔安装, 不锈钢单扣, 灰色粉末喷涂
-----------------	---------	---

PART NUMBER 成品料号	PART DESCRIPTION 成品描述
---------------------	--------------------------

THIS DRAWING IS A CONTROLLED DOCUMENT.		DWN 05JUN2015 David Wang	STE TE Connectivity	
DIMENSIONS: mm		CHK 05JUN2015 Chris Wang		
TOLERANCES UNLESS OTHERWISE SPECIFIED:		APVD 05JUN2015 Xiang Xu	NAME H6B-AGS	
0 PLC ±-		PRODUCT SPEC	108-137013	
1 PLC ±-		APPLICATION SPEC	114-137013	
2 PLC ±-		WEIGHT	-	
3 PLC ±-		SIZE	A300779	
4 PLC ±-		CAGE CODE	C-T1500062000000	
ANGLES ±-		DRAWING NO	-	
FINISH		RESTRICTED TO	-	
MATERIAL		SCALE	1:1	
-		SHEET	1 OF 1	
-		REV	B	
-		Customer Drawing		

单击下面可查看定价，库存，交付和生命周期等信息

[>>TE Connectivity\(泰科\)](#)