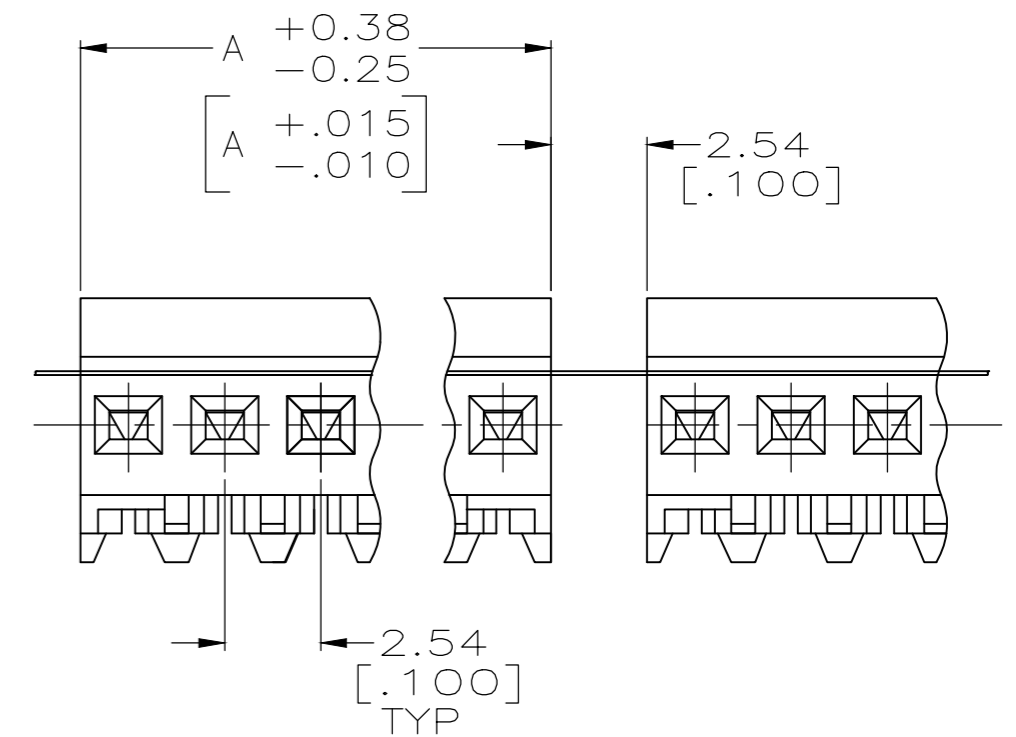
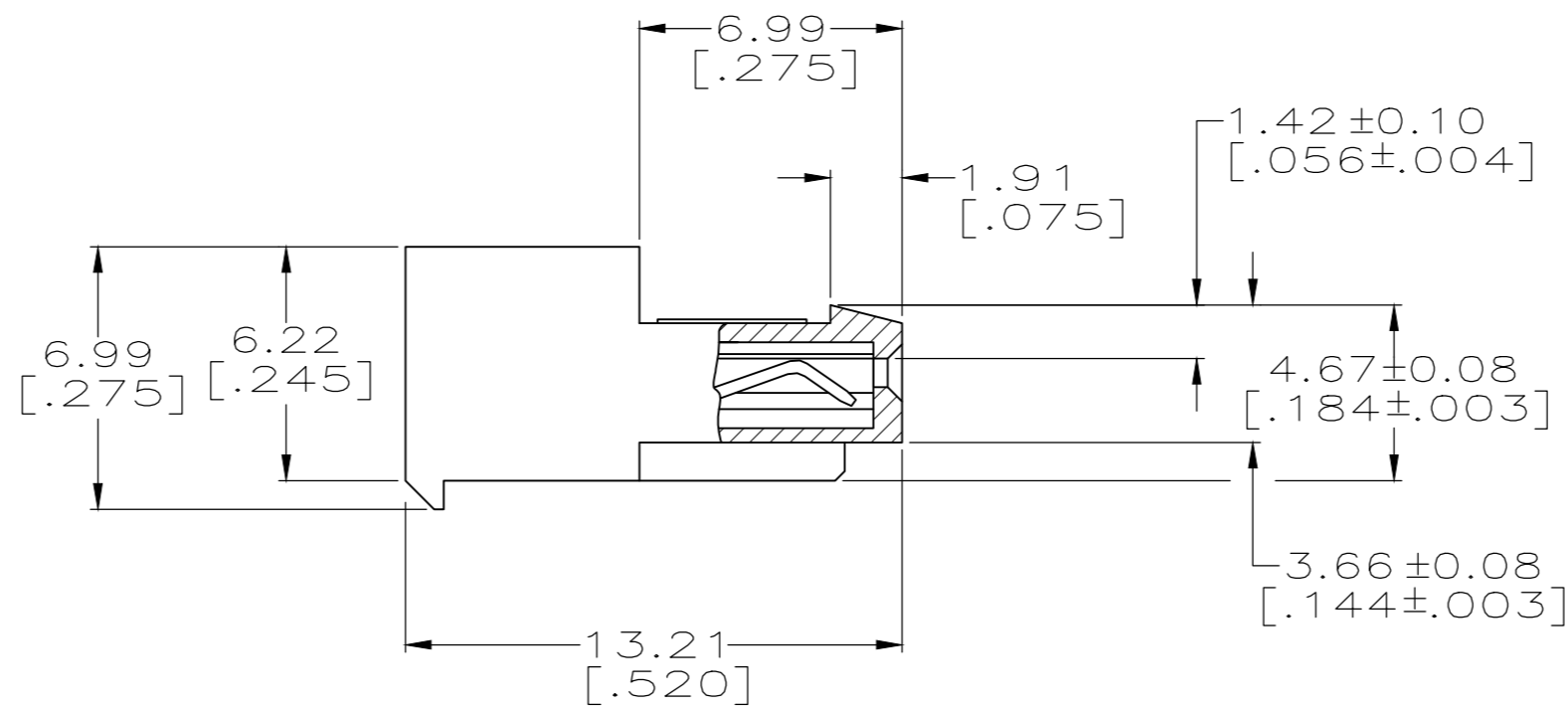
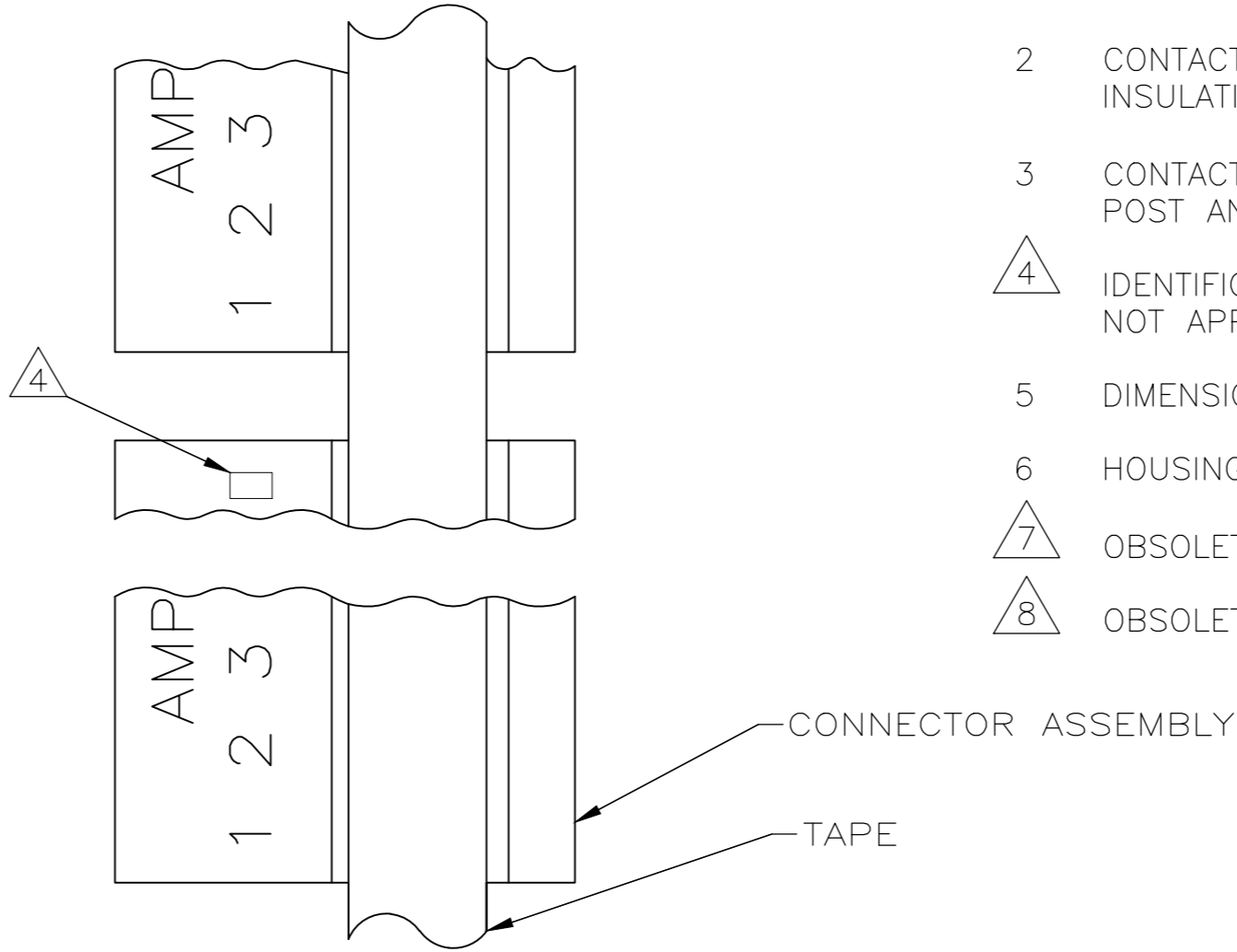


THIS DRAWING IS UNPUBLISHED. RELEASED FOR PUBLICATION
 © COPYRIGHT - By - ALL RIGHTS RESERVED.

LOC		DIST		REVISIONS			
P	LTR	DESCRIPTION		DATE	DWN	APVD	
CM	00	S		REVISED PER ECR-20-000541	15MAY2020	PC	SW

- 1 MATERIAL: CONNECTOR - NYLON UL94-V2 (RED)
 CONTACTS - 0.30[.012] THICK COPPER ALLOY
 BRIGHT TIN-LEAD 0.00203[.000080] MIN. THICK
 FOR CONTACTS 640468-2 THRU 2-640468-8.
 MATTE WHISKER MITIGATED TIN PLATE 0.00203[.000080] MIN. THICK
 OVER NICKEL UNDERPLATE FOR CONTACTS 3-640468-2 THRU
 5-640468-8.
- 2 CONTACTS ACCEPT 22 AWG WIRE WITH 1.52[.060] MAX
 INSULATION DIAMETER.
- 3 CONTACTS MUST ACCEPT 0.64±0.03[.025±.001] SQUARE
 POST AND REMAIN LOCKED IN POSITION.
- 4 IDENTIFICATION NUMBER FOR LAST CIRCUIT MAY
 NOT APPEAR ON ALL ASSEMBLIES.
- 5 DIMENSIONS IN BRACKETS ARE IN INCHES.
- 6 HOUSING FEATURES ARE: CLOSED END WITH LOCKING RAMP
- 7 OBSOLETE PARTS: OBSOLETE CIS STREAMLINING PER D.RENAUD/D.SINISI
- 8 OBSOLETE PARTS



D	YES	DIM A	NO. OF CIRCUITS	PART NO.
28	YES	71.12[2.800]	28	5-640468-8
27	YES	68.58[2.700]	27	5-640468-7
26	YES	66.04[2.600]	26	5-640468-6
25	YES	63.50[2.500]	25	5-640468-5
24	YES	60.96[2.400]	24	5-640468-4
23	YES	58.42[2.300]	23	5-640468-3
22	YES	55.88[2.200]	22	5-640468-2
21	YES	53.34[2.100]	21	5-640468-1
20	YES	50.80[2.000]	20	5-640468-0
19	YES	48.26[1.900]	19	4-640468-9
18	YES	45.72[1.800]	18	4-640468-8
17	YES	43.18[1.700]	17	4-640468-7
16	YES	40.64[1.600]	16	4-640468-6
15	YES	38.10[1.500]	15	4-640468-5
14	YES	35.56[1.400]	14	4-640468-4
13	YES	33.02[1.300]	13	4-640468-3
12	YES	30.48[1.200]	12	4-640468-2
11	YES	27.94[1.100]	11	4-640468-1
10	YES	25.40[1.000]	10	4-640468-0
9	YES	22.86[.900]	9	3-640468-9
8	YES	20.32[.800]	8	3-640468-8
7	YES	17.78[.700]	7	3-640468-7
6	YES	15.24[.600]	6	3-640468-6
5	YES	12.70[.500]	5	3-640468-5
4	YES	10.16[.400]	4	3-640468-4
3	YES	7.62[.300]	3	3-640468-3
2	YES	5.08[.200]	2	3-640468-2

B	NO	DIM A	NO. OF CIRCUITS	PART NO.
28	NO	71.12[2.800]	28	2-640468-8
27	NO	68.58[2.700]	27	2-640468-7
26	NO	66.04[2.600]	26	2-640468-6
25	NO	63.50[2.500]	25	2-640468-5
24	NO	60.96[2.400]	24	2-640468-4
23	NO	58.42[2.300]	23	2-640468-3
22	NO	55.88[2.200]	22	2-640468-2
21	NO	53.34[2.100]	21	2-640468-1
20	NO	50.80[2.000]	20	2-640468-0
19	NO	48.26[1.900]	19	1-640468-9
18	NO	45.72[1.800]	18	1-640468-8
17	NO	43.18[1.700]	17	1-640468-7
16	NO	40.64[1.600]	16	1-640468-6
15	NO	38.10[1.500]	15	1-640468-5
14	NO	35.56[1.400]	14	1-640468-4
13	NO	33.02[1.300]	13	1-640468-3
12	NO	30.48[1.200]	12	1-640468-2
11	NO	27.94[1.100]	11	1-640468-1
10	NO	25.40[1.000]	10	1-640468-0
9	NO	22.86[.900]	9	640468-9
8	NO	20.32[.800]	8	640468-8
7	NO	17.78[.700]	7	640468-7
6	NO	15.24[.600]	6	640468-6
5	NO	12.70[.500]	5	640468-5
4	NO	10.16[.400]	4	640468-4
3	NO	7.62[.300]	3	640468-3
2	NO	5.08[.200]	2	640468-2

SUPERCEDED



SUPERCEDED



THIS DRAWING IS A CONTROLLED DOCUMENT.

DIMENSIONS: mm [INCHES]	TOLERANCES UNLESS OTHERWISE SPECIFIED:	DWN S. CARPENTER 08AUG2003	 TE Connectivity
	0 PLC ± 1 PLC ± 2 PLC ± 3 PLC ± 0.13 [.005] 4 PLC ± ANGLES ±	CHK D. BOSSI 08AUG2003 APVD D. BOSSI 08AUG2003 PRODUCT SPEC 108-1050 APPLICATION SPEC 114-1019	
MATERIAL	FINISH	WEIGHT	RESTRICTED TO
1	1	A2 00779 C=640468	-
CUSTOMER DRAWING		SCALE 1:1	SHEET 1 of 1 REV S

单击下面可查看定价，库存，交付和生命周期等信息

[>>TE Connectivity\(泰科\)](#)