

LOC	DIST	REVISIONS			
P	LTR	DESCRIPTION	DATE	DWN	APVD
CE	17	B	REVISE PER ECO-11-003087	11FEB11	JS JS

D

C

B

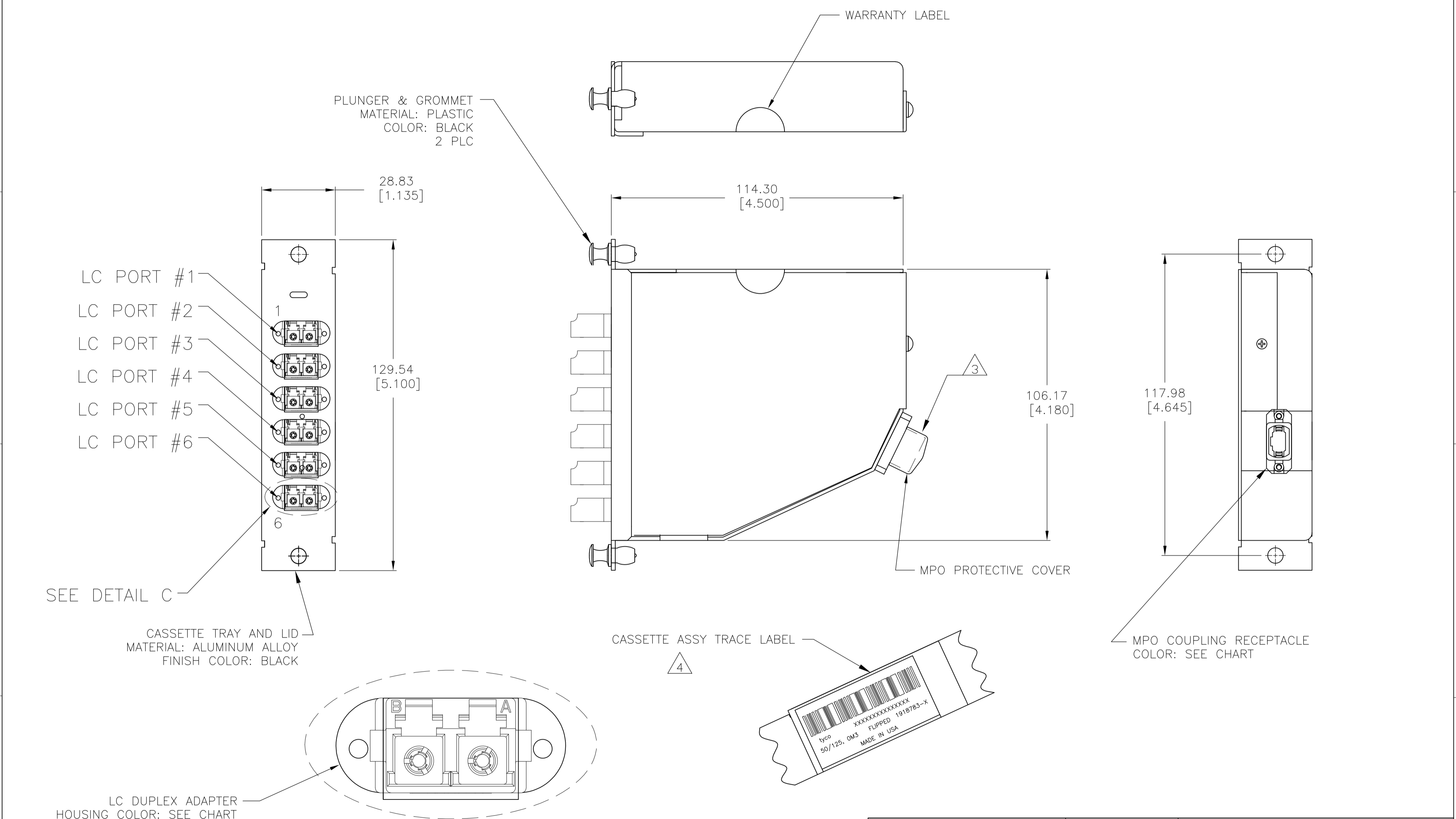
A

D

C

B

A



- LC PORT #1
- LC PORT #2
- LC PORT #3
- LC PORT #4
- LC PORT #5
- LC PORT #6

SEE DETAIL C

CASSETTE TRAY AND LID
 MATERIAL: ALUMINUM ALLOY
 FINISH COLOR: BLACK

LC DUPLEX ADAPTER
 HOUSING COLOR: SEE CHART
 6 PLC

DETAIL C
 TYP. 6 PLC.

CASSSETTE ASSY TRACE LABEL

MPO PROTECTIVE COVER

MPO COUPLING RECEPTACLE
 COLOR: SEE CHART

THIS DRAWING IS A CONTROLLED DOCUMENT.		DWN D. FENNELL 16MAR07	Tyco Electronics Corporation Harrisburg, PA 17105-3608	
DIMENSIONS: mm		CHK D. FENNELL 16MAR07	NAME CASSSETTE, 6 PORT, 50/125um, OM3, MPO TO LC, PAIRS FLIPPED	
TOLERANCES UNLESS OTHERWISE SPECIFIED:		APVD D. FENNELL 16MAR07	PRODUCT SPEC -	
0 PLC ± -		APPLICATION SPEC -		
1 PLC ± -		WEIGHT -		
2 PLC ± -		SIZE A2		
3 PLC ± -		CAGE CODE 00779		
4 PLC ± -		DRAWING NO 1918783		
ANGLES ± ± -		RESTRICTED TO -		
FINISH -		SCALE NTS		
MATERIAL -		SHEET 1 of 2		
		REV B		
		CUSTOMER DRAWING		


THIS DRAWING IS UNPUBLISHED. RELEASED FOR PUBLICATION
 © COPYRIGHT BY TYCO ELECTRONICS CORPORATION. ALL RIGHTS RESERVED.

LOC	DIST	REVISIONS			
P	LTR	DESCRIPTION	DATE	DWN	APVD
CE	17	SEE SHEET 1	-	-	-

- MAXIMUM CABLE ASSEMBLY INSERTION LOSS IS 1.00dB WHEN TESTED AT 850nm OR 1300nm.
- MINIMUM CABLE ASSEMBLY RETURN LOSS IS 23dB WHEN TESTED AT 850nm OR 1300nm.
- WHITE MARKING ON MPO TO BE FACING TOWARD TOP OF CONNECTOR MODULE. WHITE MARK INDICATES FIBER 1 SIDE
- SEE TRACE LABEL DETAIL
- A COPY OF CASSETTE ASSEMBLY LOSS TEST DATA WILL BE PLACED INSIDE OR WITH THE UNIT PACKAGE. CASSETTES WILL BE TESTED AT 850nm WAVELENGTH.
- PRODUCT AND PROCESSING MUST MEET REQUIREMENTS OF TYCO ELECTRONICS STANDARD TEC-138-702

FIBER PATH PAIRS FLIPPED		
LC/PC PORTS		MPO
INSIDE	OUTSIDE	
1A	1B	1
1B	1A	2
2A	2B	3
2B	2A	4
3A	3B	5
3B	3A	6
4A	4B	7
4B	4A	8
5A	5B	9
5B	5A	10
6A	6B	11
6B	6A	12

PER SPECIFICATION 107-1645-1

TE BAR CODE {  }

XXXXXXXXXXXXXXXXXXXXX } TE TRACE # - HUMAN READABLE

50/125, OM3, FLIPPED X-XXXXXXX-X } TE PART NO.

MADE IN XXXX

COUNTRY OF ORIGIN

4 TRACE LABEL DETAIL

AQUA SECURE	AQUA SECURE	1-1918783-1
SLATE SECURE	SLATE SECURE	1-1918783-0
ROSE SECURE	ROSE SECURE	1918783-9
VIOLET SECURE	VIOLET SECURE	1918783-8
BROWN SECURE	BROWN SECURE	1918783-7
ORANGE SECURE	ORANGE SECURE	1918783-6
YELLOW SECURE	YELLOW SECURE	1918783-5
BLUE SECURE	BLUE SECURE	1918783-4
GREEN SECURE	GREEN SECURE	1918783-3
RED SECURE	RED SECURE	1918783-2
BLACK STANDARD	AQUA STANDARD	1918783-1
MPO COUPLING BUSHING COLOR & TYPE	LC ADAPTER COLOR & TYPE	PART NUMBER

THIS DRAWING IS A CONTROLLED DOCUMENT.		DWN D. FENNEL 08NOV06	Tyco Electronics Corporation	
DIMENSIONS: mm		CHK D. FENNEL 08NOV06	Harrisburg, PA 17105-3608	
TOLERANCES UNLESS OTHERWISE SPECIFIED:		APVD D. FENNEL 08NOV06	NAME	
0 PLC ± -	1 PLC ± -	PRODUCT SPEC	CASSETTE, 6 PORT, 50/125um, OM3, MPO TO LC, PAIRS FLIPPED	
2 PLC ± -	3 PLC ± -	APPLICATION SPEC	SIZE	RESTRICTED TO
4 PLC ± -	ANGLES ± -	WEIGHT	A2 00779	-
MATERIAL	FINISH	CUSTOMER DRAWING	CAGE CODE	DRAWING NO
-	-	SCALE	00779	1918783
		SCALE	NTS	SHEET 2 of 2
		REV	B	

单击下面可查看定价，库存，交付和生命周期等信息

[>>TE Connectivity\(泰科\)](#)