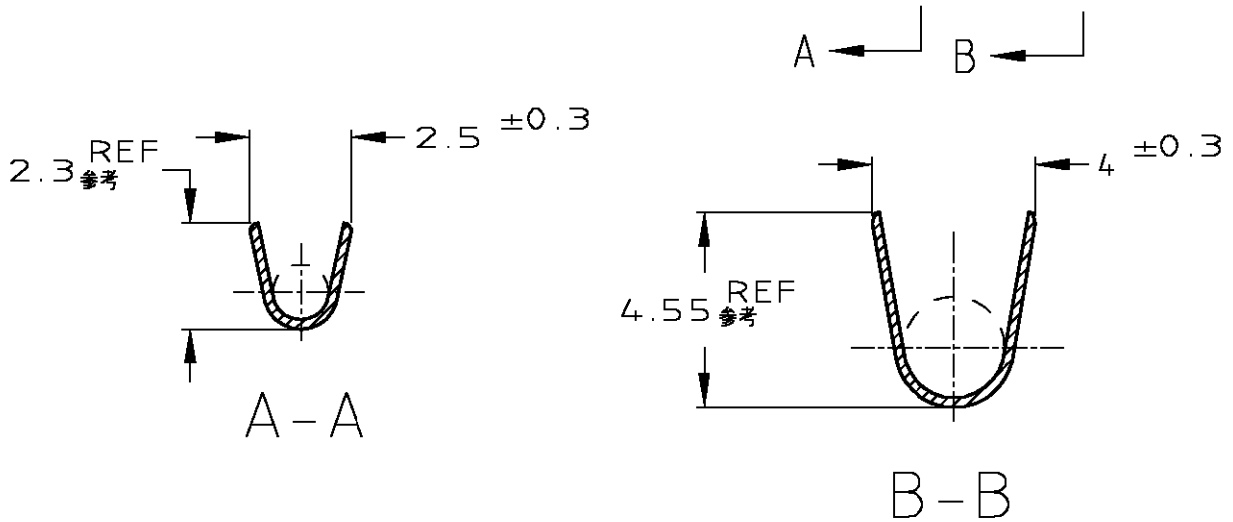
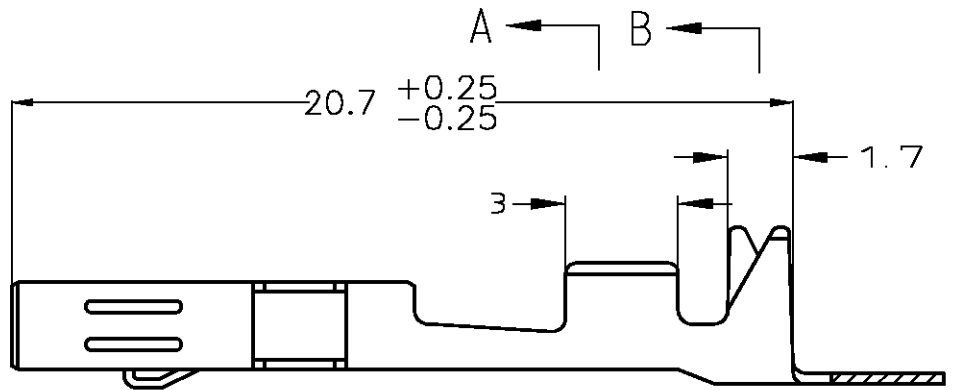
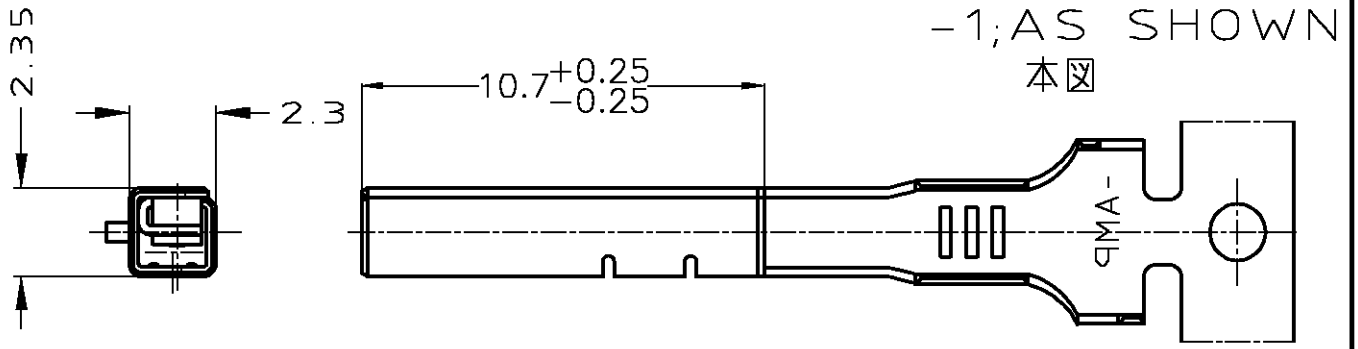


LOC	DIST	REVISIONS			DATE	DWN	APVD
J	—	P	LTR	DESCRIPTION			
		C		REVISED FJ00-0944-01	08MAY01	TS	KO



RELEASED FOR PUBLICATION ,070CT96

ALL RIGHTS RESERVED.

© COPYRIGHT 1996 BY TYCO ELECTRONICS CORPORATION.

THIS DRAWING IS UNPUBLISHED.

WIRE RANGE 包含電線断面積	INSULATION DIA 線徑外径
AVSS/CAVS0.3-0.85	φ1.4-2.0

DIMENSIONS: MM	DWN K.BETSUI 040CT96
TOLERANCES UNLESS OTHERWISE SPECIFIED:	CHK K.AOYAMA 040CT96
0 PLC ± 0.2	APVD K.ODA 040CT96
1 PLC ± 0.2	PRODUCT SPEC 108-5523
2 PLC ± 0.2	APPLICATION SPEC 114-5216
3 PLC ± 0.2	WEIGHT 0.5g
4 PLC ± 0.2	CUSTOMER DRAWING
ANGLES ± 1	

MATERIAL Cu ALLOY	FINISH PRE-TIN
Tyco Electronics AMP K.K. Kawasaki, Japan	
NAME .060 SERIES RECEPTACLE CONTACT	
SIZE A4	CAGE CODE 00779
DRAWING NO C-900293	RESTRICTED TO
SCALE 5:1	SHEET 1 OF 1
REV C	

单击下面可查看定价，库存，交付和生命周期等信息

[>>TE Connectivity\(泰科\)](#)