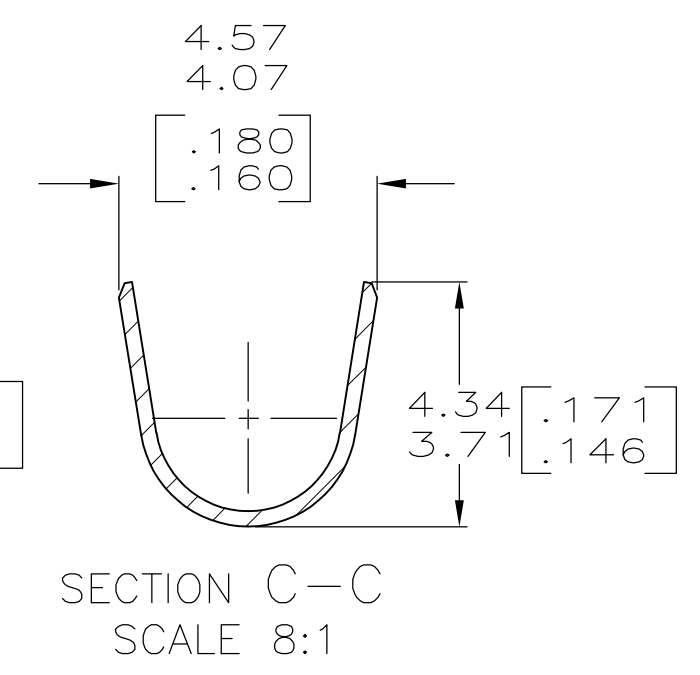
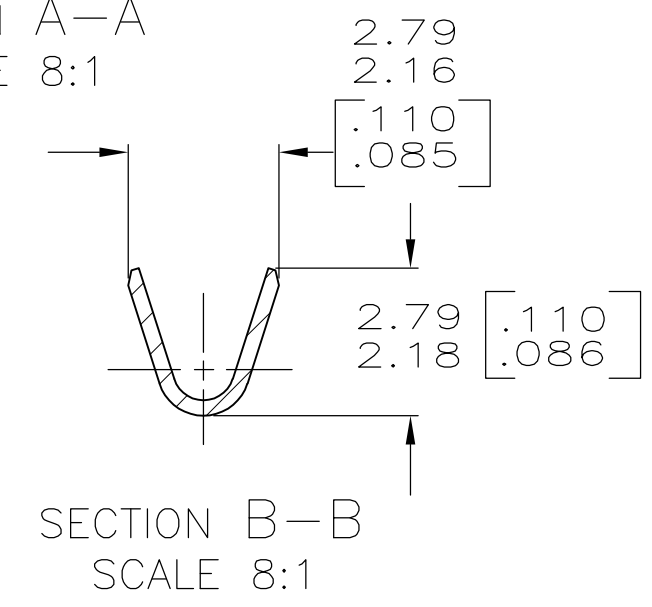
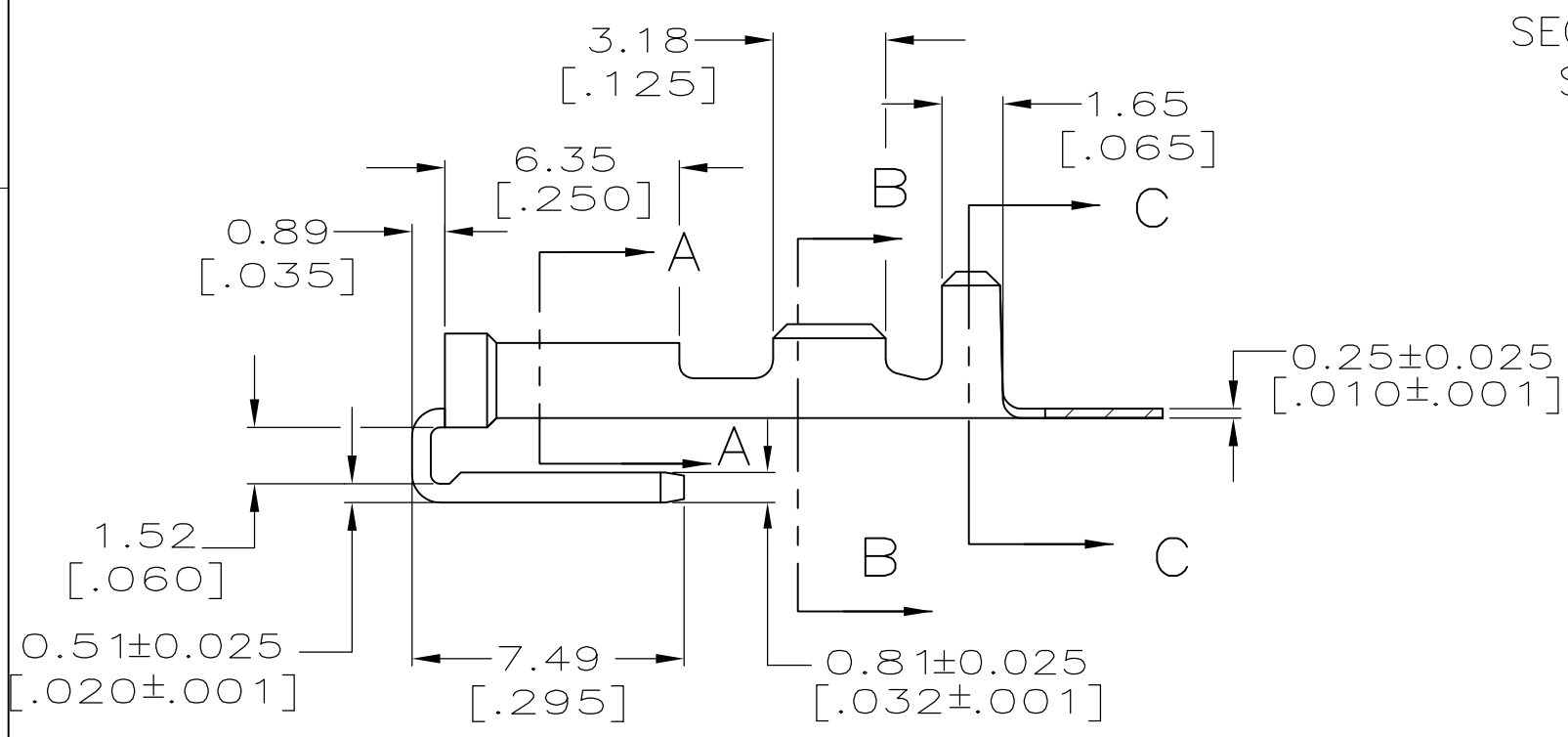
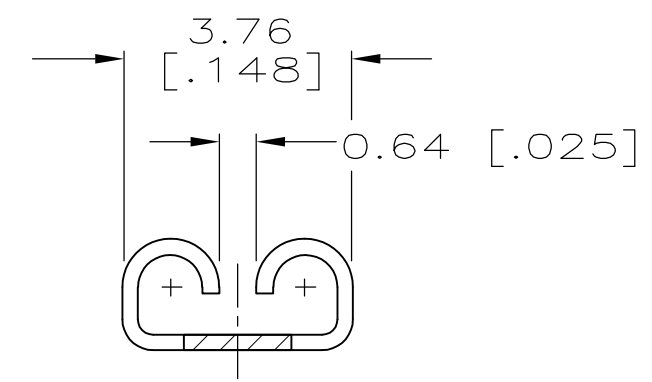
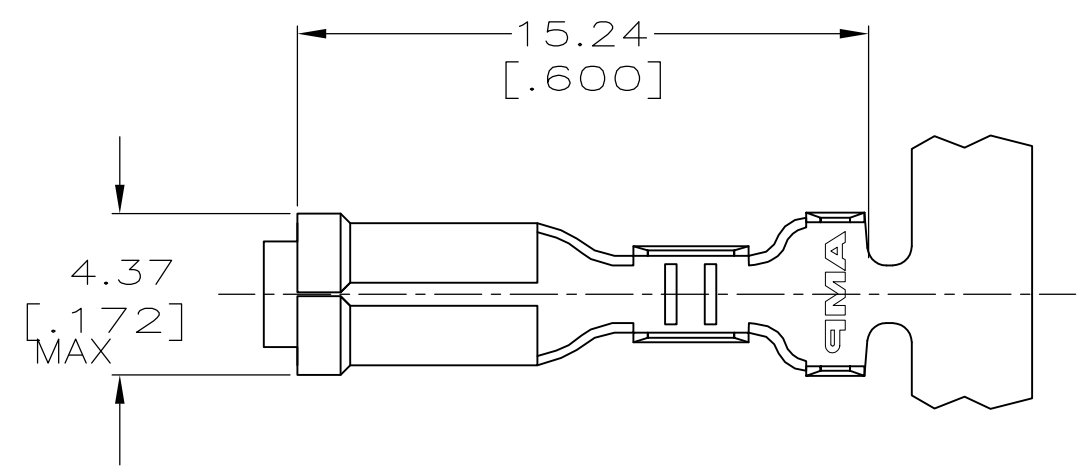


THIS DRAWING IS UNPUBLISHED. RELEASED FOR PUBLICATION  
 © COPYRIGHT - By - ALL RIGHTS RESERVED.

LOC	DIST	REVISIONS			
P	LTR	DESCRIPTION	DATE	DWN	APVD
AF	50	B	REVISED PER ECR-13-011489	16DEC2013	KH PD

- CONTINUOUS STRIP ON REELS.
- FIRST INSERTION 10 LBS MAX  
FIRST EXTRACTION 2 LBS MIN  
USE TEST TAB 62061-2.



2.03-3.05 DIA [.080-.120] DIA	[#22-#18] AWG	0.81±0.025 [.032±.001]	1217145-1
INSULATION RANGE	WIRE SIZE	MATING TAB THICKNESS	PART NO.

THIS DRAWING IS A CONTROLLED DOCUMENT.		DWN JR RUTH 18MAR99	<b>STE</b> TE Connectivity	
DIMENSIONS: mm [INCHES]		CHK MS FEHER 18MAR99		
TOLERANCES UNLESS OTHERWISE SPECIFIED:		APVD D BRATINA 18MAR99	NAME RECEPTACLE, FASTON, PIGGYBACK, 2.79 [.110] SERIES	
0 PLC ± - 1 PLC ± - 2 PLC ± 0.25 [.010] 3 PLC ± - 4 PLC ± - ANGLES ± -		PRODUCT SPEC -	APPLICATION SPEC -	
MATERIAL BRASS		FINISH 0.002032 [.000080] MIN TIN	114-2082	RESTRICTED TO -
		WEIGHT -	SIZE A3	CAGE CODE 00779
		CUSTOMER DRAWING	DRAWING NO C-1217145	REV B
		SCALE 5:1	SHEET 1 OF 1	

单击下面可查看定价，库存，交付和生命周期等信息

[>>TE Connectivity\(泰科\)](#)