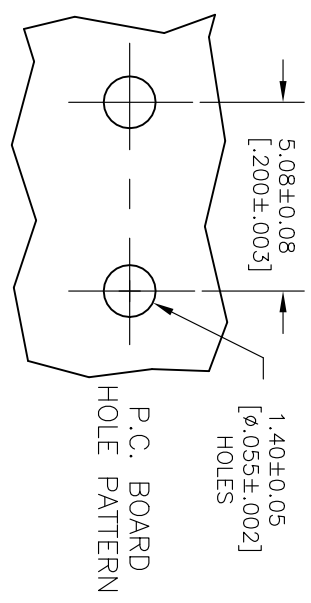
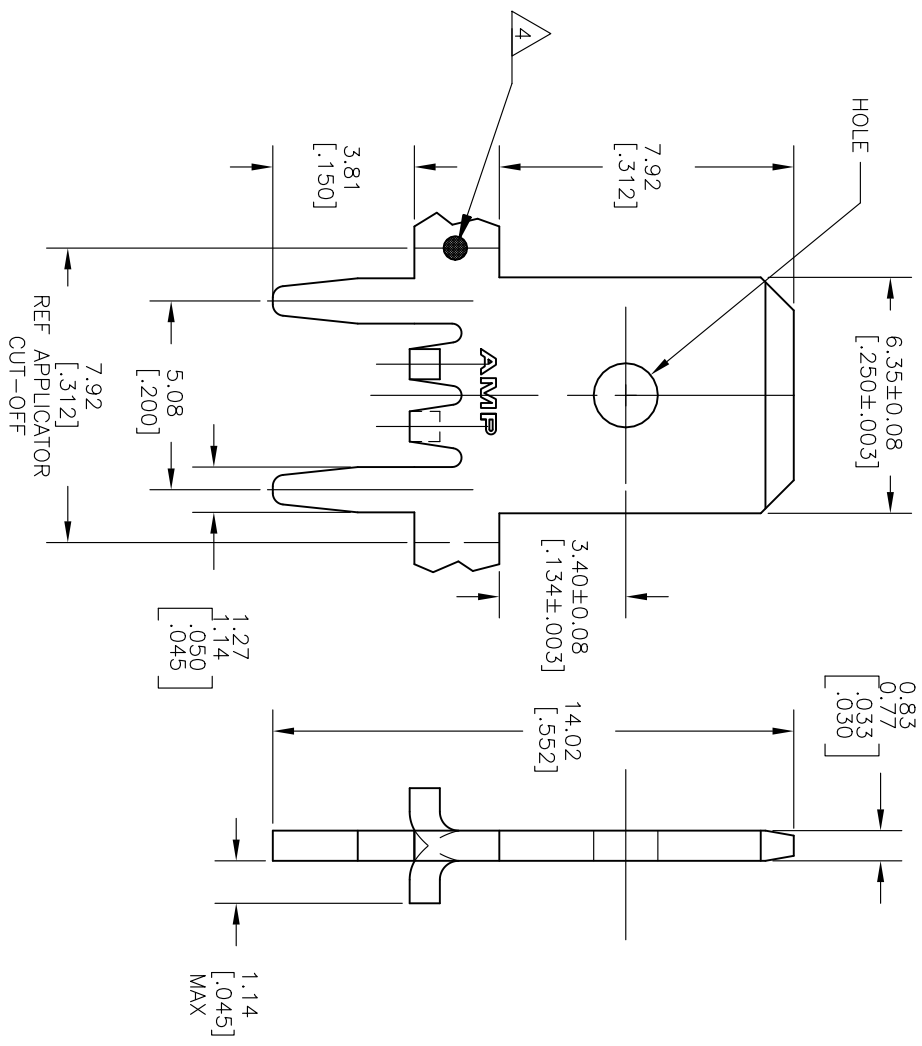


REVISIONS			
P	LR	DESCRIPTION	DATE
S		REVISED PER ECO--18-018731	30NOV2018
			RS
			LB



STANDARD	BRASS, SPECIAL HARD	63824-8
STANDARD	BRASS	63824-5
REVERSE	BRASS	63824-3
STANDARD	BRASS	63824-2
STANDARD	BRASS	63824-1
REELING	MATERIAL	PART NO.

THIS DRAWING IS A CONTROLLED DOCUMENT.		DMR	20FEB01	JUR RUTH
DIMENSIONS: INCHES		CHK	20FEB01	MS FEHER
TOLERANCES UNLESS OTHERWISE SPECIFIED:		APD	20FEB01	N DELBERT
0 P/C ±		PRODUCT SPEC		
1 P/C ±		APPLICATION SPEC		
2 P/C ± 0.28 [010]		WEIGHT	114-2115	
3 P/C ±		CUSTOMER DRAWING		
4 P/C ±		SIZE	A3	
FINISH		CAGE CODE	00779	
MATERIAL		DRAWING NO	63824	
SEE TABLE		SCALE	8:1	
		SHEET	1 of 1	
		REV	S	

单击下面可查看定价，库存，交付和生命周期等信息

[>>TE Connectivity\(泰科\)](#)