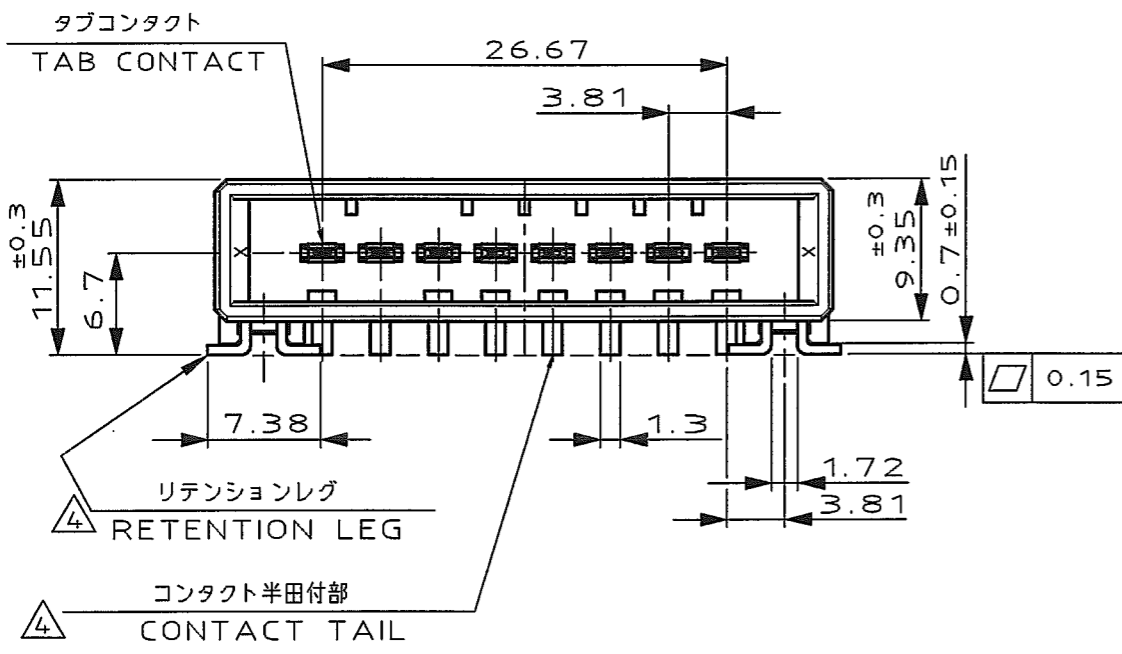
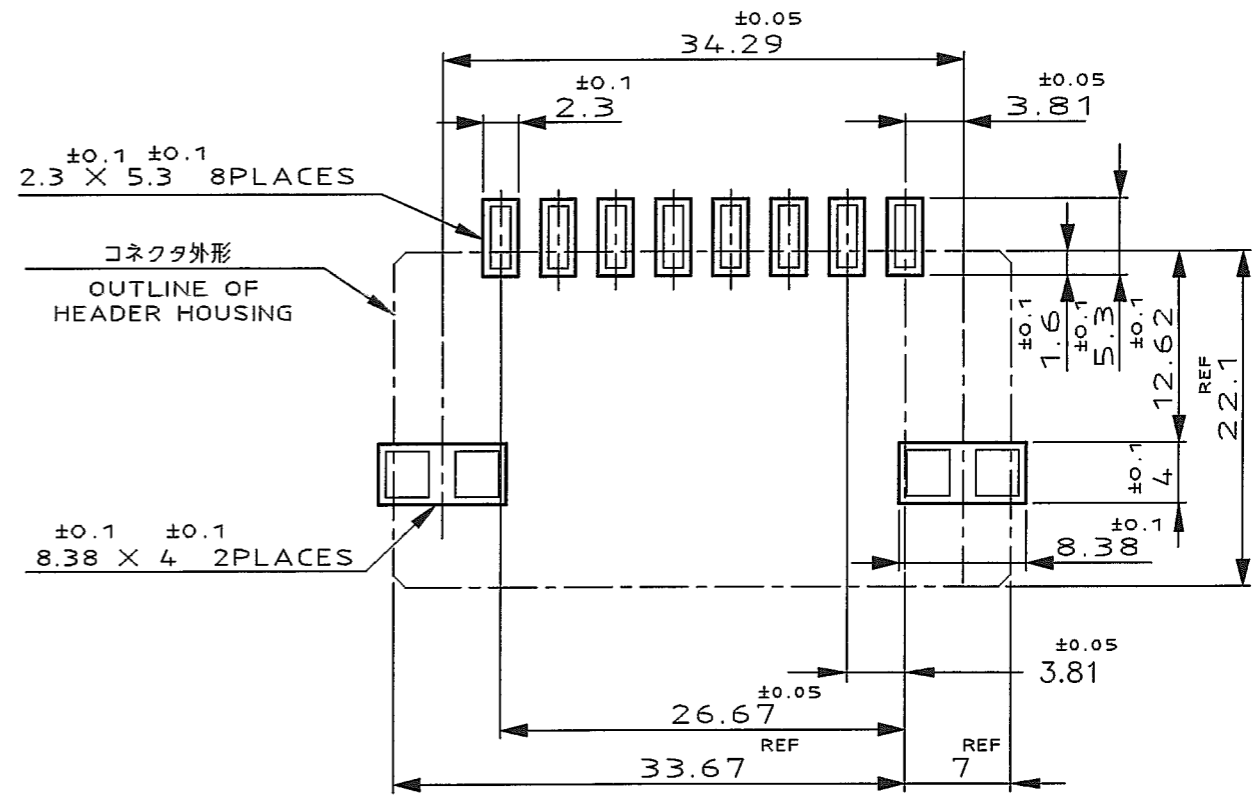
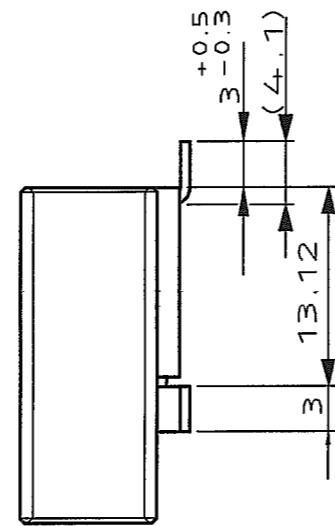
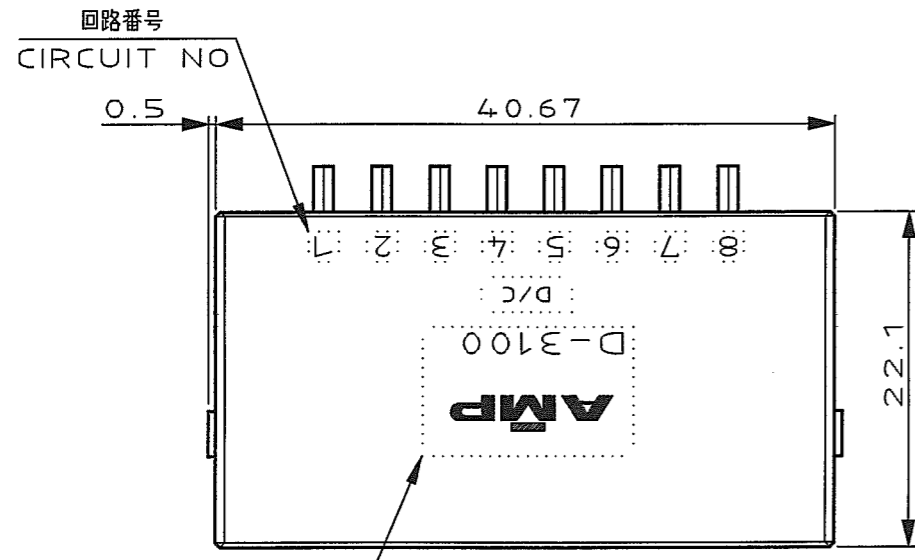


NUMBER 179188  
 3rd ANGLE PROJECTION  
 METRIC  
 PROJ NO.393-611  
 DIMENSIONS IN MILLIMETERS. DO NOT SCALE PRINT  
 PRINT DIST  
 AMP-J REV.10/83



推奨基板取付け寸法  
 (非累積公差)  
 (コネクタ搭載面)  
 RECOMEND BOARD PATTERN  
 (NOT ACCUMULATE TOLERANCE)  
 (CONNECTOR MOUNT SIDE)

NOTES

1. MATERIAL:HOUSING:GLASS FILED THERMO PLASTIC,UL94V-0  
 CONTACT:COPPER ALLOY  
 RETENTION LEG:COPPER ALLOY
2. FINISH(CONTACT AREA):0.38μmMIN GOLD PLATING OVER NI PLATING
3. FINISH(CONTACT AREA):0.76μmMIN GOLD PLATING OVER NI PLATING
4. FINISH(RETENTION LEG): TIN PLATED (SOLDER TYING) OVER NICKEL

注記

1. 材料:ハウジング:ガラス入り熱可塑性樹脂,UL94V-0  
 コンタクト:銅合金  
 リテンションレグ:銅合金
2. めっき:コンタクト接触部:ニッケル下地の上に金めっき0.38μmMIN
3. めっき:コンタクト接触部:ニッケル下地の上に金めっき0.76μmMIN
4. めっき:リテンションレグとコンタクト半田付部:ニッケル下地の上にスズめっき

△4	△3	1-179188-3
△4	△2	1-179188-2
(FINISH)	製品番号 (PART NO.)	

A	REVISED	FJD0-0039-03	TS	SM	6/2/93
0	RELEASED	FJ00-0450-93	NM	SM	8/20/93
LTR	REVISION RECORD		DR	CHK	DATE

Copyright © 1993  
 AMP(Japan) LTD.  
 ALL RIGHTS RESERVED.

**tyco**  
 Electronics

Tyco Electronics AMP K.K.  
 Kawasaki, Japan

WIRE RANGE	INSULATION DIA	NAME
mm(AWG - )	mmφ	8 POS SINGLE ROW SMT TYPE HORIZONTAL HDR ASS'Y FOR DYNAMIC 3100
MATERIAL SEE NOTE 注記参照	FINISH SEE NOTE 注記参照	一般公差 (GENERAL TOLERANCE)
DR. 18 AUG 93 N. Matsubara	DE. 18 AUG 93 N. Matsubara	SIZE A3
CHK. S. MANABE	APP. S. MANABE	LOC J
		NUMBER C-179188
		SCALE 2-1
		REV. A
		SHEET 1 OF 1

单击下面可查看定价，库存，交付和生命周期等信息

[>>TE Connectivity\(泰科\)](#)