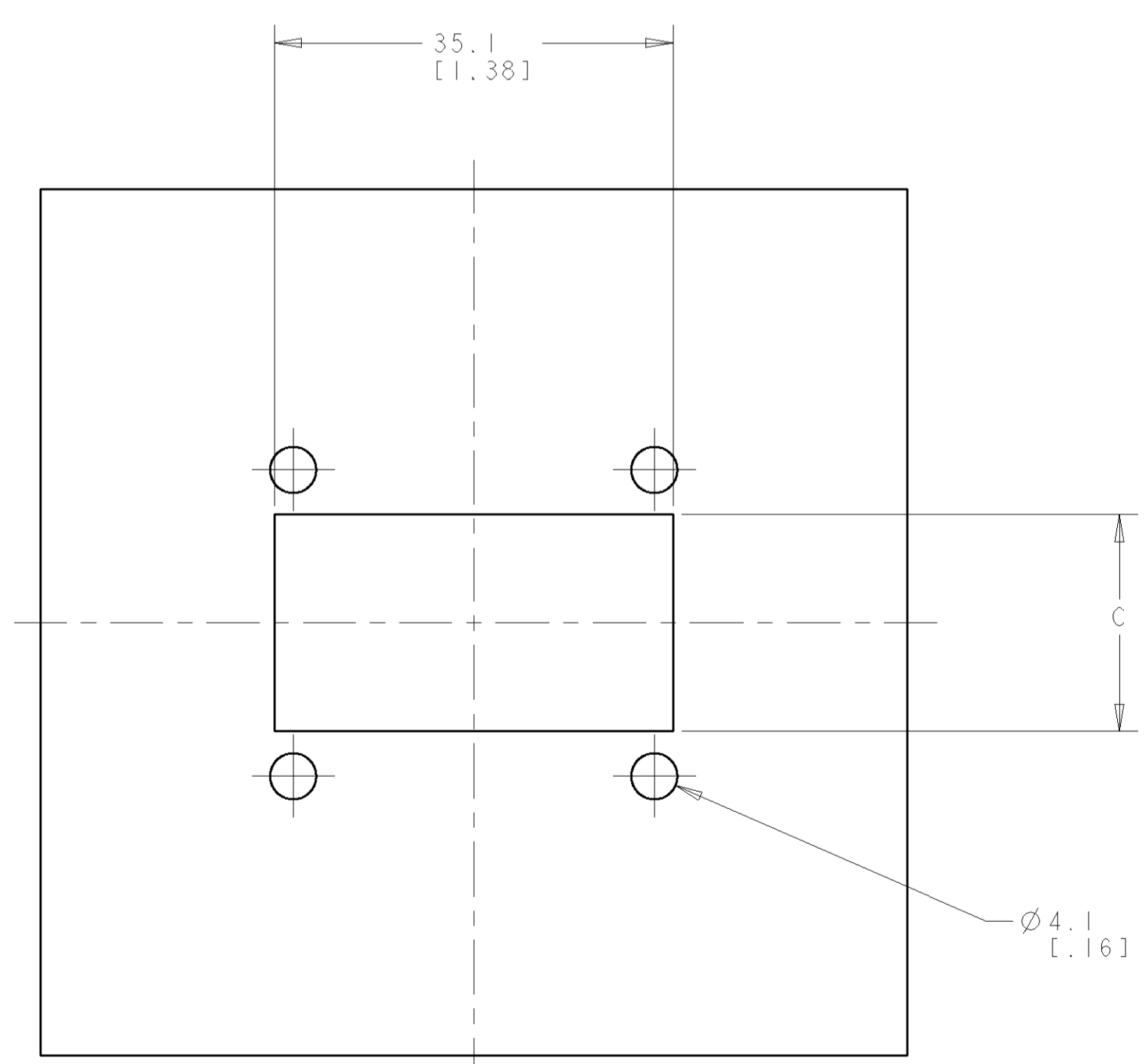
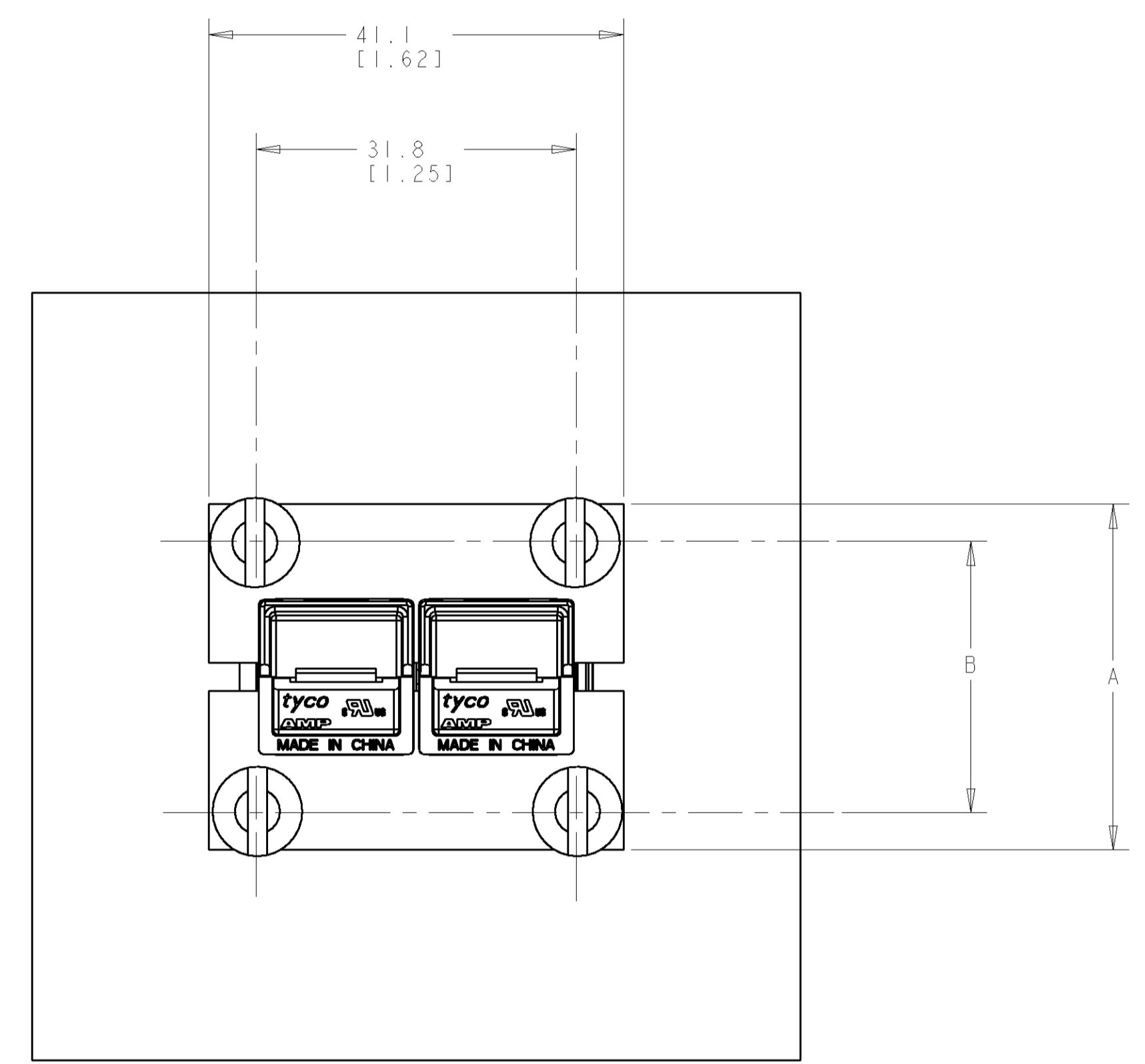
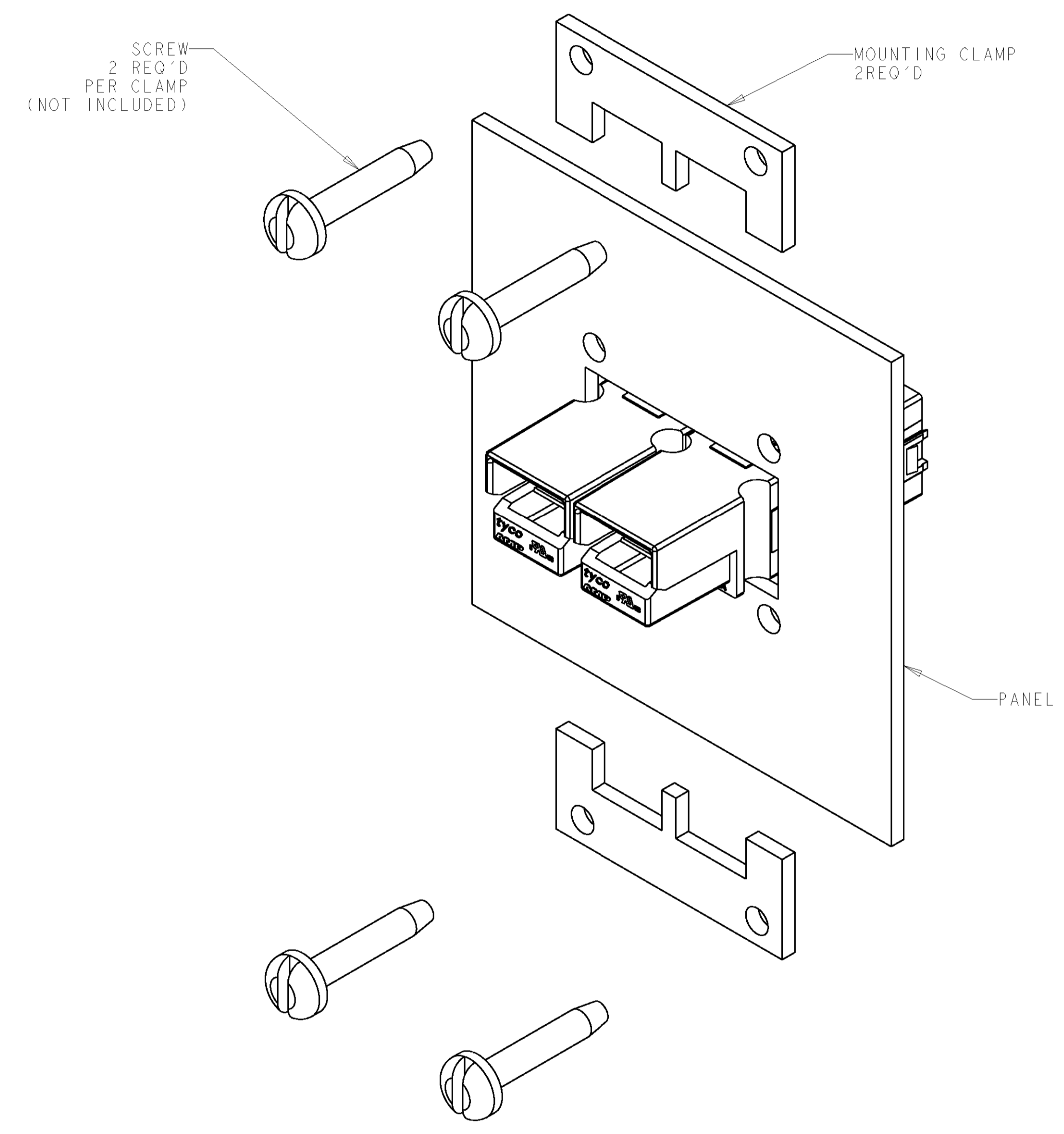


LOC	DIST	REVISIONS			
P	LTR	DESCRIPTION	DATE	DWN	APVD
-1		PRE-RELEASED	13JAN2003	KW	JE
0		REVISED PER 0638-0595-03	12SEP05	KW	JE



PANEL CUTOUT DIMENSIONS

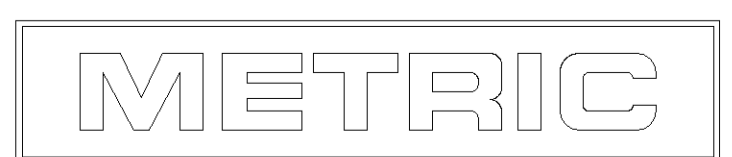


1. MOUNTING CLAMPS SOLD IN PAIRS, SCREWS NOT INCLUDED.

35.1 [1.38]	42.7 [1.68]	50.3 [1.98]	4
19.0 [0.75]	26.9 [1.06]	34.5 [1.36]	2
C	B	A	NO OF POLES

1 BOX	647716-2
1 PAIR	647716-1
QTY / UNIT OF MEASUREMENT	PART NUMBER

<small>THE DIMENSIONS IN THIS DRAWING ARE UNLESS OTHERWISE SPECIFIED TO THE DIMENSIONS OF THE PARTS MANUFACTURED BY THE ORGANIZATION WHOSE NAME IS SHOWN ON THE DRAWING.</small>		DWN B. WHITAKER 13JAN2003	Tyco Electronics Harrisburg, PA 17105-3608
DIMENSIONS: mm [INCHES]		CHK J. ELLIS 13JAN2003	
TOLERANCES UNLESS OTHERWISE SPECIFIED: 0 PLC ± 1 PLC ±0.5 [0.02] 2 PLC ± 3 PLC ± 4 PLC ± ANGLES ±		APVD J. ELLIS 13JAN2003	NAME AMP POWER SERIES 75, MOUNTING CLAMP, 2 AND 4 POLE
MATERIAL AL 2.3 [0.09] THK		FINISH -	PRODUCT SPEC - APPLICATION SPEC - WEIGHT - CUSTOMER DRAWING
SCALE 2:1		SIZE CAGE CODE DRAWING NO A1 00779 C=647716	RESTRICTED TO - SHEET 1 OF 1 REV 0



单击下面可查看定价，库存，交付和生命周期等信息

[>>TE Connectivity\(泰科\)](#)