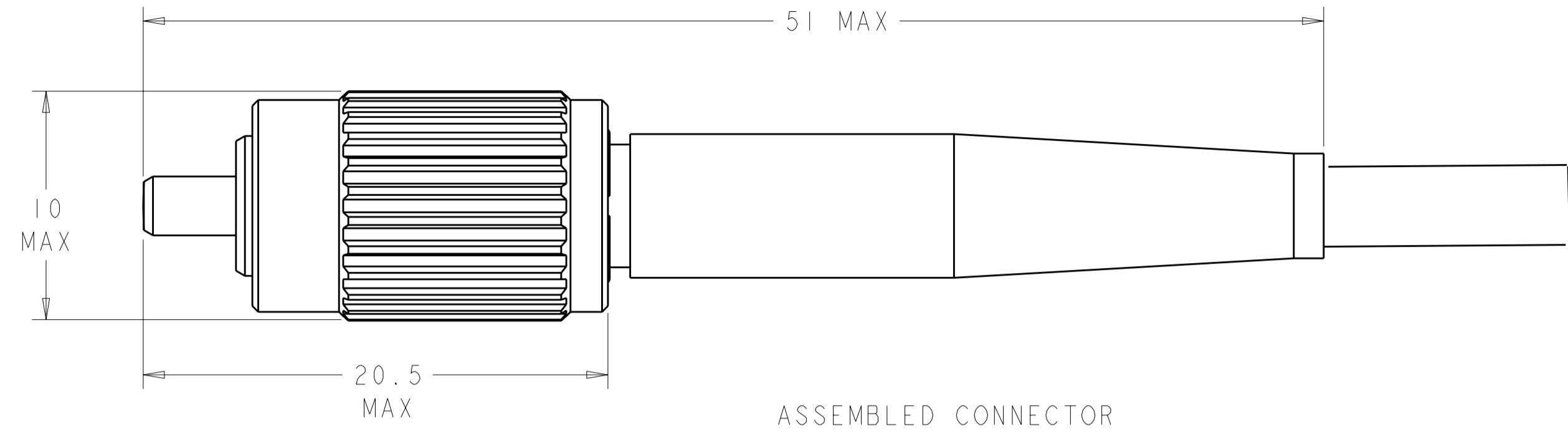


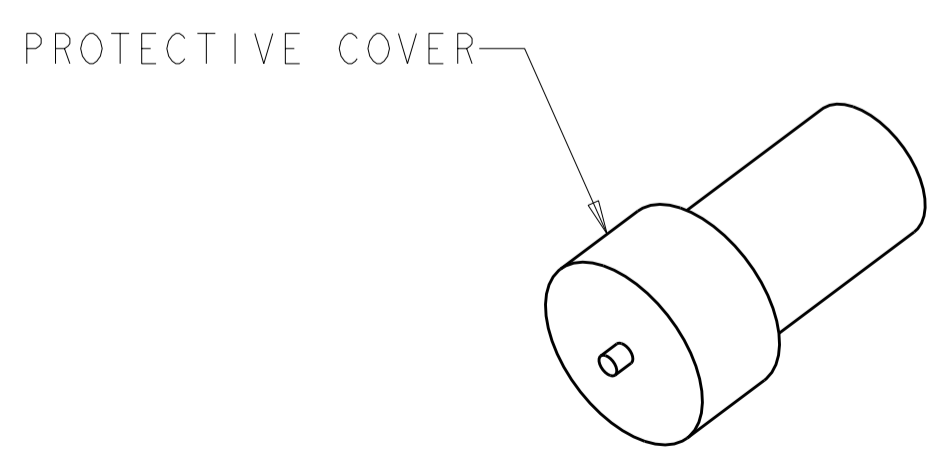
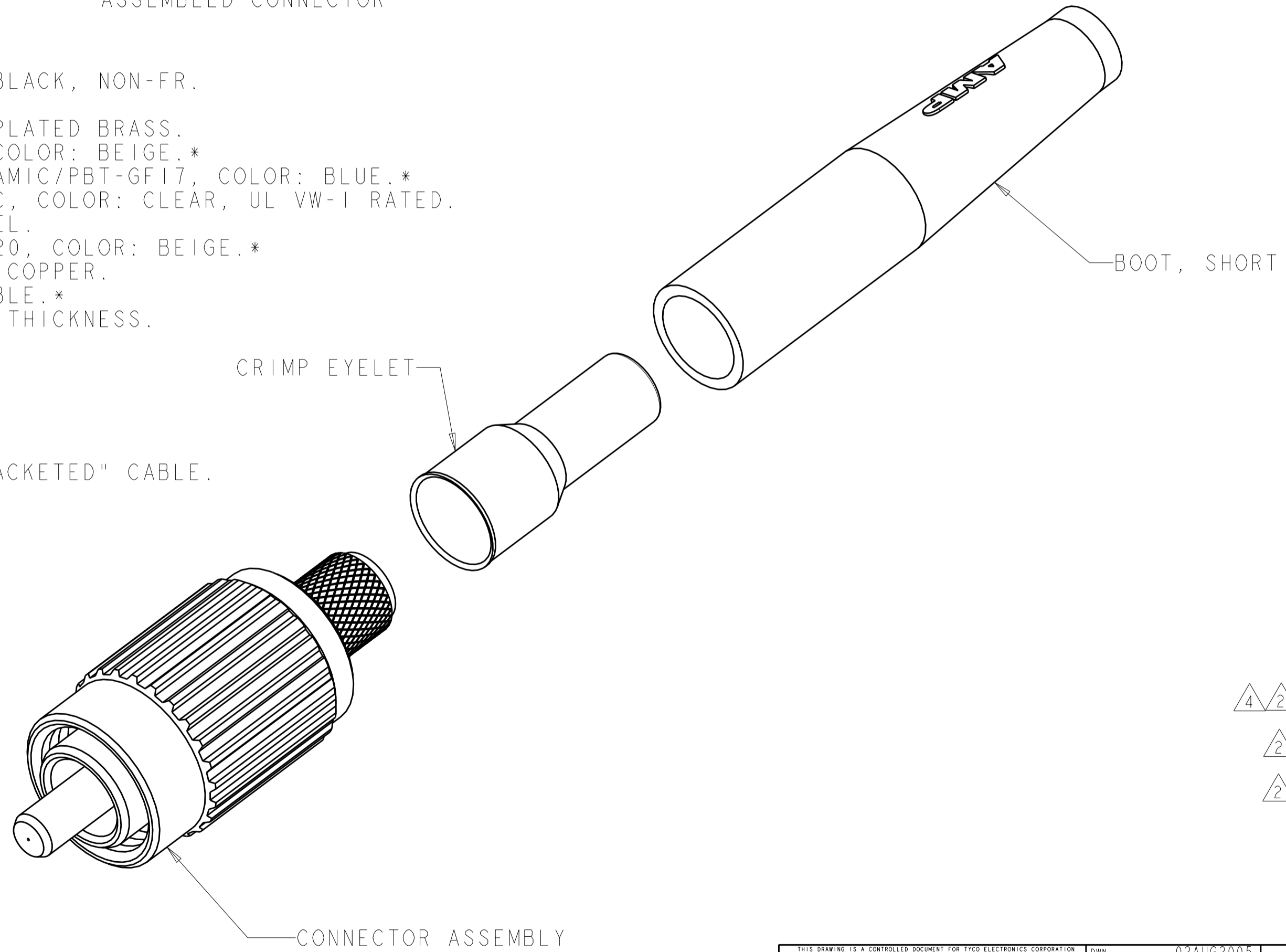
THIS DRAWING IS UNPUBLISHED. RELEASED FOR PUBLICATION 20
 © COPYRIGHT 20 BY TYCO ELECTRONICS CORPORATION. ALL RIGHTS RESERVED.

LOC	DIST	REVISIONS			
P	LTR	DESCRIPTION	DATE	DWN	APVD
CE	00	A	RELEASE TO ACTIVE	07JUN2006	BB SM



- 1 MATERIAL:
 PROTECTIVE COVER: LDPE, BLACK, NON-FR.
 CONNECTOR SUB-ASSEMBLY:
 COUPLING NUT: NICKEL PLATED BRASS.
 PLUG BODY: PPS-GF40, COLOR: BEIGE.*
 FERRULE ASSEMBLY: CERAMIC/PBT-GF17, COLOR: BLUE.*
 EPOXY-FILL TUBING: PVC, COLOR: CLEAR, UL VW-1 RATED.
 SPRING: STAINLESS STEEL.
 RETAINER BODY: PES-GF20, COLOR: BEIGE.*
 CRIMP EYELET: TIN PLATED COPPER.
 BOOT: TPE, COLOR: SEE TABLE.*
 *UL94 V-0 RATED AT QUALIFYING THICKNESS.

- 2 BULK PACKAGE.
 3. TO BE USED WITH 3.0mm "LOOSE JACKETED" CABLE.
 4 CONTAINS NO EYELET OR BOOT.



4	2		
		-	5504649-9
	2	BLUE	5504649-8
	2	YELLOW	5504649-5
		YELLOW	5504649-4
		BLUE	5504649-1
		BOOT COLOR	PART NUMBER

THIS DRAWING IS A CONTROLLED DOCUMENT FOR TYCO ELECTRONICS CORPORATION. IT IS SUBJECT TO CHANGE AND THE CONTROLLING ENGINEERING ORGANIZATION SHOULD BE CONTACTED FOR THE LATEST REVISION.

DWN	B. BRIGGS	02AUG2005	Tyco Electronics Harrisburg, PA 17105-3608
CHK	S. MILLER	02AUG2005	
APVD	S. BUCHTER	02AUG2005	
PRODUCT SPEC			
APPLICATION SPEC			NAME
WEIGHT			CONNECTOR KIT, SINGLEMODE, FC, 3.0mm
CUSTOMER DRAWING	SCALE	5:1	RESTRICTED TO
	SIZE	A2	
	CAGE CODE	00779	
	DRAWING NO	5504649	
	SHEET	1	REV
	OF	1	A

单击下面可查看定价，库存，交付和生命周期等信息

[>>TE Connectivity\(泰科\)](#)