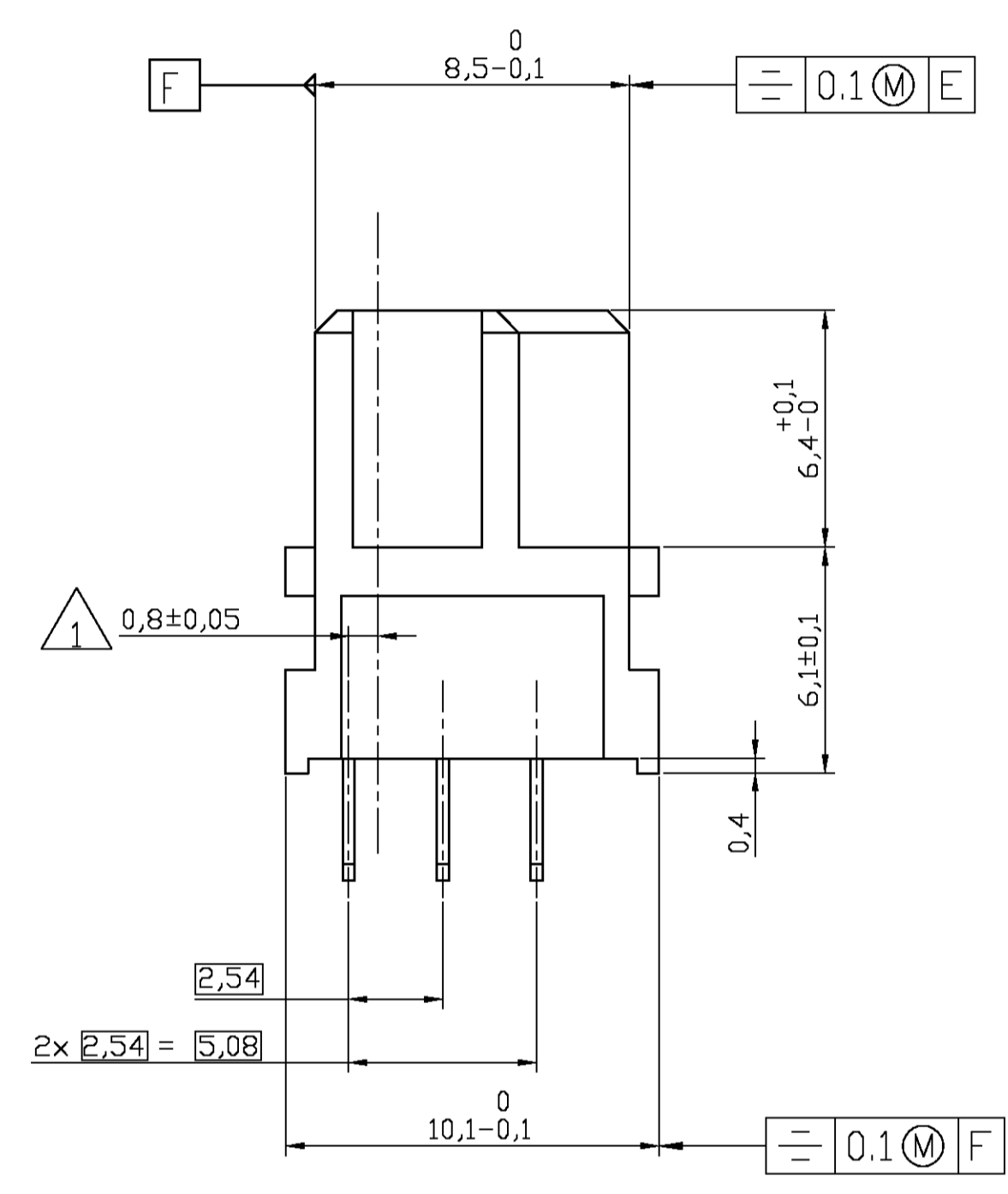
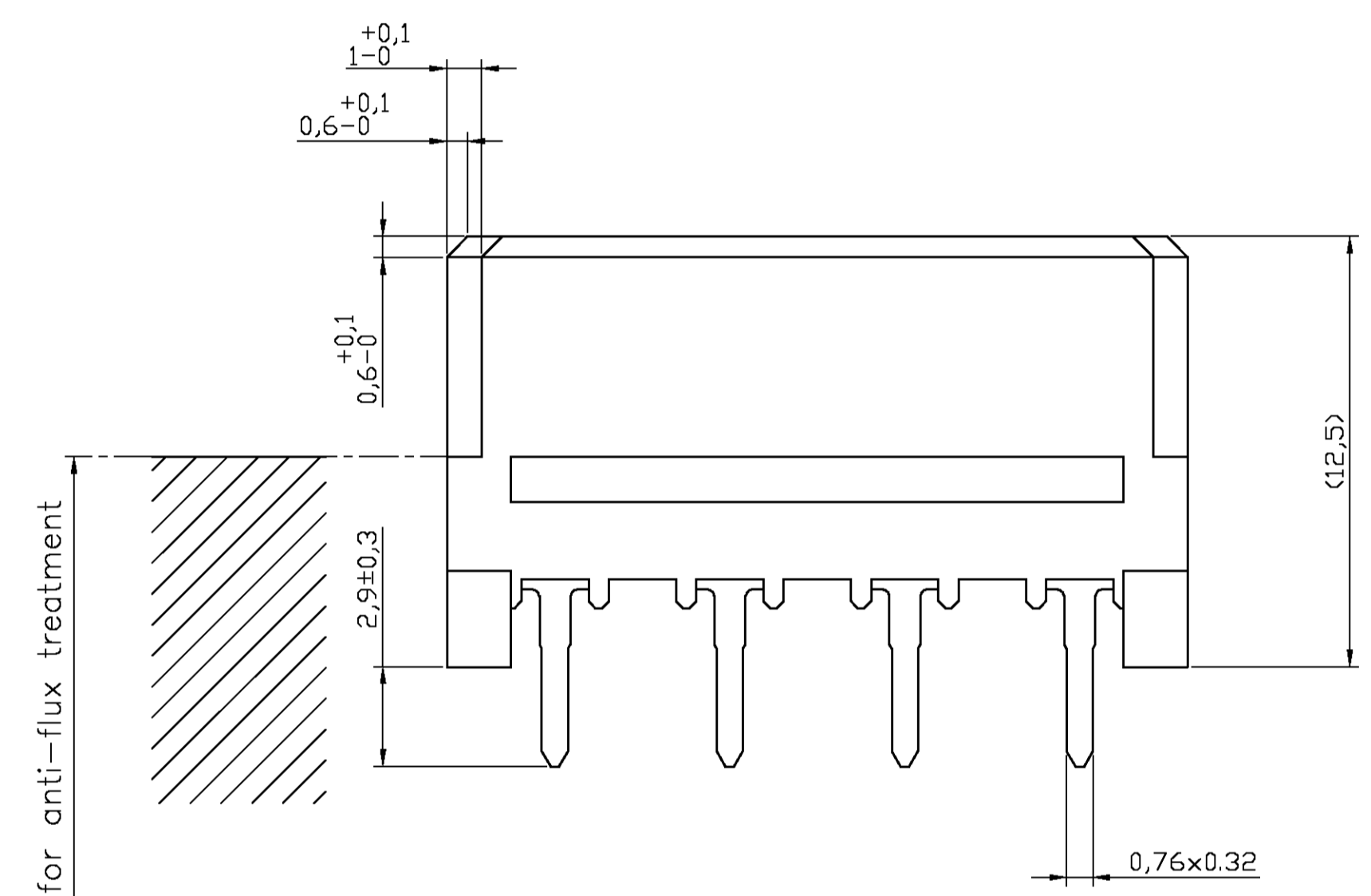


Loading Pattern (12 contacts)

	1	2	3	4	5	6	7
Row a	+	o	+	o	+	o	+
Row b	+	o	+	o	+	o	+
Row c	+	o	+	o	+	o	+

+ = contact  
o = no contact

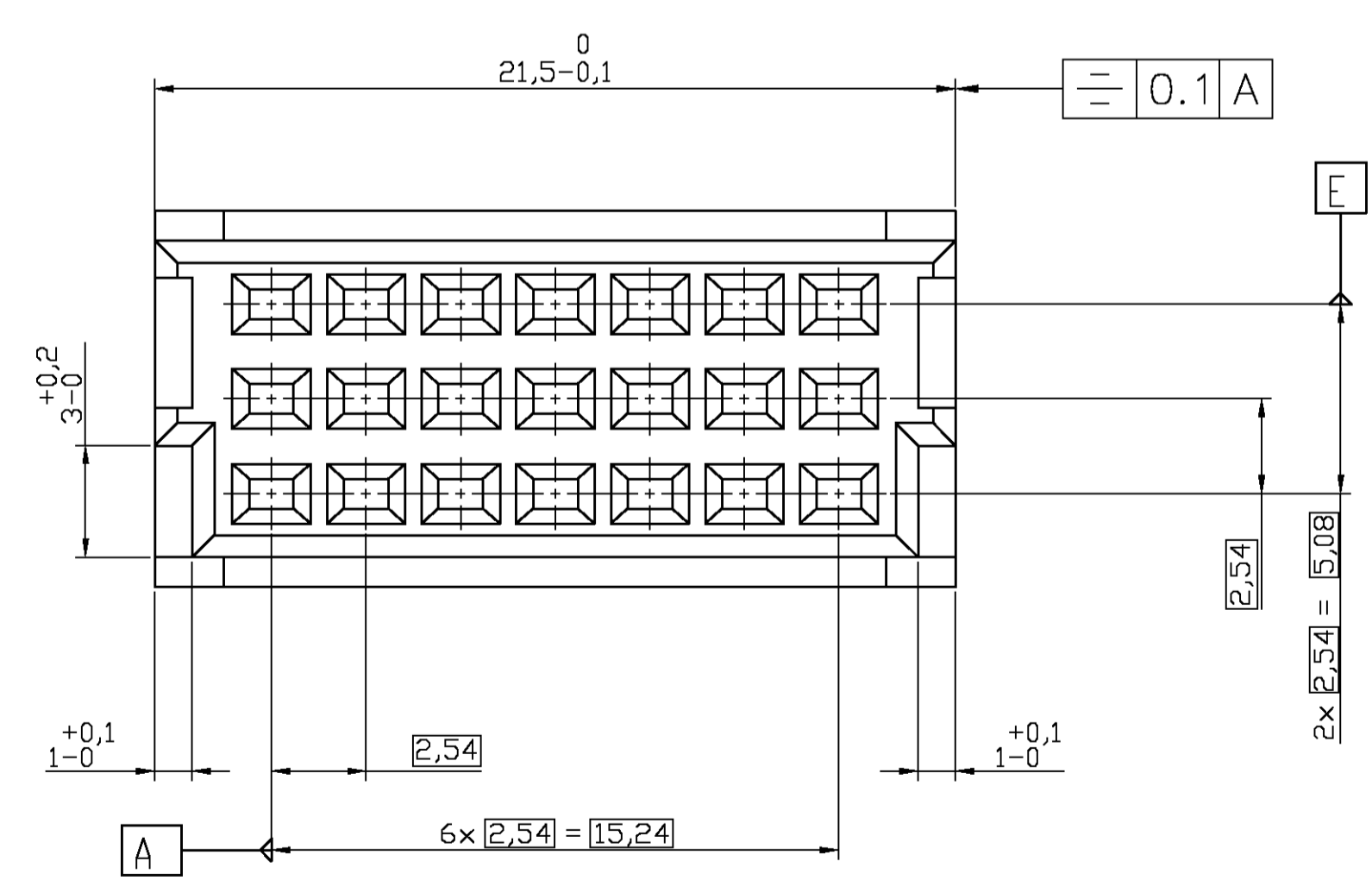


Specifications acc. IEC 603-2. Performance Level 2

Housing : PBTP 30% Glasfilled (UL94-V0)  
 Pebblegrey similar RAL 7032

Contact material : Copper Alloy  
 Plating : Contact area : PdNi+Au or Au  
 Termination area : Sn  
 with flux-tight coating.

⚠ Center-displacement between termination- and contact-side.



Active Partnumber. Contact Tyco Electronics for other configuration availability

Old Partnumber	Tyco Part-number
V42254-F2299-R8	1982300-1

THIS DRAWING IS A CONTROLLED DOCUMENT.		DIN J.LOONEN 25JAN07		Tyco Electronics Corporation	
DIMENSIONS: mm		GIK B.MOOIJ 25JAN07		's-Hertogenbosch.522AR-32	
TOLERANCES UNLESS OTHERWISE SPECIFIED:		APVD J.BROEKSTEEG 25JAN07	EUROCARD RECEPTACLE ASS'Y, TYPE R21/12 POS		
0 PLC ± -	1 PLC ± 0.1	PRODUCT SPEC			
2 PLC ± 0.05	3 PLC ± -	APPLICATION SPEC			
4 PLC ± -	ANGLES ± 1	SIZE CAGE CODE DRAWING NO			
MATERIAL -	FINISH -	WEIGHT -	A1 00779	1982300-1	RESTRICTED TO
CUSTOMER DRAWING		SCALE 1:5		SHEET 1 OF 1	REV A

单击下面可查看定价，库存，交付和生命周期等信息

[>>TE Connectivity\(泰科\)](#)