

THIS DRAWING IS UNPUBLISHED.

RELEASED FOR PUBLICATION

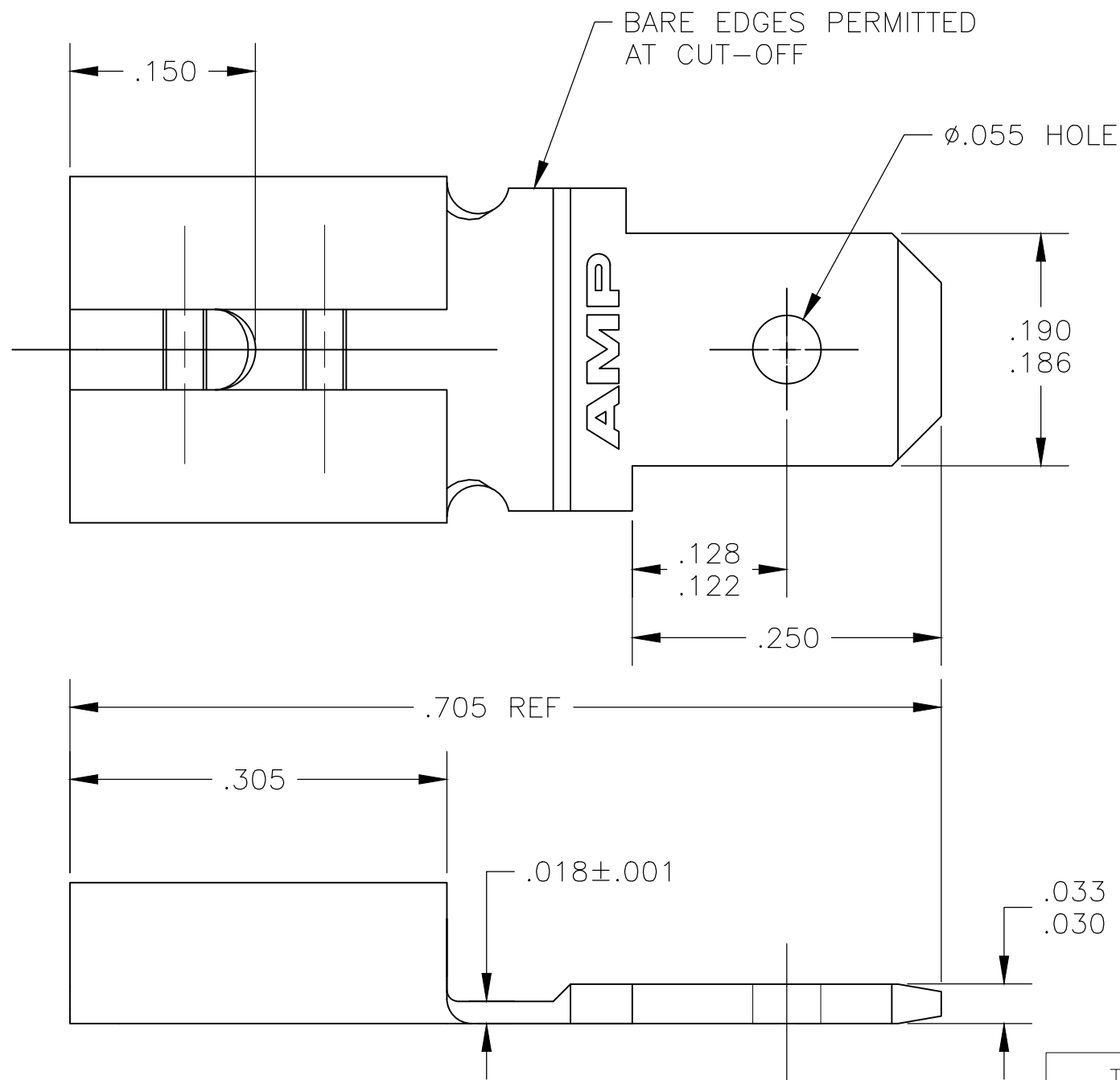
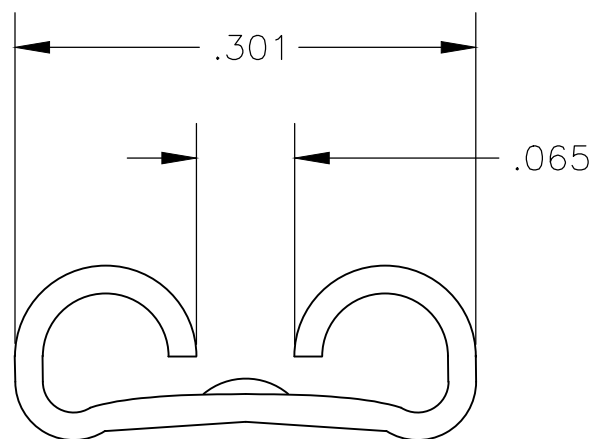
REVISIONS

© COPYRIGHT - By -

ALL RIGHTS RESERVED.

P	LTR	DESCRIPTION	DATE	DWN	APVD
	B1	REVISED PER ECO-19-011732	29JUL2019	RS	DH

- 1 SUPPLIED IN LOOSE PIECE
- 2 MATING TAB THK IS $.032 \pm .001$



TIN PLATED	1742597-2
---	1742597-1
FINISH	PART NO

THIS DRAWING IS A CONTROLLED DOCUMENT.		DWN	JR RUTH	11MAY07	STE TE Connectivity		
DIMENSIONS: INCHES		CHK	P DESANTIS	11MAY07			
TOLERANCES UNLESS OTHERWISE SPECIFIED:		APVD	P DESANTIS	11MAY07	NAME		
0 PLC ± -		PRODUCT SPEC		ADAPTER, FASTON, .250 SERIES RECPT WITH A .187 SERIES TAB			
1 PLC ± -		APPLICATION SPEC		-			
2 PLC ± -		SIZE	A3	CAGE CODE	00779	DRAWING NO	C-1742597
3 PLC ± .010		WEIGHT		0.000000		RESTRICTED TO	
4 PLC ± -		CUSTOMER DRAWING					
ANGLES ± 1°		SCALE		8:1		SHEET 1 OF 1	
FINISH -		REV		B1			
MATERIAL BRASS							

单击下面可查看定价，库存，交付和生命周期等信息

[>>TE Connectivity\(泰科\)](#)