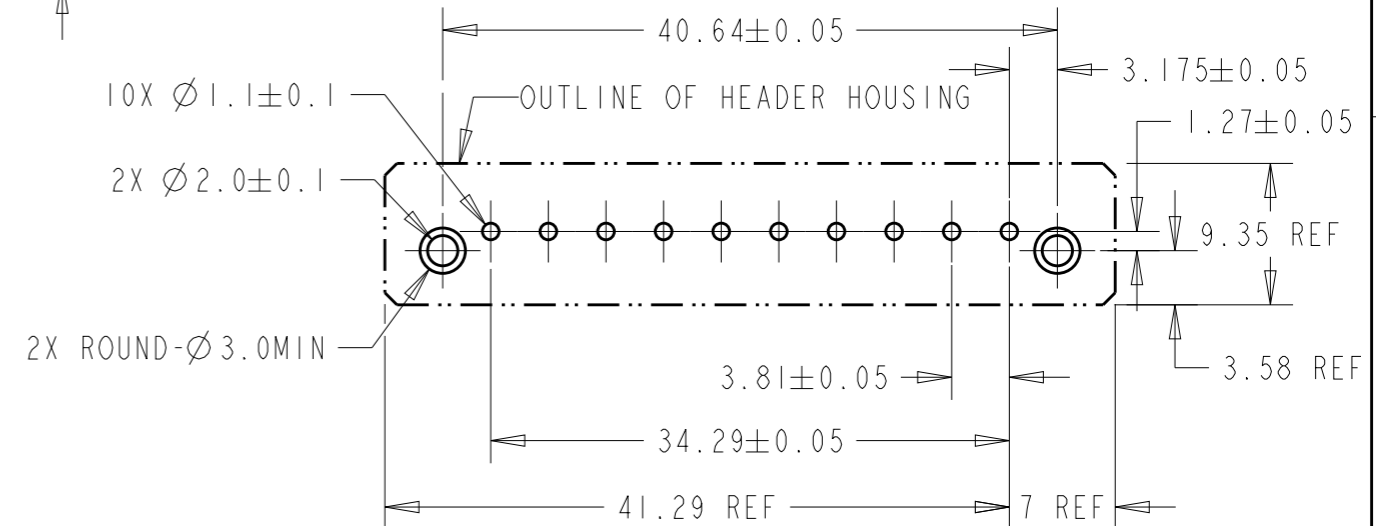
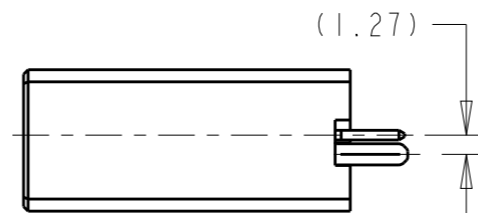
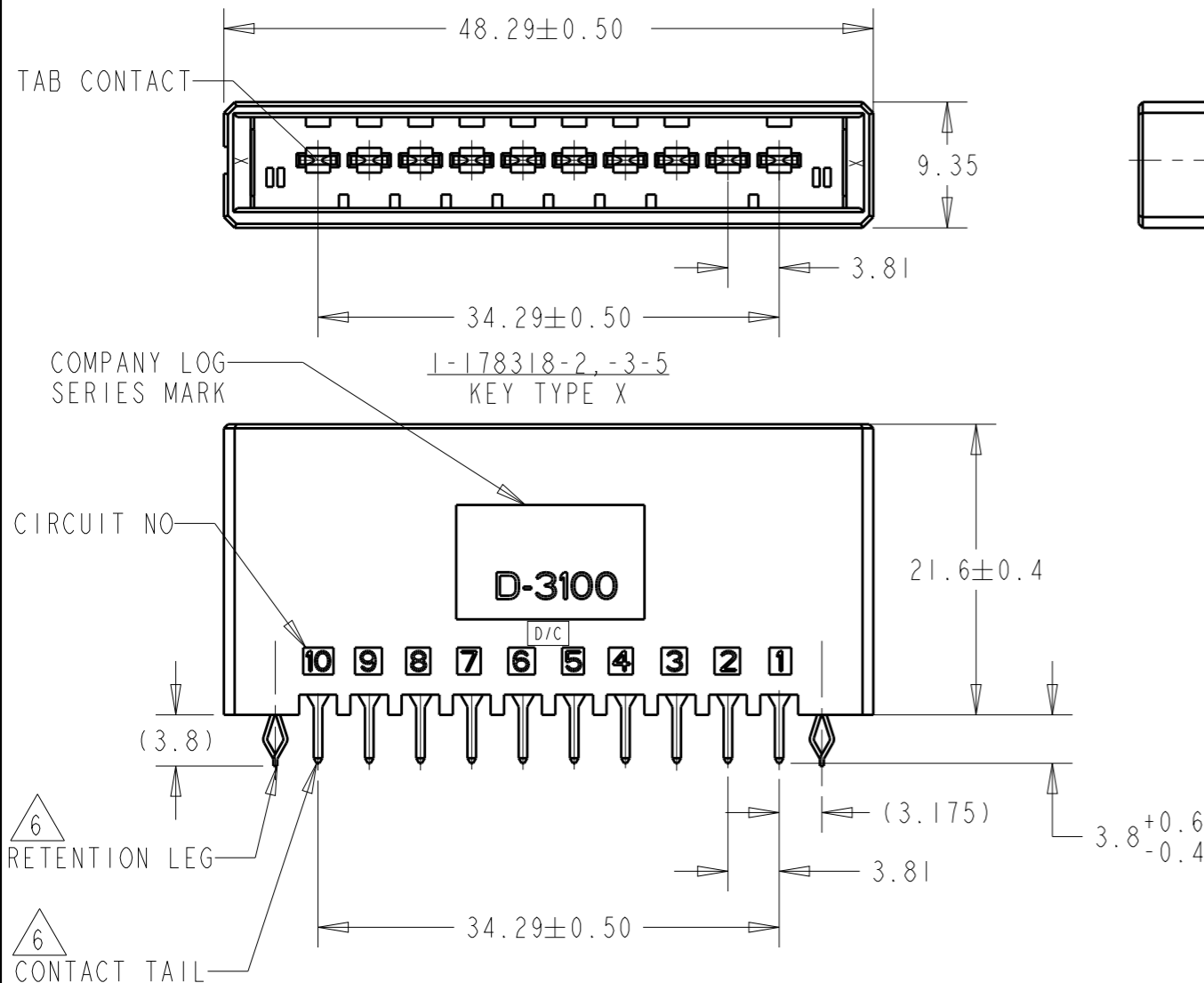
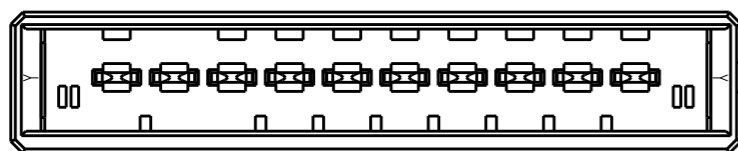


P	LTR	DESCRIPTION	DATE	DWN	APVD
D2		REVISED PER ECO-11-005030	24MAR2011	RK	HMR
E		REVISED PER ECR-20-003937	16MAR2020	T.S	E.I



RECOMEND PC BOARD HOLE PATTERN
 PC BOARD THICKNESS: 1.6±0.1
 (NOT ACCUMULATE TOLERANCE)
 (CONNECTOR MOUNT SIDE)



2-178318-2, -3, -5
 KEY TYPE Y

- MATERIAL: HOUSING : GLASS FILED THERMO PLASTIC, POLYESTER
 CONTACT: COPPER ALLOY
 RETENTION LEG: COPPER ALLOY
- FINISH (CONTACT AREA): 0.38umMIN GOLD PLATING OVER Ni PLATING.
- FINISH (CONTACT AREA): 0.76umMIN GOLD PLATING OVER Ni PLATING.
- FINISH (CONTACT AREA): 2.0umMIN TIN PLATED OVER NICKEL.
- NOTE DELETED
- FINISH (RETENTION LEG): TIN PLATED
 (CONTACT TAIL) OVER NICKEL.
- OBSOLETE PARTS: OBSOLETE CIS STREAMLINING PER D.RENAUD/D.SINISI.

Y			2-178318-5	OBSOLETE
			2-178318-3	
			2-178318-2	
X			1-178318-5	
			1-178318-3	
			1-178318-2	
KEYING	FINISH	PART NO		

THIS DRAWING IS A CONTROLLED DOCUMENT.		DWN T. SHIMOYASU 16MAR2020	TE Connectivity	
DIMENSIONS: mm		CHK E. IKEMATSU 16MAR2020		
TOLERANCES UNLESS OTHERWISE SPECIFIED:		APVD E. IKEMATSU 16MAR2020	NAME 10POSN VERTICAL HEADER ASSEMBLY DYNAMIC D3100S	
 0 PLC ±0.3 1 PLC ±0.3 2 PLC ±0.3 3 PLC ±0.3 4 PLC ±0.3 ANGLES ±- ±3		PRODUCT SPEC 108-5349	RESTRICTED TO	
MATERIAL		APPLICATION SPEC	SIZE A3	CAGE CODE 00779
		WEIGHT	DRAWING NO C-178318	SCALE 2:1
		FINISH	SHEET 1 OF 1	
			REV E	
			CUSTOMER DRAWING	

单击下面可查看定价，库存，交付和生命周期等信息

[>>TE Connectivity\(泰科\)](#)