

THIS DRAWING IS UNPUBLISHED. RELEASED FOR PUBLICATION 20
 © COPYRIGHT 20 BY - ALL RIGHTS RESERVED.

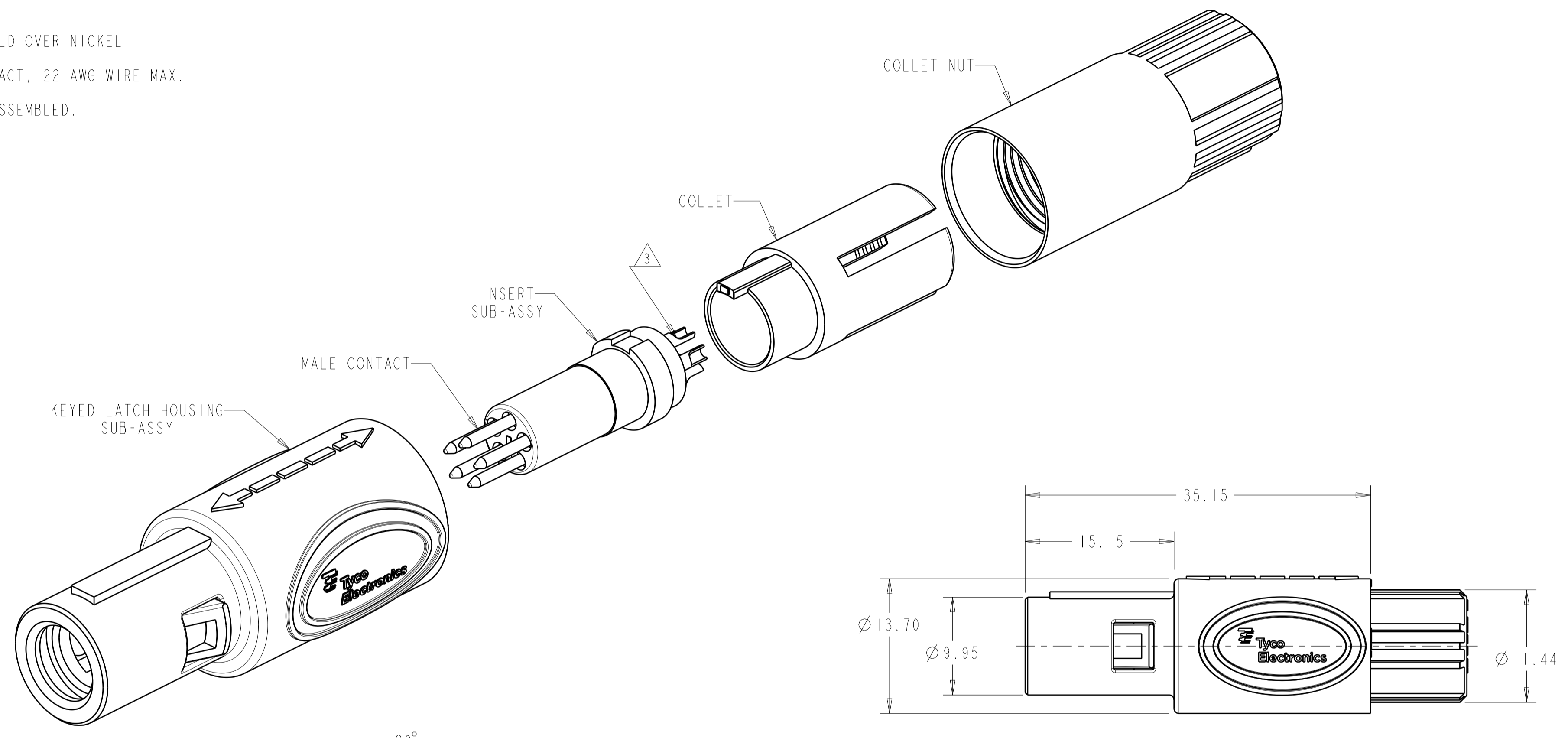
LOC	DIST	REVISIONS			
P	LTR	DESCRIPTION	DATE	DWN	APVD
AD	00	B3	REVISED PER ECO-11-005027	12MAR2011	RK HMR

1 MATERIAL:
 CONTACT: BRASS
 LATCH HOUSING, INSERT, COLLET, COLLET NUT:
 UL 94V-0 RATED THERMOPLASTIC
 COLOR:
 COLLET AND INSERT: GRAY
 LATCH HOUSING AND NUT: SEE TABLE

2 FINISH:
 CONTACT, 0.75µm MIN. GOLD OVER NICKEL

3 SOLDER TERMINATION CONTACT, 22 AWG WIRE MAX.

4. PRODUCT IS SUPPLIED UNASSEMBLED.



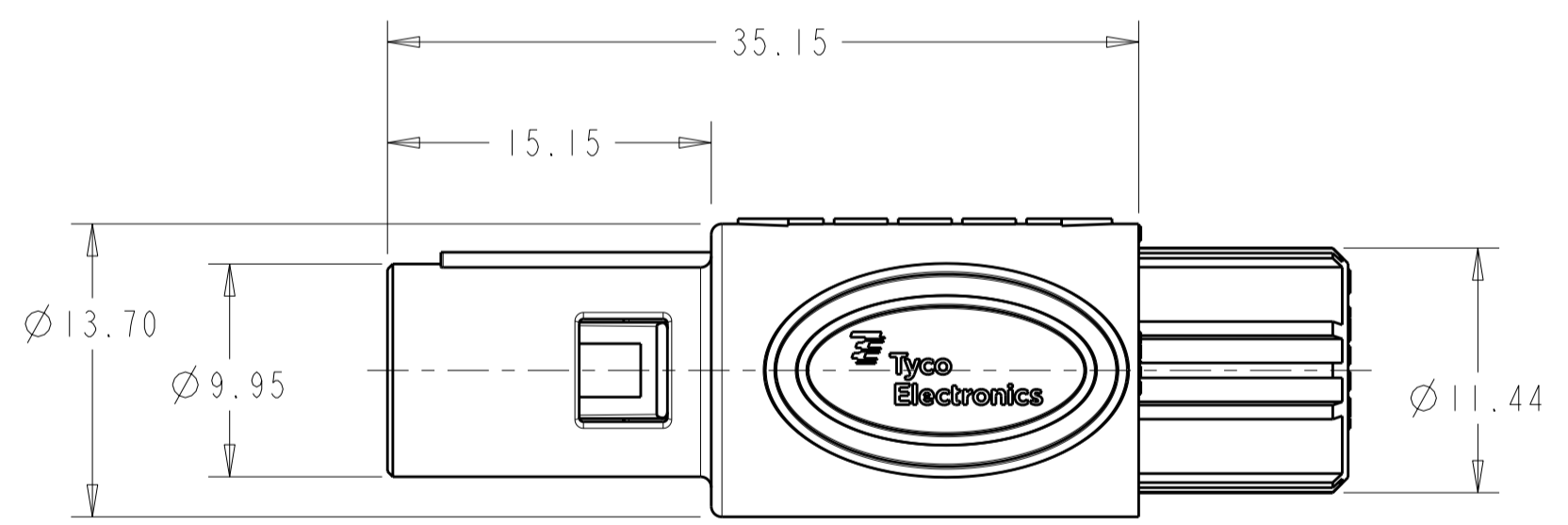
INSERT SUB-ASSY
 CIRCUIT DESIGNATION VIEW



80° KEYING
 SCALE 4:1



0° KEYING
 SCALE 4:1



SCALE 3:1

SEE SHEET 2 FOR
 PART NUMBER SELECTION
 PART NUMBER

THIS DRAWING IS A CONTROLLED DOCUMENT.		DWN K. MILLER 09MAR2006	TE Connectivity	
DIMENSIONS: mm		CHK L. BREKOSKY 09MAR2006	NAME 5 POSITION, CABLE COLLET STRAIGHT PLUG ASSEMBLY 0 AND 80 DEGREE KEYING	
TOLERANCES UNLESS OTHERWISE SPECIFIED: 0 PLC ± 1 PLC ±0.13 2 PLC ±0.08 3 PLC ± 4 PLC ± ANGLES ±1° FINISH		APVD -	PRODUCT SPEC 108-2249	RESTRICTED TO -
MATERIAL 1		APPLICATION SPEC 114-13184	SIZE A2	CAGE CODE 00779
		WEIGHT -	DRAWING NO C-1877845	SCALE 4:1
		CUSTOMER DRAWING	SHEET 1	OF 3
			REV B3	

THIS DRAWING IS UNPUBLISHED. RELEASED FOR PUBLICATION 20
 © COPYRIGHT 20 BY ALL RIGHTS RESERVED.

LOC	DIST	REVISIONS					
AD	00	P	LTR	DESCRIPTION	DATE	DWN	APVD
		-		SEE SHEET 1			

Ø 2.7-Ø 3.9	BLUE	GRAY	80°	7-1877845-2
Ø 4.0-Ø 5.2	BLUE	GRAY	80°	7-1877845-1
Ø 5.3-Ø 6.5	BLUE	GRAY	80°	7-1877845-0
Ø 2.7-Ø 3.9	BLUE	GRAY	0°	6-1877845-9
Ø 4.0-Ø 5.2	BLUE	GRAY	0°	6-1877845-8
Ø 5.3-Ø 6.5	BLUE	GRAY	0°	6-1877845-7
Ø 2.7-Ø 3.9	BLUE	BLACK	80°	6-1877845-6
Ø 4.0-Ø 5.2	BLUE	BLACK	80°	6-1877845-5
Ø 5.3-Ø 6.5	BLUE	BLACK	80°	6-1877845-4
Ø 2.7-Ø 3.9	BLUE	BLACK	0°	6-1877845-3
Ø 4.0-Ø 5.2	BLUE	BLACK	0°	6-1877845-2
Ø 5.3-Ø 6.5	BLUE	BLACK	0°	6-1877845-1
Ø 2.7-Ø 3.9	GREEN	GRAY	80°	6-1877845-0
Ø 4.0-Ø 5.2	GREEN	GRAY	80°	5-1877845-9
Ø 5.3-Ø 6.5	GREEN	GRAY	80°	5-1877845-8
Ø 2.7-Ø 3.9	GREEN	GRAY	0°	5-1877845-7
Ø 4.0-Ø 5.2	GREEN	GRAY	0°	5-1877845-6
Ø 5.3-Ø 6.5	GREEN	GRAY	0°	5-1877845-5
Ø 2.7-Ø 3.9	GREEN	BLACK	80°	5-1877845-4
Ø 4.0-Ø 5.2	GREEN	BLACK	80°	5-1877845-3
Ø 5.3-Ø 6.5	GREEN	BLACK	80°	5-1877845-2
Ø 2.7-Ø 3.9	GREEN	BLACK	0°	5-1877845-1
Ø 4.0-Ø 5.2	GREEN	BLACK	0°	5-1877845-0
Ø 5.3-Ø 6.5	GREEN	BLACK	0°	4-1877845-9
Ø 2.7-Ø 3.9	YELLOW	GRAY	80°	4-1877845-8
Ø 4.0-Ø 5.2	YELLOW	GRAY	80°	4-1877845-7
Ø 5.3-Ø 6.5	YELLOW	GRAY	80°	4-1877845-6
Ø 2.7-Ø 3.9	YELLOW	GRAY	0°	4-1877845-5
Ø 4.0-Ø 5.2	YELLOW	GRAY	0°	4-1877845-4
Ø 5.3-Ø 6.5	YELLOW	GRAY	0°	4-1877845-3
Ø 2.7-Ø 3.9	YELLOW	BLACK	80°	4-1877845-2
Ø 4.0-Ø 5.2	YELLOW	BLACK	80°	4-1877845-1
Ø 5.3-Ø 6.5	YELLOW	BLACK	80°	4-1877845-0
Ø 2.7-Ø 3.9	YELLOW	BLACK	0°	3-1877845-9
Ø 4.0-Ø 5.2	YELLOW	BLACK	0°	3-1877845-8
Ø 5.3-Ø 6.5	YELLOW	BLACK	0°	3-1877845-7
CABLE RANGE	BACK-NUT COLOR	LATCH HOUSING COLOR	KEYING	PART NO.

PART NUMBERS 37 THRU 72

Ø 2.7-Ø 3.9	WHITE	GRAY	80°	3-1877845-6
Ø 4.0-Ø 5.2	WHITE	GRAY	80°	3-1877845-5
Ø 5.3-Ø 6.5	WHITE	GRAY	80°	3-1877845-4
Ø 2.7-Ø 3.9	WHITE	GRAY	0°	3-1877845-3
Ø 4.0-Ø 5.2	WHITE	GRAY	0°	3-1877845-2
Ø 5.3-Ø 6.5	WHITE	GRAY	0°	3-1877845-1
Ø 2.7-Ø 3.9	WHITE	BLACK	80°	3-1877845-0
Ø 4.0-Ø 5.2	WHITE	BLACK	80°	2-1877845-9
Ø 5.3-Ø 6.5	WHITE	BLACK	80°	2-1877845-8
Ø 2.7-Ø 3.9	WHITE	BLACK	0°	2-1877845-7
Ø 4.0-Ø 5.2	WHITE	BLACK	0°	2-1877845-6
Ø 5.3-Ø 6.5	WHITE	BLACK	0°	2-1877845-5
Ø 2.7-Ø 3.9	RED	GRAY	80°	2-1877845-4
Ø 4.0-Ø 5.2	RED	GRAY	80°	2-1877845-3
Ø 5.3-Ø 6.5	RED	GRAY	80°	2-1877845-2
Ø 2.7-Ø 3.9	RED	GRAY	0°	2-1877845-1
Ø 4.0-Ø 5.2	RED	GRAY	0°	2-1877845-0
Ø 5.3-Ø 6.5	RED	GRAY	0°	1-1877845-9
Ø 2.7-Ø 3.9	RED	BLACK	80°	1-1877845-8
Ø 4.0-Ø 5.2	RED	BLACK	80°	1-1877845-7
Ø 5.3-Ø 6.5	RED	BLACK	80°	1-1877845-6
Ø 2.7-Ø 3.9	RED	BLACK	0°	1-1877845-5
Ø 4.0-Ø 5.2	RED	BLACK	0°	1-1877845-4
Ø 5.3-Ø 6.5	RED	BLACK	0°	1-1877845-3
Ø 2.7-Ø 3.9	GRAY	GRAY	80°	1-1877845-2
Ø 4.0-Ø 5.2	GRAY	GRAY	80°	1-1877845-1
Ø 5.3-Ø 6.5	GRAY	GRAY	80°	1-1877845-0
Ø 2.7-Ø 3.9	GRAY	GRAY	0°	1877845-9
Ø 4.0-Ø 5.2	GRAY	GRAY	0°	1877845-8
Ø 5.3-Ø 6.5	GRAY	GRAY	0°	1877845-7
Ø 2.7-Ø 3.9	BLACK	BLACK	80°	1877845-6
Ø 4.0-Ø 5.2	BLACK	BLACK	80°	1877845-5
Ø 5.3-Ø 6.5	BLACK	BLACK	80°	1877845-4
Ø 2.7-Ø 3.9	BLACK	BLACK	0°	1877845-3
Ø 4.0-Ø 5.2	BLACK	BLACK	0°	1877845-2
Ø 5.3-Ø 6.5	BLACK	BLACK	0°	1877845-1
CABLE RANGE	BACK-NUT COLOR	LATCH HOUSING COLOR	KEYING	PART NO.

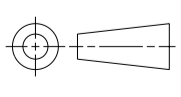
PART NUMBERS 1 THRU 36

THIS DRAWING IS A CONTROLLED DOCUMENT.		DWN K. MILLER 09MAR2006	 TE Connectivity		
		CHK L. BREKOSKY 09MAR2006			
DIMENSIONS: mm		TOLERANCES UNLESS OTHERWISE SPECIFIED: 0 PLC ± 1 PLC ±0.13 2 PLC ±0.08 3 PLC ± 4 PLC ± ANGLES ±1° FINISH		NAME 5 POSITION, CABLE COLLET STRAIGHT PLUG ASSEMBLY 0 AND 80 DEGREE KEYING	
		PRODUCT SPEC 108-2249 APPLICATION SPEC 114-13184		SIZE A2	
MATERIAL 		WEIGHT -		CAGE CODE 00779	
		CUSTOMER DRAWING		DRAWING NO 1877845 RESTRICTED TO -	
		SCALE 4:1		SHEET 2 OF 3 REV B3	

THIS DRAWING IS UNPUBLISHED. RELEASED FOR PUBLICATION 20
 © COPYRIGHT 20 BY ALL RIGHTS RESERVED.

LOC	DIST	REVISIONS					
		P	LTR	DESCRIPTION	DATE	DWN	APVD
AD	00	-		SEE SHEET 1	-	-	-

Ø 2.7-Ø 3.9	BLACK	GRAY	80°	8-1877845-4
Ø 4.0-Ø 5.2	BLACK	GRAY	80°	8-1877845-3
Ø 5.3-Ø 6.5	BLACK	GRAY	80°	8-1877845-2
Ø 2.7-Ø 3.9	BLACK	GRAY	0°	8-1877845-1
Ø 4.0-Ø 5.2	BLACK	GRAY	0°	8-1877845-0
Ø 5.3-Ø 6.5	BLACK	GRAY	0°	7-1877845-9
Ø 2.7-Ø 3.9	GRAY	BLACK	80°	7-1877845-8
Ø 4.0-Ø 5.2	GRAY	BLACK	80°	7-1877845-7
Ø 5.3-Ø 6.5	GRAY	BLACK	80°	7-1877845-6
Ø 2.7-Ø 3.9	GRAY	BLACK	0°	7-1877845-5
Ø 4.0-Ø 5.2	GRAY	BLACK	0°	7-1877845-4
Ø 5.3-Ø 6.5	GRAY	BLACK	0°	7-1877845-3
CABLE RANGE	BACK-NUT COLOR	LATCH HOUSING COLOR	KEYING	PART NO.
PART NUMBERS 73 THRU 84				

THIS DRAWING IS A CONTROLLED DOCUMENT.		DWN K. MILLER 09MAR2006	STE TE Connectivity	
		CHK L. BREKOSKY 09MAR2006		
DIMENSIONS: mm	TOLERANCES UNLESS OTHERWISE SPECIFIED:	APVD -	NAME 5 POSITION, CABLE COLLET STRAIGHT PLUG ASSEMBLY 0 AND 80 DEGREE KEYING	
	0 PLC ± 1 PLC ±0.13 2 PLC ±0.08 3 PLC ± 4 PLC ± ANGLES ±1° FINISH	PRODUCT SPEC 108-2249	SIZE A2	CAGE CODE 00779
MATERIAL		APPLICATION SPEC 114-13184	DRAWING NO 1877845	RESTRICTED TO -
		WEIGHT -	CUSTOMER DRAWING	
			SCALE 4:1	SHEET 3 OF 3
				REV B.3

单击下面可查看定价，库存，交付和生命周期等信息

[>>TE Connectivity\(泰科\)](#)