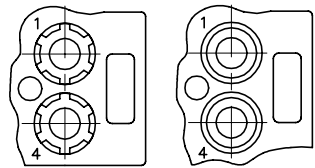
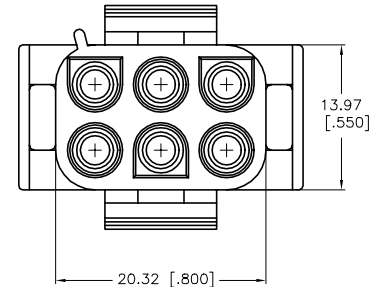
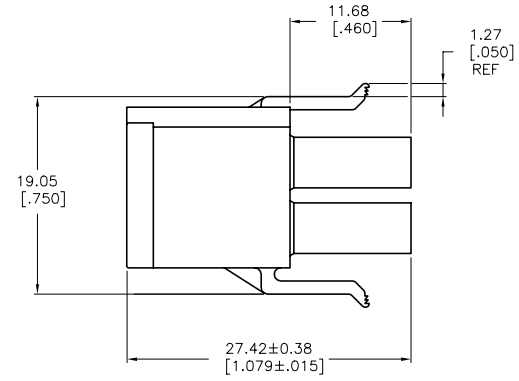
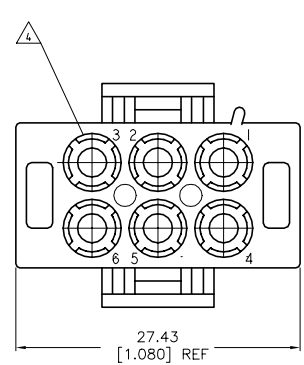


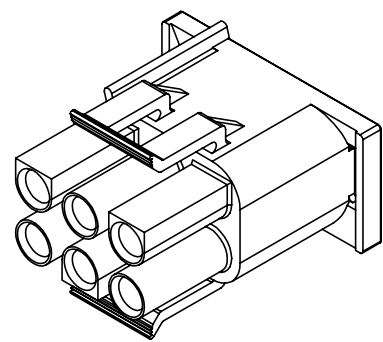
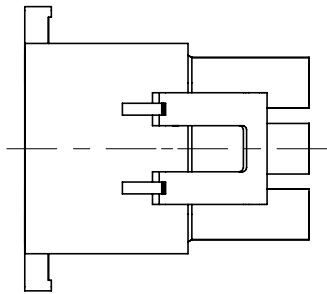
| REVISIONS | | | | |
|-----------|-----|---------------------------|-----------|-----------|
| # | REV | DESCRIPTION | DATE | BY / APPR |
| 1 | C | REVISED PER ECR-21-100149 | 29JAN2021 | PC / JS |

- MATES WITH APPROPRIATE UNIVERSAL MATE-N-LOK™ CAP OR HEADER.
- SMALL NICKS ARE PERMITTED ON THE CIRCUIT TOWERS WHICH COULD INCREASE THE INITIAL HOUSING MATING FORCE BY UP TO 4.4 NEWTONS [1.0 LBS]. NO INDIVIDUAL NICKED TOWER SHALL INCREASE THIS FORCE BY OVER 2.2 NEWTONS [.5 LBS].
- DIMENSIONS SHOWN REPRESENT PRODUCT IN DRY, AS MOLDED CONDITION ADDITIONAL 2% GROWTH DUE TO SUBSEQUENT MOISTURE ABSORPTION MAY OCCUR AND SHOULD BE ACCOUNTED FOR.

- △4 FOUR RIBS EQUALLY SPACED, NO SPECIFIC ORIENTATION, NO RIBS OR SIX RIBS EQUALLY SPACED, NO SPECIFIC ORIENTATION, OPTIONAL
- △5 FLAMMABILITY V2 FOR THICKNESS 0.38mm, 1.5mm, and 3.0mm PER IEC 60695-11-10.
- △6 GLOW-WIRE FLAMMABILITY (GWFI) 800°C FOR THICKNESS 0.38mm AND 0.75mm PER IEC 60695-2-12.
- △7 GLOW-WIRE FLAMMABILITY (GWFI) 960°C FOR THICKNESS 1.5mm AND 3.0mm PER IEC 60695-2-12.
- △8 GLOW-WIRE IGNITION (GWIT) 825°C FOR THICKNESS 0.38mm, 0.75mm, 1.5mm AND 3.0mm PER IEC 60695-2-13.



OPTIONAL CONSTRUCTION △4



| | | | | | |
|----|----|----|----|---------------------------|-------------|
| △5 | △6 | △7 | △8 | NYLON UL94V-2 GWT NATURAL | 794816-2 |
| | | | | NYLON UL94V-0 NATURAL | 794816-1 |
| | | | | MATERIAL | PART NUMBER |

| | | | | |
|--|--|----------------------------|---|---------------|
| THIS DRAWING IS A CONTROLLED DOCUMENT. | | DR: K. WHITTAKER 01JAN2021 | TE Connectivity | |
| DIMENSIONS: mm | | CHK: S. RIDGILL 01JAN2021 | PLUG, SHORT LATCH, 6 CIRCUIT, UNIVERSAL MATE-N-LOK™ | |
| DRAWING NO: A100779C=794816 | | APD: S. RIDGILL 01JAN2021 | RESTRICTED TO: CUSTOMER DRAWING | |
| MATERIAL: SEE TABLE | | WEIGHT: 0.000000 | SIZE: A100779C=794816 | SHEET: 1 of 1 |
| FINISH: - | | SCALE: 4:1 | REV: C | |

单击下面可查看定价，库存，交付和生命周期等信息

[>>TE Connectivity\(泰科\)](#)