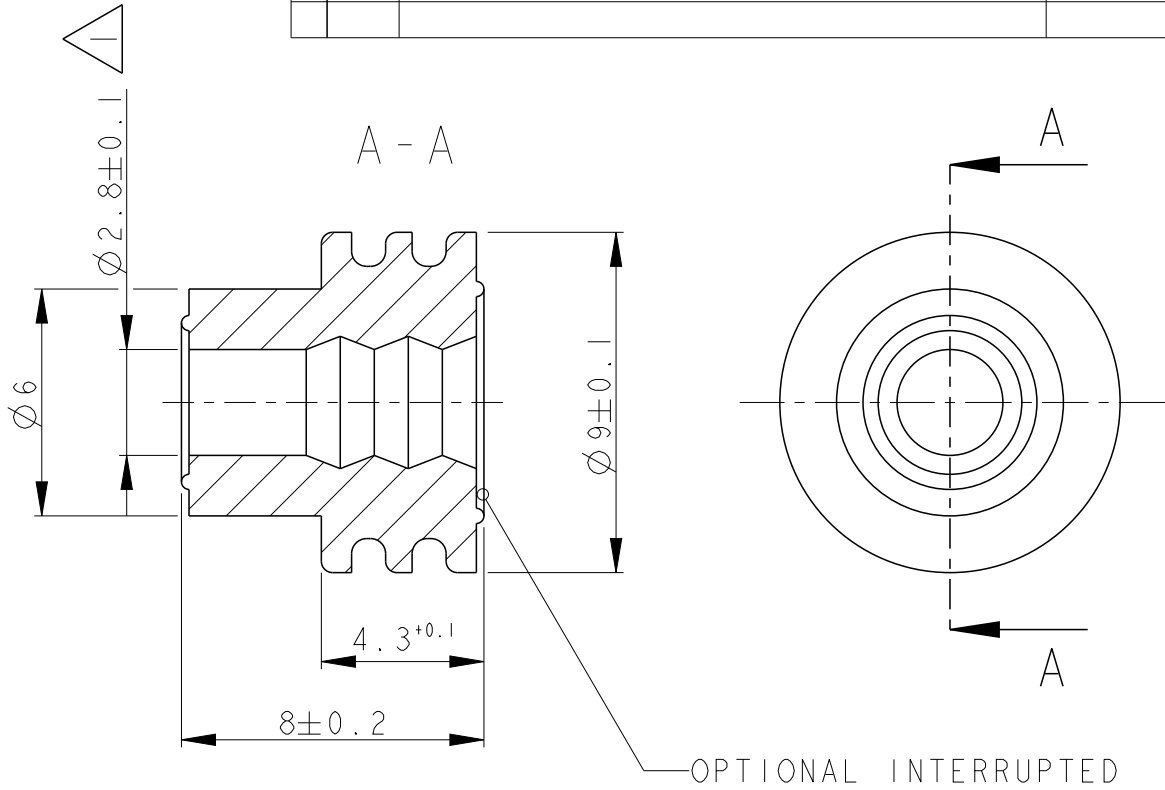

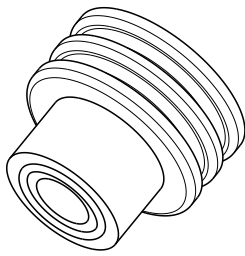


REVISIONS					
P	LTR	DESCRIPTION	DATE	DWN	APVD
	A3	REVISED (ECR-15-003702)	09MAR2015	M.G.	M.G.


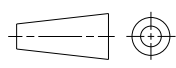



**DEDICATED FOR INSULATION DIA:**  
 3.4-3.7mm (FLR CABLE - WIRE SIZE 4.0mm<sup>2</sup>)  
 3.4-3.74mm (ALUMINIUM WIRE ONLY - WIRE SIZE 4mm<sup>2</sup>)  
**SEALING FOR STANDARD-POWER-TIMER, AMP MCP6.3/4.8K AND 5.8mm TAB**



BLUE	SILICONE 50° SHORE A INHERENTLY LUBRICATED	1394512-1
COLOR	MATERIAL	PART Nr.

2000  
 RELEASED FOR PUBLICATION  
 ALL RIGHTS RESERVED.  
 BY -  
 © COPYRIGHT 2000  
 THIS DRAWING IS UNPUBLISHED.

DIMENSIONS: mm		DWN R. Schaefer 19OCT2000	MATERIAL SEE TABLE	FINISH SEE TABLE
TOLERANCES UNLESS OTHERWISE SPECIFIED:		CHK U. Muenk 19OCT2000	 TE Connectivity	
0 PLC ±0.2	1 PLC ±0.2	APVD -		
2 PLC ±	3 PLC ±	PRODUCT SPEC -	NAME SINGLE WIRE SEAL	
4 PLC ±	ANGLES ±1°	APPLICATION SPEC -	SIZE A4	CAGE CODE -
		WEIGHT 0.25 gr	DRAWING NO C-1394512	RESTRICTED TO -
Customer Drawing			SCALE 5:1	SHEET 1 OF 1
			REV A3	

单击下面可查看定价，库存，交付和生命周期等信息

[>>TE Connectivity\(泰科\)](#)