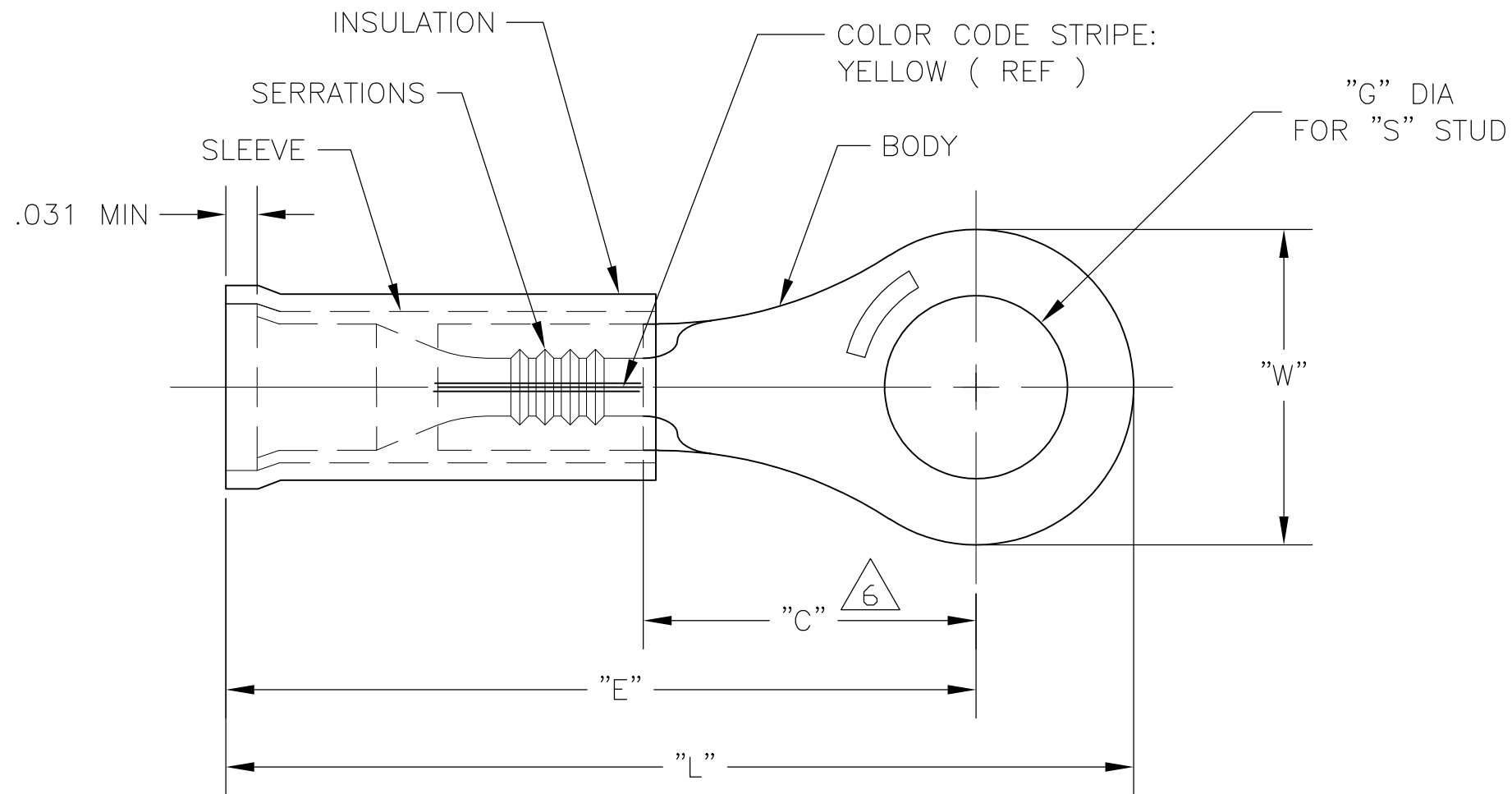


THIS DRAWING IS UNPUBLISHED. RELEASED FOR PUBLICATION
 © COPYRIGHT BY TYCO ELECTRONICS CORPORATION. ALL RIGHTS RESERVED.

LOC G	DIST 37	REVISIONS			
P	LTR	DESCRIPTION	DATE	DWN	APVD
	A3	REV PER ECR 07-016469	17JULY07	JR	TM



1 MUST BE CRIMPED WITH A 22-18 OR 22-16 P.I.D.G. (RED) TOOL.

2 WIRE INSULATION DIA .032-.082

3 TONGUE MATERIAL THK: .027±.002

△ 4 BODY & SLEEVE: TIN PLATE PER ASTM B545.

△ 5 MATERIAL: BODY & SLEEVE: CU PER ASTM B152 INSULATION: PVF2, COLOR - NATURAL

△ 6 APPLIES FROM EDGE OF METAL WIRE BARREL TO CENTER OF STUD HOLE.

7 150°C MAX OPERATING TEMP

8 CMA RANGE IS 202-509

MILITARY P/N & CLASS	"W"	"C"	"E"	"G"	"S"	"L"	QTY	PACKAGE TYPE	PART NO.
M7928/4-143 CLASS 2	.203	.211 MIN	.632 MAX	.093±.003	#2	.741 MAX	1000	LOOSE PIECE	696420-1
M7928/4-144 CLASS 2	.203	.211 MIN	.632 MAX	.119±.003	#4	.741 MAX	1000	LOOSE PIECE	696420-2
M7928/4-145 CLASS 2	.250	.243 MIN	.664 MAX	.145±.003	#6	.797 MAX	1000	LOOSE PIECE	696420-3
M7928/4-146 CLASS 2	.281	.250 MIN	.671 MAX	.171±.003	#8	.819 MAX	1000	LOOSE PIECE	696420-5
M7928/4-147 CLASS 2	.312	.281 MIN	.702 MAX	.197±.003	#10	.866 MAX	1000	LOOSE PIECE	696420-6

THIS DRAWING IS A CONTROLLED DOCUMENT.		DWN JR RUTH 29JUN05	Tyco Electronics Corporation Harrisburg, Pa 17105-3608		
DIMENSIONS: INCHES		CHK T MICHELUTTI 29JUN05	NAME TERMINAL, PVF2, RING TONGUE, PIDG, WIRE SIZE: 26-24 AWG		
TOLERANCES UNLESS OTHERWISE SPECIFIED:		APVD T MICHELUTTI 29JUN05	PRODUCT SPEC		
0 PLC ± -		APPLICATION SPEC			
1 PLC ± -		SIZE			
2 PLC ± -		CAGE CODE			
3 PLC ± -		DRAWING NO			
4 PLC ± -		RESTRICTED TO			
ANGLES ± -		A3 00779 C-696420			
FINISH		SCALE 8:1 SHEET 1 OF 1 REV A3			
- △ 5		CUSTOMER DRAWING			
- △ 4					

单击下面可查看定价，库存，交付和生命周期等信息

[>>TE Connectivity\(泰科\)](#)