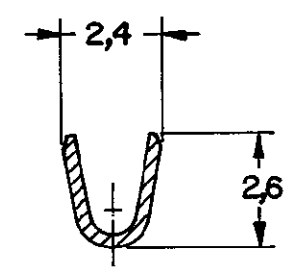
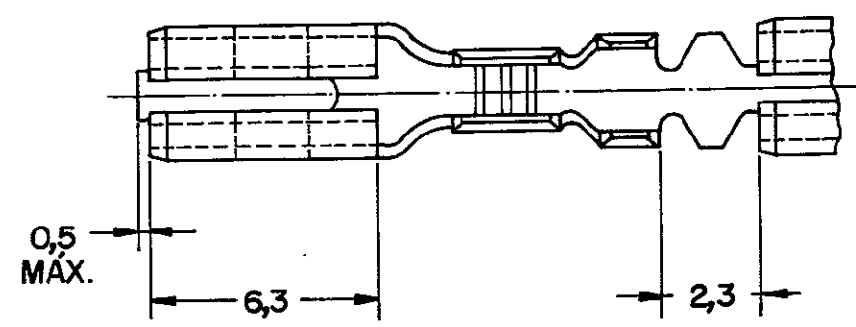
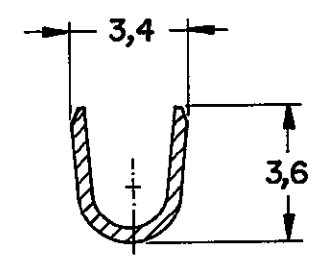


C 881799 1 of 1

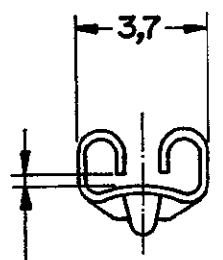
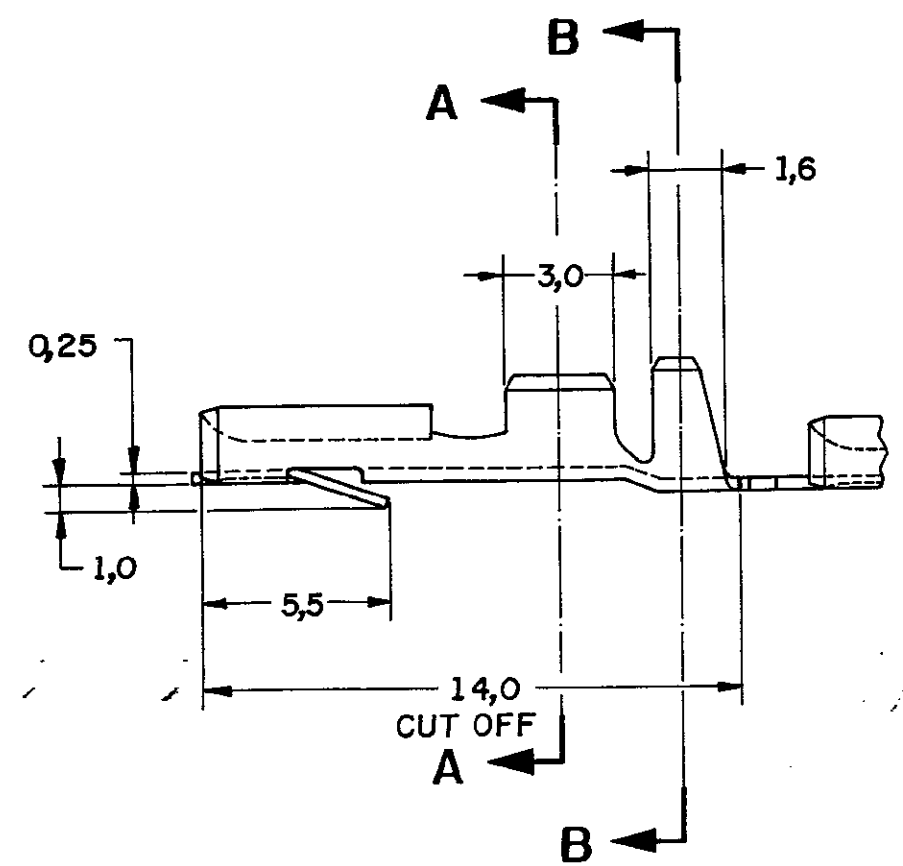
DWG NO. 881799		DO NOT SCALE		METRIC		3rd ANGLE PROJECTION	
		DIMENSIONS IN mm.					
REQ. PER ASSY	ITEM	DESCRIPTION	MATERIAL	FINISH			



CORTE A-A
SECTION



CORTE B-B
SECTION



PARA TAB. 0,8
ESPESSURA
FOR 0,8 TAB.

1 OBSOLETE PARTS: OBSOLETE CIS STREAMLINING PER D.RENAUD/D.SINISI

(C1)	PRÉ ESTANHADO/ PRE TINNED		1	-4
		(C1)	BRONZE FOSF. / PH. BRONZE	-3
(C1)	PRÉ ESTANHADO/ PRE TINNED			-2
		(C1)	LATÃO / BRASS	881 799 -1
	FINISH		MATERIAL	PART NUMBER
CUSTOMER DWG for REFERENCE ONLY		THIS DRAWING IS UNPUBLISHED RELEASED FOR PUBLICATION 19		
		© COPYRIGHT 19 BY AMP DO BRASIL LTDA S.P. ALL INTERNATIONAL RIGHTS RESERVED AMP PRODUCTS MAY BE COVERED BY U.S. AND FOREIGN PATENTS AND/OR PATENTS PENDING.		
		TOLERANCES UNLESS OTHERWISE STATED DEC. ± 0,3 ANGLES ± 1°	INS. DIA RANGE 1,40 - 2,30mm	WIRE RANGE 0,5 - 1,0 mm ²
		AMP do BRASIL LTDA. São Paulo, Brasil		
		DR. N. C. LAPRESA 07 - AUG - 95 CHK. 10 - AUG - 95 J. R. FOLDSCHMIDT		
		DESCRIPTION RECEPTACLE .110 SERIES FASTIN-FASTON		
C2	REVISED PER ECO-09-026444	KK AEG	01DEC09	
C1	REVISED BY	023-98	DAR-F	01-FEB-98
C	REDRAWN WITH CHANGE	351-95	NCL	10 AUG 95
ISS	REVISION	RECORD	ECN	DR OR CHK
				DATE
				APP.
A3	DWG NO. C 881799		SHEET 1 OF 1	

单击下面可查看定价，库存，交付和生命周期等信息

[>>TE Connectivity\(泰科\)](#)