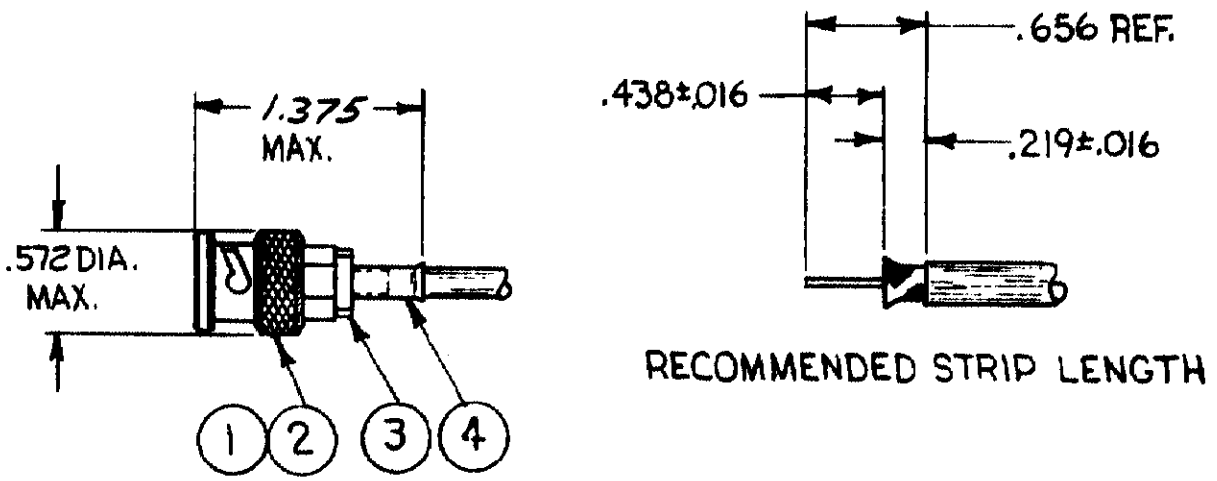


REVISIONS					
P	F	LTR	DESCRIPTION	DATE	APPROVED
<input checked="" type="checkbox"/>		G1	REVISED PER ECR-16-009453	30JUN16	BW

THIS DRAWING IS UNPUBLISHED. RELEASED FOR PUBLICATION MAY 25, 1983.  
 BY AMP INCORPORATED, HARRISBURG, PA. ALL INTERNATIONAL RIGHTS RESERVED. AMP PRODUCTS MAY BE COVERED BY U.S. AND FOREIGN PATENTS AND/OR PATENTS PENDING.



1. FOR USE WITH: RG-178/U + 196/U CABLE
2. USE CRIMPING TOOL: 69245-4.
3. SEE I.S. 1799-1
4. WEIGHT: .451 OZ.

ITEM	QTY.	DESCRIPTION	PART NO
4	1	FERRULE	328667
3	1	CRIMP END ASSY	9-50780-4
2	1	GASKET	2-329106-1
1	1	PLUG ASSY	9-329804-0

UNLESS OTHERWISE SPECIFIED DIMENSIONS ARE IN INCHES. TOLERANCES ON: DECIMALS ±.001 ANGLES ±.1°

MATERIAL: \_\_\_\_\_

FINISH: \_\_\_\_\_

CONTRACT NO. \_\_\_\_\_

DR. *[Signature]* 8-25-83

CHK. *[Signature]* 9/12/83

APPD. *[Signature]* 11/21/83

APPD. *[Signature]* 1/6/84

DSGN APPD. \_\_\_\_\_

OTHER APPD. \_\_\_\_\_

**AMP** | AMP INCORPORATED  
Harrisburg, Pa. 17105

NAME: **CONNECTOR, COAXIAL, R.F., PLUG, SERIES BNC**

SIZE: <b>A</b>	FSCM NO: <b>00779</b>	DRAWING NO: <b>330876</b>
----------------	-----------------------	---------------------------

SCALE: **NTS** SHEET: \_\_\_\_\_

单击下面可查看定价，库存，交付和生命周期等信息

[>>TE Connectivity\(泰科\)](#)