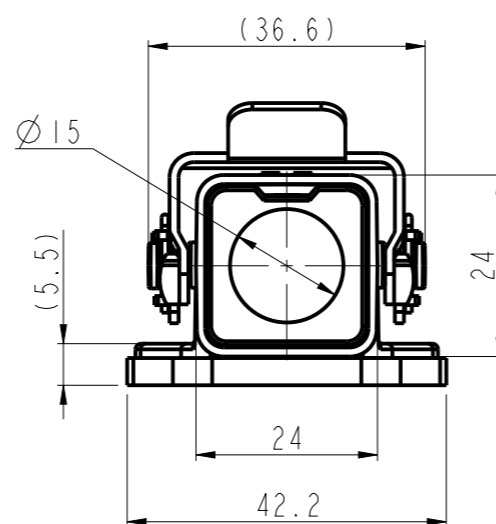
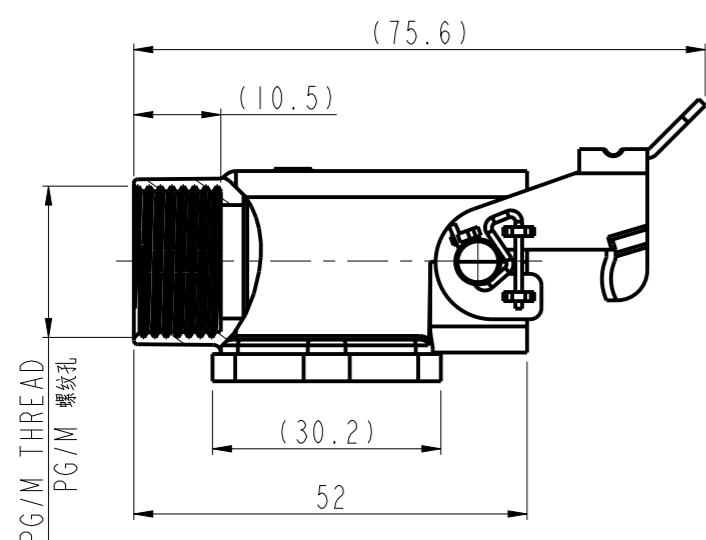
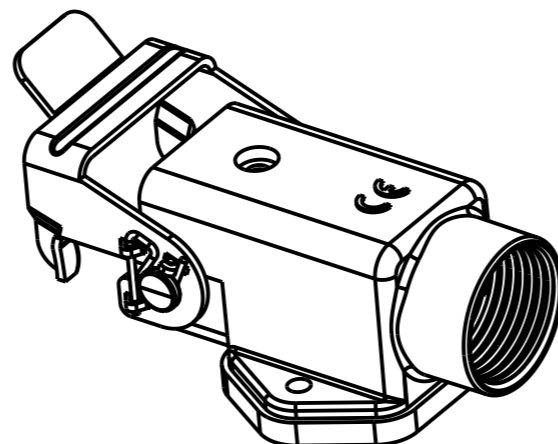
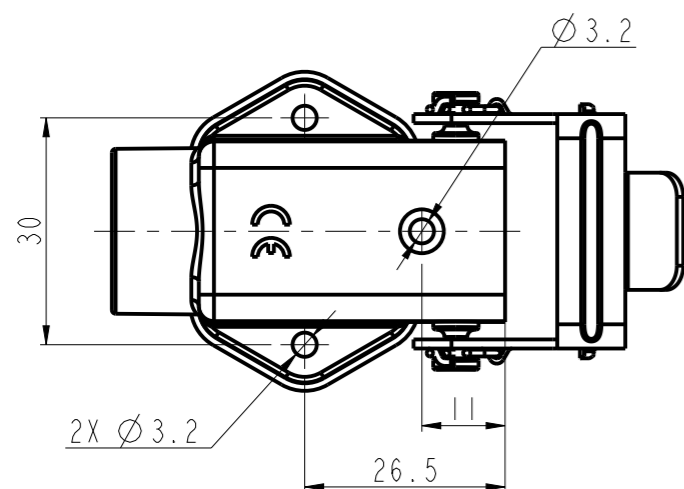


REVISIONS

P	LTR	DESCRIPTION	DATE	DWN	APVD
	A	INITIAL	25NOV2017	QY	CW
	B	ECR-20-007782	24NOV2020	BS	CW

NOTES:
 1. TECHNICAL CHARACTERISTICS:
 BODY MATERIAL: DIE CAST ZINC ALLOY
 SURFACE TREATMENT: POWDER COATED, DEEP GRAY
 DEGREE OF PROTECTION: IP65 (MATED)

注释:
 1. 技术参数:
 主体材料: 锌合金
 表面处理: 深灰色粉末喷涂
 防护等级: IP65(配合)



T1619030111-001	H3A-MAGSV-PG11	H3A HOUSING, SURFACE MOUNTED, METAL SINGLE LOCKING, PG11, POWDER COATED, DEEP GREY H3A下壳, 表面安装, 金属单扣, PG11, 深灰色粉末喷涂	PG11
T1619030116-001	H3A-MAGSV-M16	H3A HOUSING, SURFACE MOUNTED, METAL SINGLE LOCKING, M16, POWDER COATED, DEEP GREY H3A下壳, 表面安装, 金属单扣, M16, 深灰色粉末喷涂	M16X1.5
T1619030120-001	H3A-MAGSV-M20	H3A HOUSING, SURFACE MOUNTED, METAL SINGLE LOCKING, M20, POWDER COATED, DEEP GREY H3A下壳, 表面安装, 金属单扣, M20, 深灰色粉末喷涂	M20X1.5
PART NUMBER 料号	PART DESCRIPTION 描述		PG/M THREAD PG/M 螺纹孔

THIS DRAWING IS A CONTROLLED DOCUMENT.		DWN 25NOV2017 QIANG YUAN	STE TE Connectivity	
		CHK 25NOV2017 GINO YAO		
		APVD 25NOV2017 CHRIS WANG	NAME H3A-MAGSV-PG/M	
DIMENSIONS: mm		PRODUCT SPEC 108-137012		
TOLERANCES UNLESS OTHERWISE SPECIFIED: 0 PLC ±- 1 PLC ±- 2 PLC ±- 3 PLC ±- 4 PLC ±- ANGLES - ±		APPLICATION SPEC 114-137012		
MATERIAL -		WEIGHT -	SIZE A3	CAGE CODE 00779
		DRAWING NO C-T16190301XX001		RESTRICTED TO
		CUSTOMER DRAWING		SCALE 1:1 SHEET 1 OF 1 REV B

单击下面可查看定价，库存，交付和生命周期等信息

[>>TE Connectivity\(泰科\)](#)