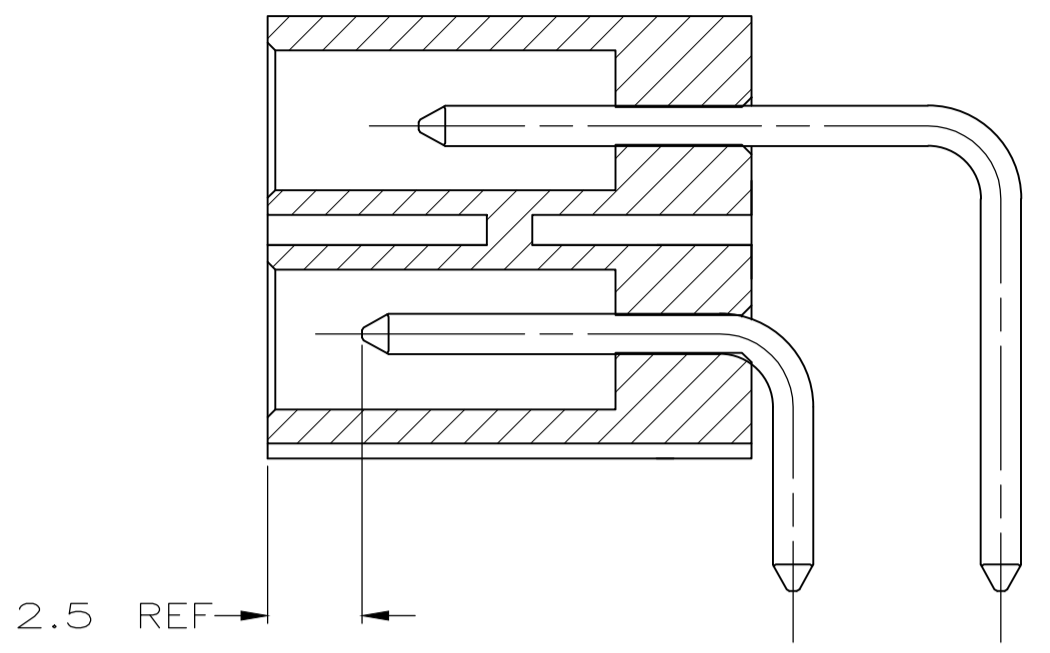
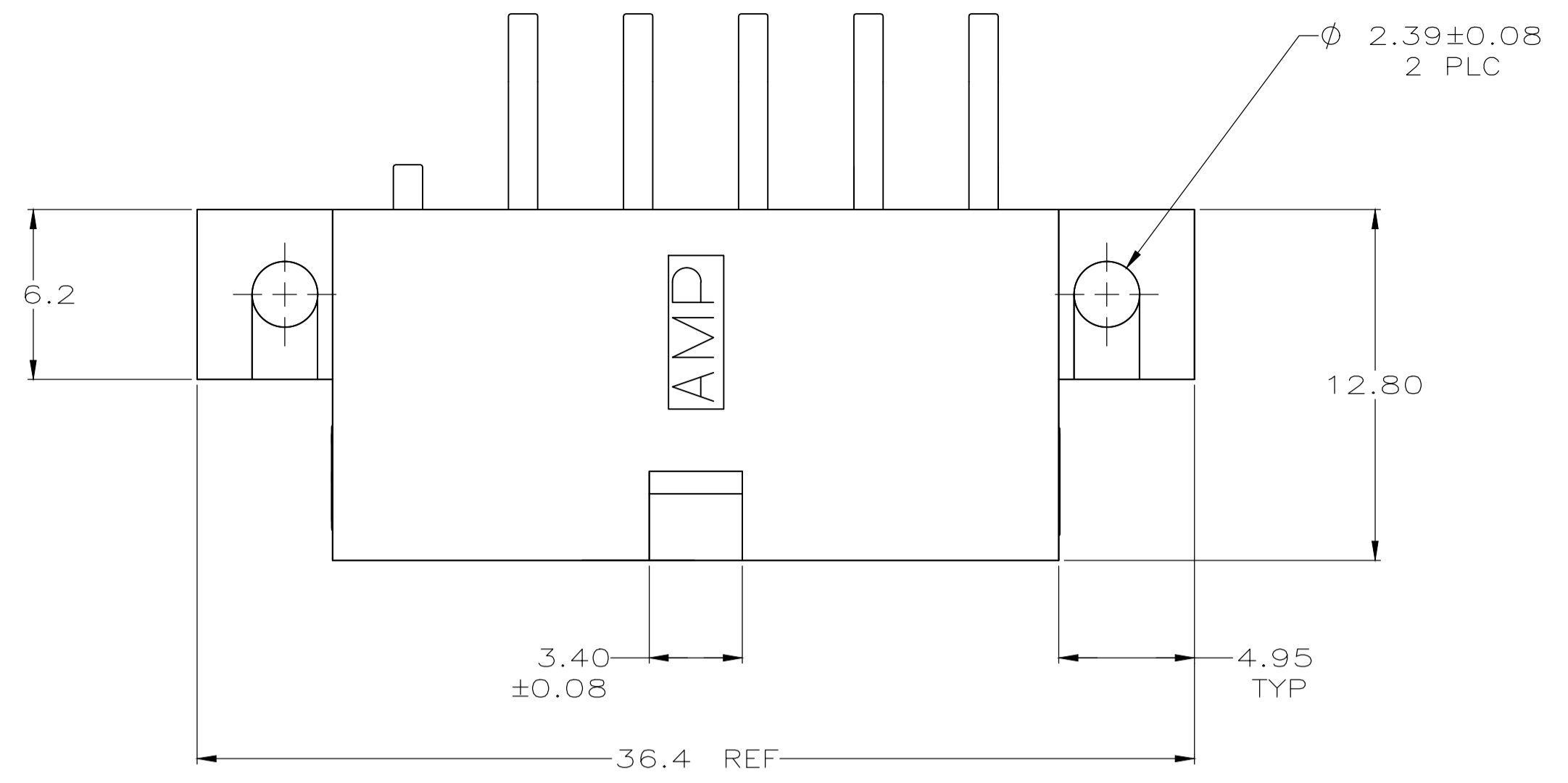
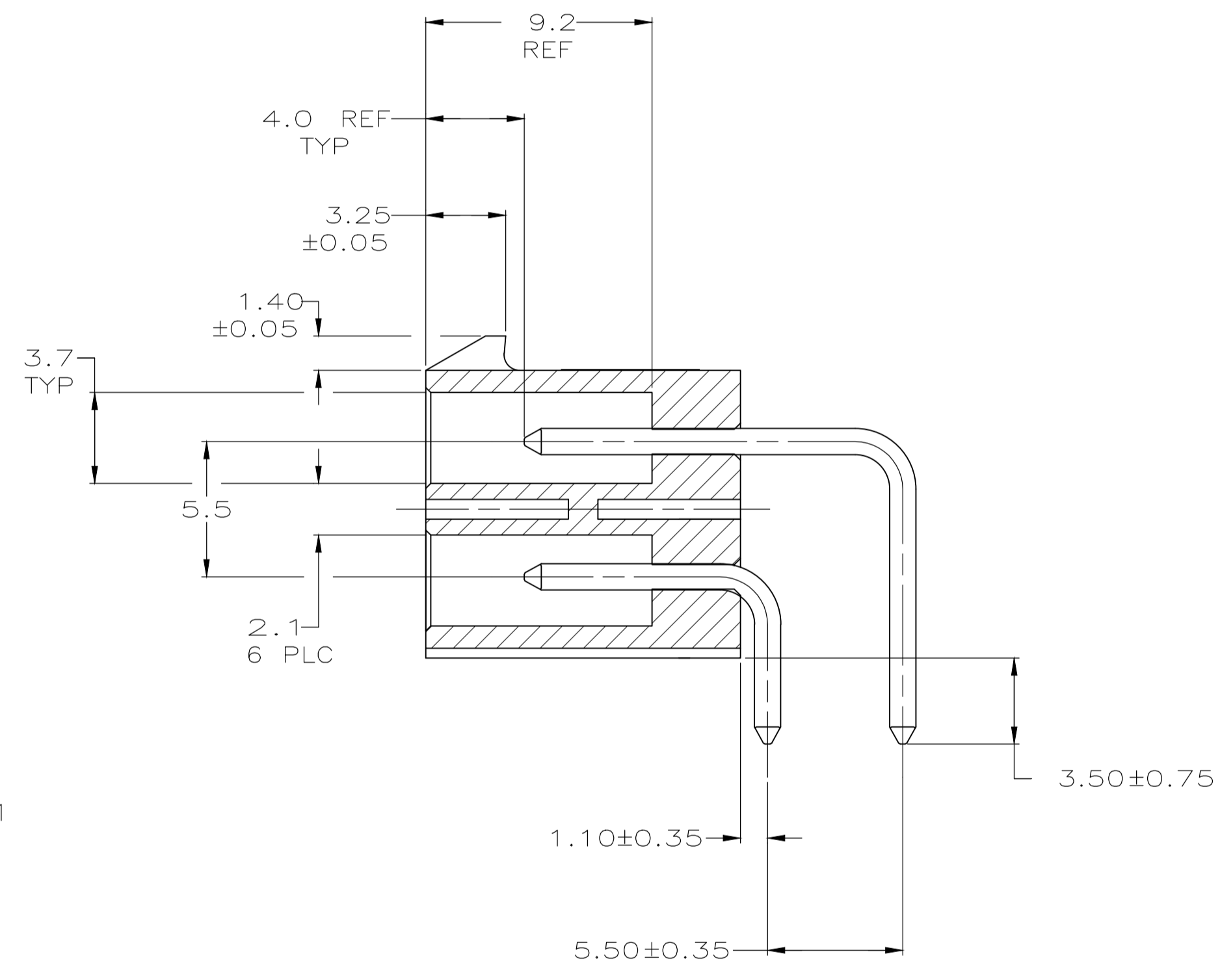
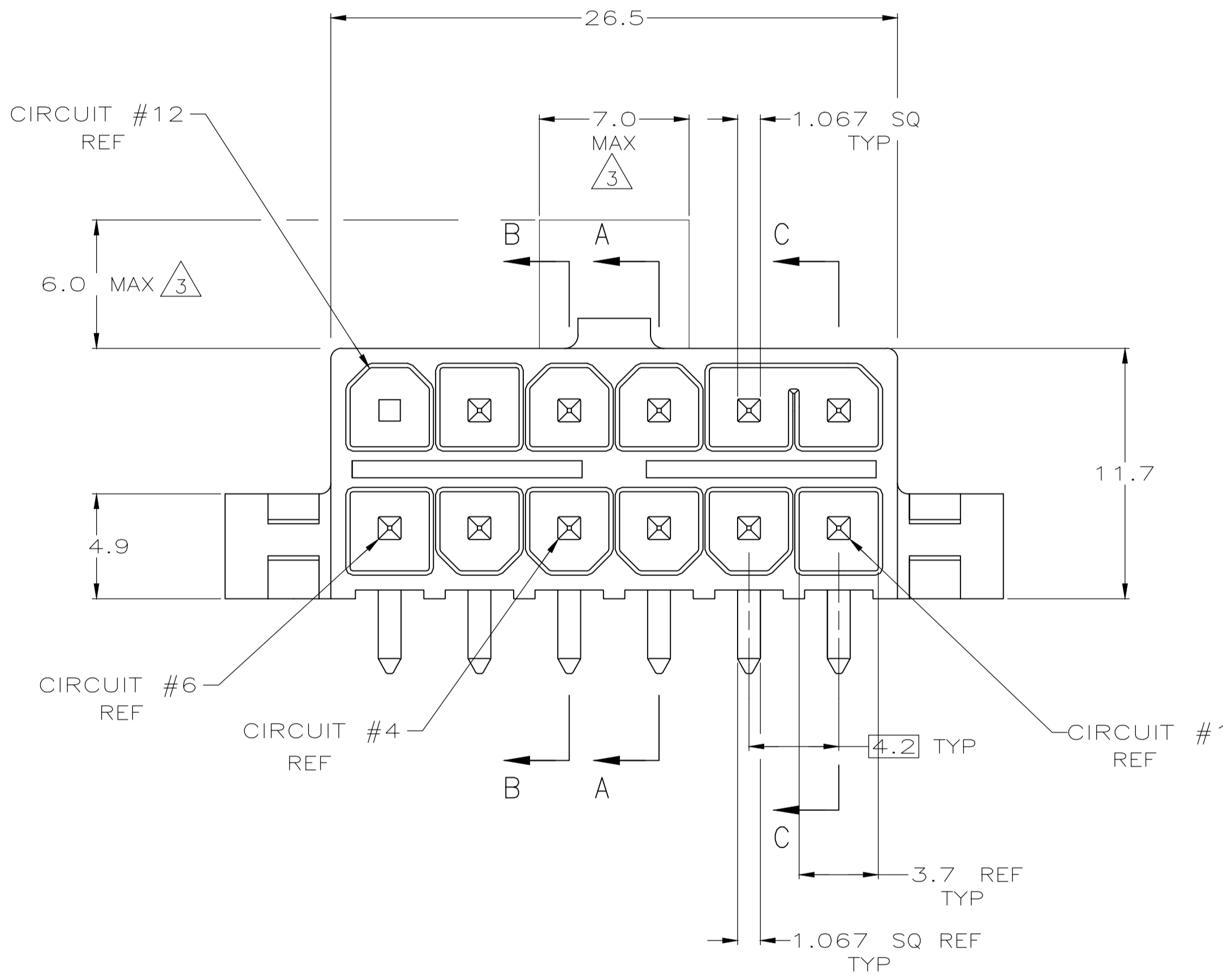


REVISIONS				
P	LTR	DESCRIPTION	DATE	APPD
A5	EOL		18JUL2020	ML SZ

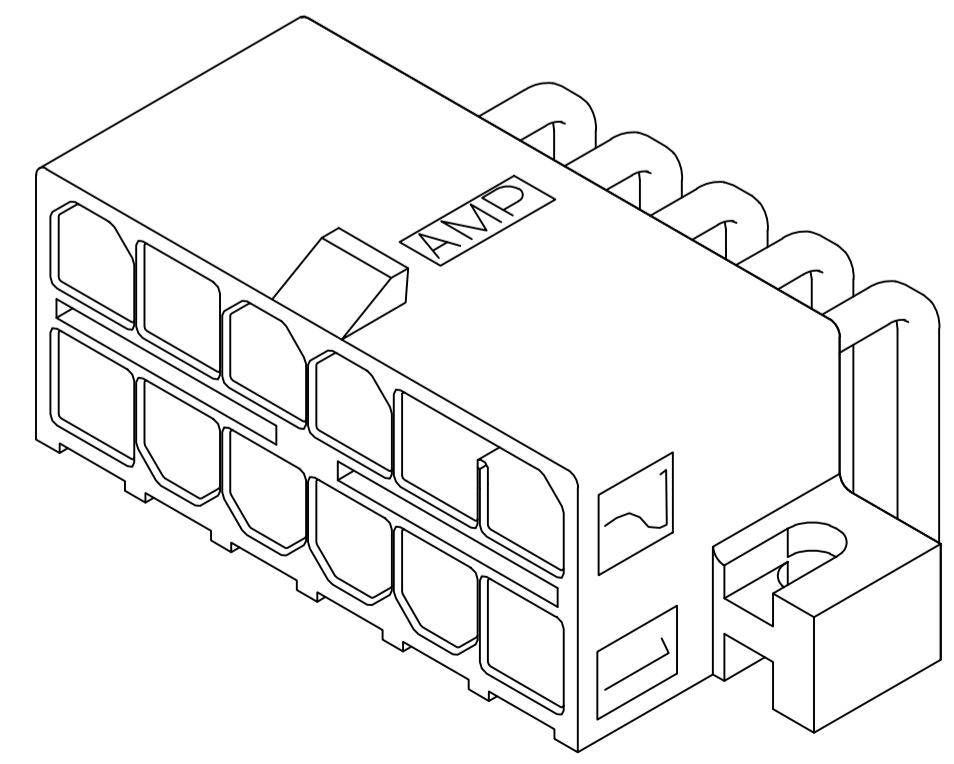
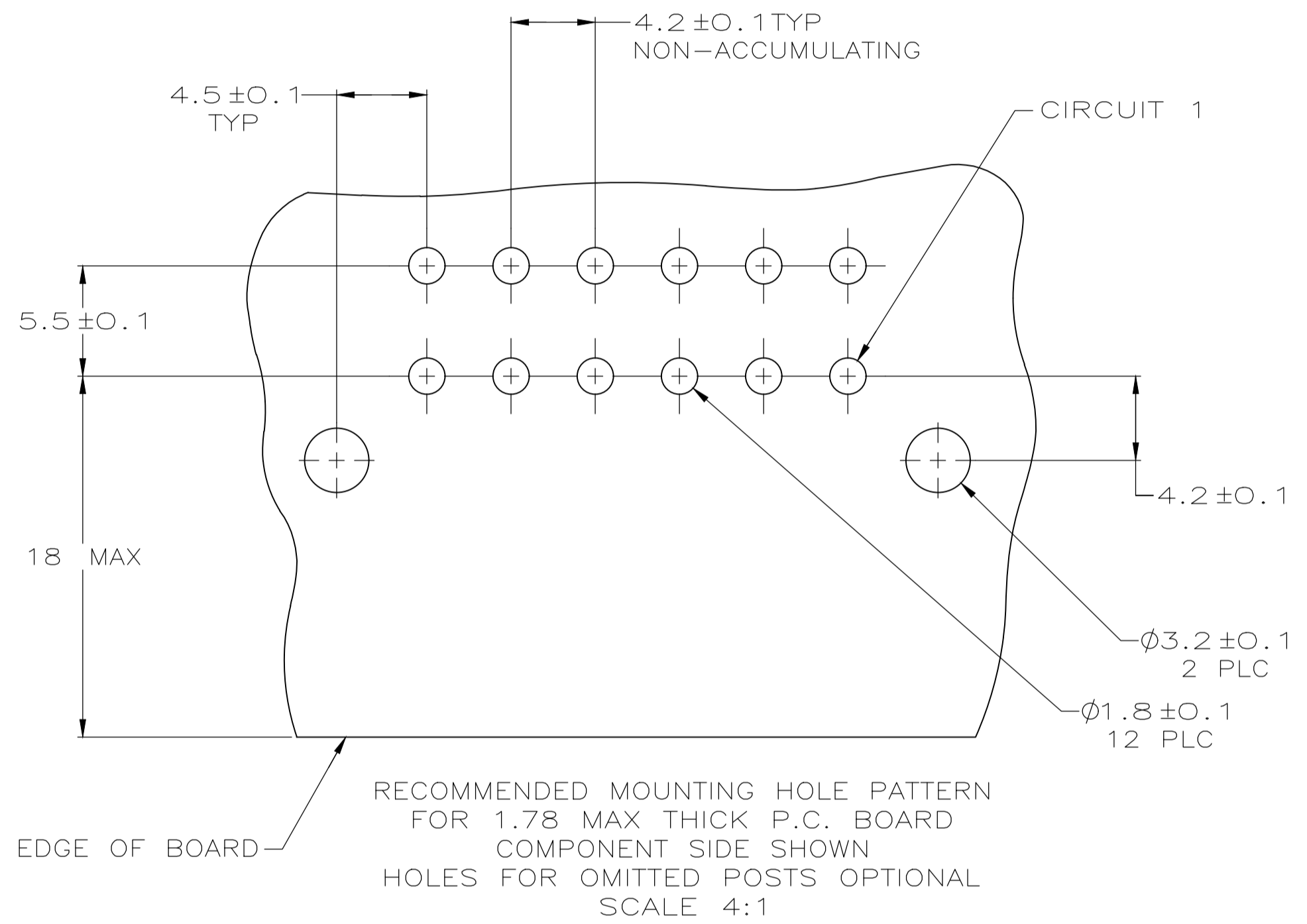


SECTION B-B

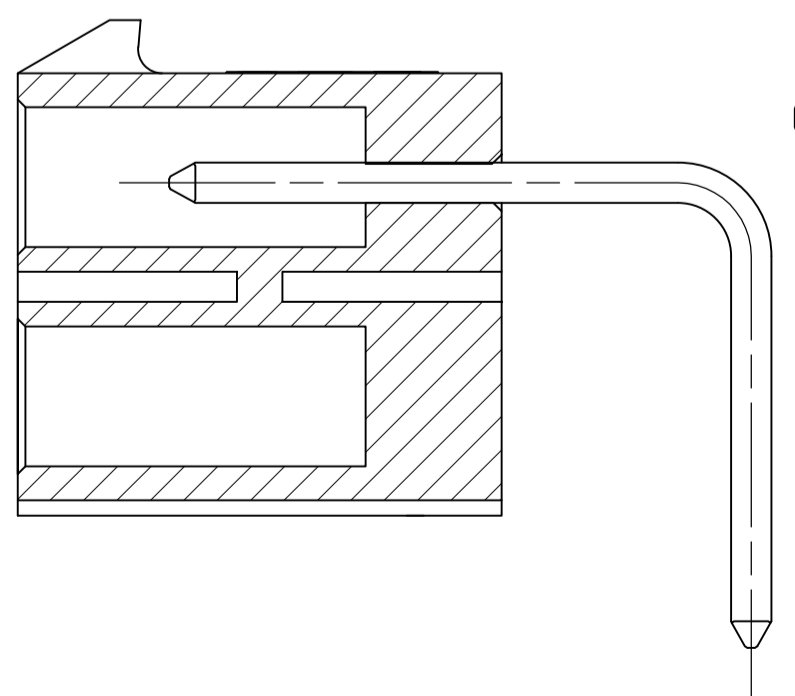
- 1 CONTACT: 0.00076 GOLD AT INTERFACE. 0.00254 MIN MATTE TIN ON SOLDER TAIL. 0.00127 MIN NICKEL UNDERPLATE ALL OVER.
- 2 MATES WITH AMP-DUAC/PL PLUG RECEPTACLE 794156 AND ITS CONTACTS.
- 3 CLEARANCE ENVELOPE FOR MATING PLUG RECEPTACLE LATCH.
- 5 ALL POSTS STANDARD.
- 6 CONTACT GROUND POST LOCATED IN CIRCUIT 4.
- 7 POST 10 OMITTED.
- 8 POST 12 OMITTED.
- 9 POST 2,5,7,12 OMITTED.
- 10 POST 5 OMITTED.
- 11 CONTACT GROUND POST LOCATED IN CIRCUITS 3 AND 4.
- 12 POSITIONS 1 AND 12 MOLDED SHUT.
- 13 POSITIONS 5, 10 AND 12 OMITTED.
- 14 GROUND POSTS IN LOCATIONS:1,2,5,6,7,8,11,12



SECTION A-A



3-DIMENSIONAL MODEL NTS



SECTION C-C APPLIES TO -8 ONLY

OBSOLETE

METRIC

5794176-5 SHOWN

	PIN	FINISH	MATERIAL	HOUSING	COLOR	PART NUMBER
14	BRASS	1	PBT, UL94V-0	NATURAL(WHITE)		5794176-9
6/3	BRASS	1	PBT, UL94V-0	NATURAL(WHITE)		5794176-8
6/0	BRASS	1	PBT, UL94V-0	NATURAL(WHITE)		5794176-7
9/1	BRASS	1	PBT, UL94V-0	NATURAL(WHITE)		5794176-6
6/8	BRASS	1	PBT, UL94V-0	NATURAL(WHITE)		5794176-5
6/7	BRASS	1	PBT, UL94V-0	NATURAL(WHITE)		5794176-4
6	BRASS	1	PBT, UL94V-0	NATURAL(WHITE)		5794176-3
5	BRASS	1	PBT, UL94V-0	NATURAL(WHITE)		5794176-2

THIS DRAWING IS A CONTROLLED DOCUMENT.		DIN R GRZYBOWSKI 04MAR05		TE Connectivity Ltd.	
DIMENSIONS: mm		TOLERANCES UNLESS OTHERWISE SPECIFIED:		APVD A FRANTUM 04MAR05	
0 PLC ± -		1 PLC ± 0.2		NAME	
2 PLC ± 0.13		3 PLC ± -		PRODUCT SPEC	
4 PLC ± -		ANGLES ± ± 0° 30'		APPLICATION SPEC	
MATERIAL SEE TABLE		FINISH SEE TABLE		SIZE CAGE CODE DRAWING NO	
				114-6067	
				RESTRICTED TO	
				WEIGHT 0	
				A1 00779 5794176	
				CUSTOMER DRAWING	
				SCALE 5:1 SHEET 1 OF 1 REV A5	

单击下面可查看定价，库存，交付和生命周期等信息

[>>TE Connectivity\(泰科\)](#)