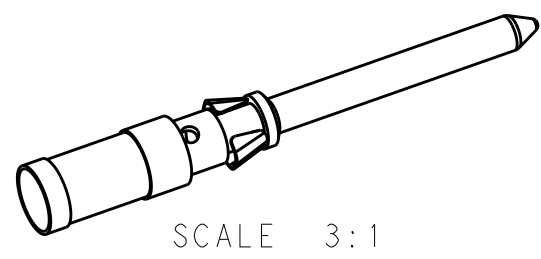
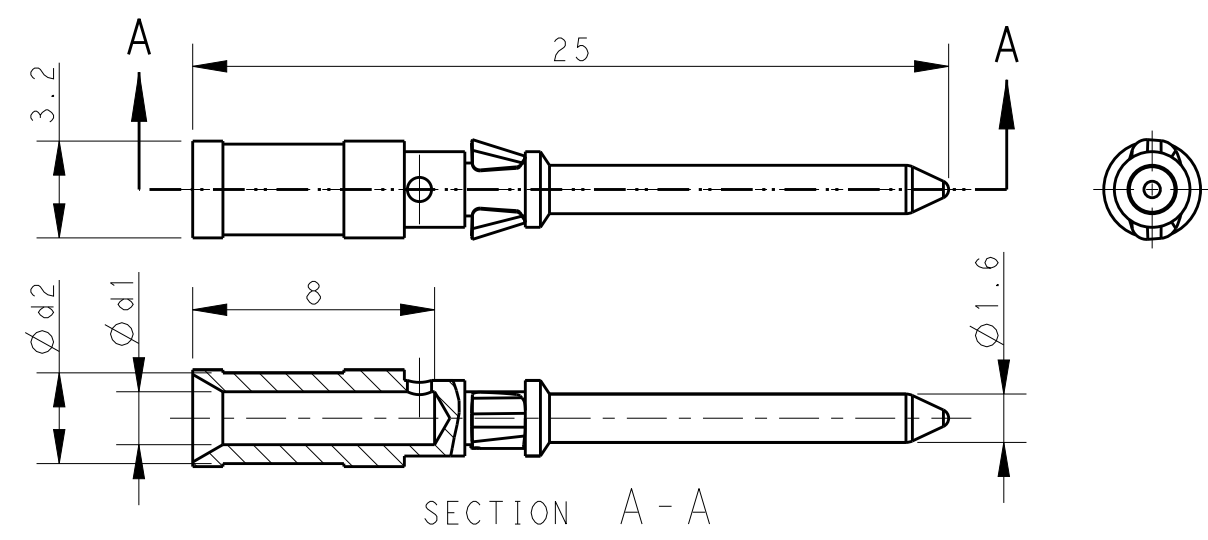


THIS DRAWING IS UNPUBLISHED. RELEASED FOR PUBLICATION 20
 © COPYRIGHT 20 BY - ALL RIGHTS RESERVED.

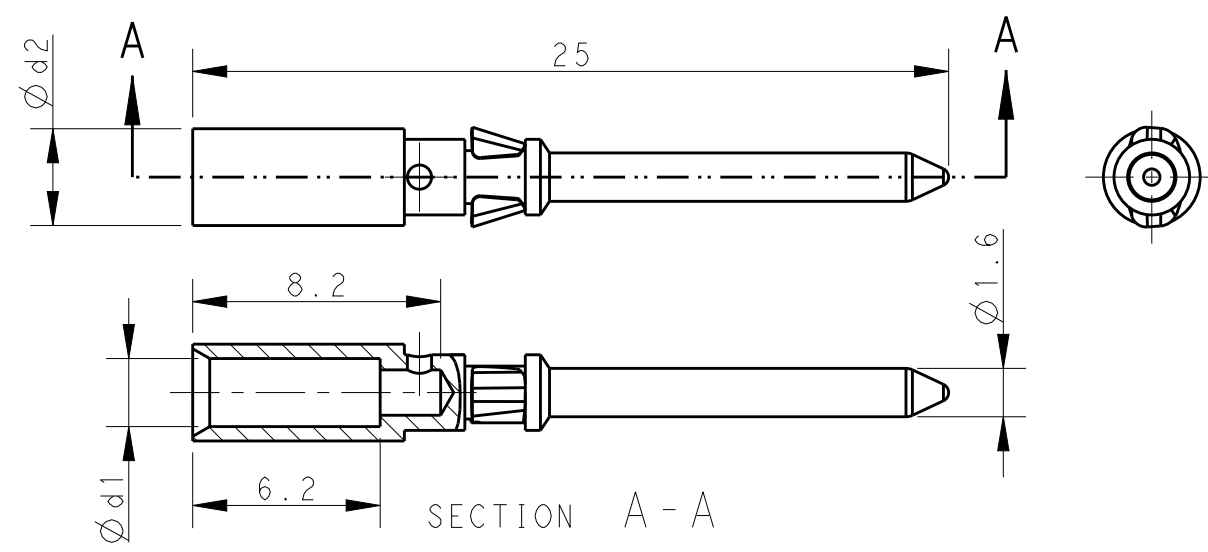
P	LTR	DESCRIPTION	DATE	DWN	APVD
	A	INITIAL RELEASE	14MAR2018	DW	CW



1) $\phi d1 = 0.90, 1.10, 1.30, 1.45, 1.75$



2) $\phi d1 = 2.25$



NOTES:
 1. TECHNICAL CHARACTERISTICS:
 PIN CONTACT MATERIAL: BRASS
 SURFACE PLATING:
 SILVER PLATING: $\geq 2\mu m$
 GOLD PLATING: $\geq 0.75\mu m$
 CONTACT RESISTANCE: $\leq 5 m\Omega$
 WIRE RANGE: 0.14-2.5 mm² (26-14 AWG)
 OPERATION TEMPERATURE: -40-+125°C
 2. PACKAGING: 1000 PCS/BOX, 8000 PCS/CARTON

注释:
 1. 技术参数:
 公针材料: 黄铜
 表面电镀:
 镀银: $\geq 2\mu m$
 镀金: $\geq 0.75\mu m$
 接触电阻: $\leq 5 m\Omega$
 接线范围: 0.14-2.5 mm² (26-14 AWG)
 工作温度: -40-+125°C
 2. 包装: 1000 PCS/盒, 8000 PCS/箱

SILVER PLATING 镀银			GOLD PLATING 镀金			$\phi d1$	$\phi d2$	WIRE GAUGE 线规		STRIPPING LENGTH 剥线长度 (mm)
PART NUMBER 料号	PART DESCRIPTION 描述		PART NUMBER 料号	PART DESCRIPTION 描述				MM ²	AWG	
T2020001002-002	CDM-0.3	CDM-0.3, SILVER PLATING DD公针 0.14-0.37mm ² , 镀银	T2020011002-002	DDM-0.3	DDM-0.3, GOLD PLATING DD公针 0.14-0.37mm ² , 镀金	0.90	2.55	0.14-0.37	26-22	8
T2020001005-002	CDM-0.5	CDM-0.5, SILVER PLATING DD公针 0.5mm ² , 镀银	T2020011005-002	DDM-0.5	DDM-0.5, GOLD PLATING DD公针 0.5mm ² , 镀金	1.10	2.60	0.5	20	
T2020001008-002	CDM-0.75	CDM-0.75, SILVER PLATING DD公针 0.75mm ² , 镀银	T2020011008-002	DDM-0.75	DDM-0.75, GOLD PLATING DD公针 0.75mm ² , 镀金	1.30	2.60	0.75	18	
T2020001010-002	CDM-1.0	CDM-1.0, SILVER PLATING DD公针 1.0mm ² , 镀银	T2020011010-002	DDM-1.0	DDM-1.0, GOLD PLATING DD公针 1.0mm ² , 镀金	1.45	2.60	1.0	18	
T2020001015-002	CDM-1.5	CDM-1.5, SILVER PLATING DD公针 1.5mm ² , 镀银	T2020011015-002	DDM-1.5	DDM-1.5, GOLD PLATING DD公针 1.5mm ² , 镀金	1.75	3.00	1.5	16	
T2020001025-002	CDM-2.5	CDM-2.5, SILVER PLATING DD公针 2.5mm ² , 镀银	T2020011025-002	DDM-2.5	DDM-2.5, GOLD PLATING DD公针 2.5mm ² , 镀金	2.25	3.20	2.5	14	6.2

THIS DRAWING IS A CONTROLLED DOCUMENT.

DIMENSIONS: mm	TOLERANCES UNLESS OTHERWISE SPECIFIED:
	0 PLC ±-
	1 PLC ±-
	2 PLC ±-
	3 PLC ±-
	4 PLC ±-
	ANGLES ±-
MATERIAL	FINISH
-	-

DWN	05MAR2018
DAVID WANG	
CHK	05MAR2018
GINO YAO	
APVD	05MAR2018
CHRIS WANG	
PRODUCT SPEC	108-137042
APPLICATION SPEC	114-137042
WEIGHT	-
CUSTOMER DRAWING	

STE TE Connectivity

NAME: CDM/DDM HD/HDD PIN CONTACT

SIZE	CAGE CODE	DRAWING NO	RESTRICTED TO
A3	00779	©-T20200X10XX002	-

SCALE 4:1 SHEET 1 OF 1 REV A

单击下面可查看定价，库存，交付和生命周期等信息

[>>TE Connectivity\(泰科\)](#)