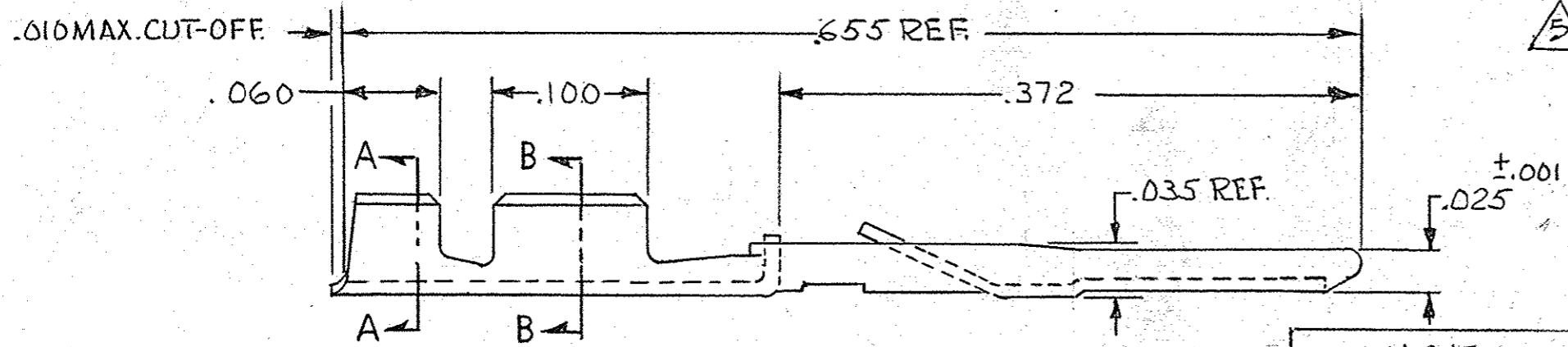
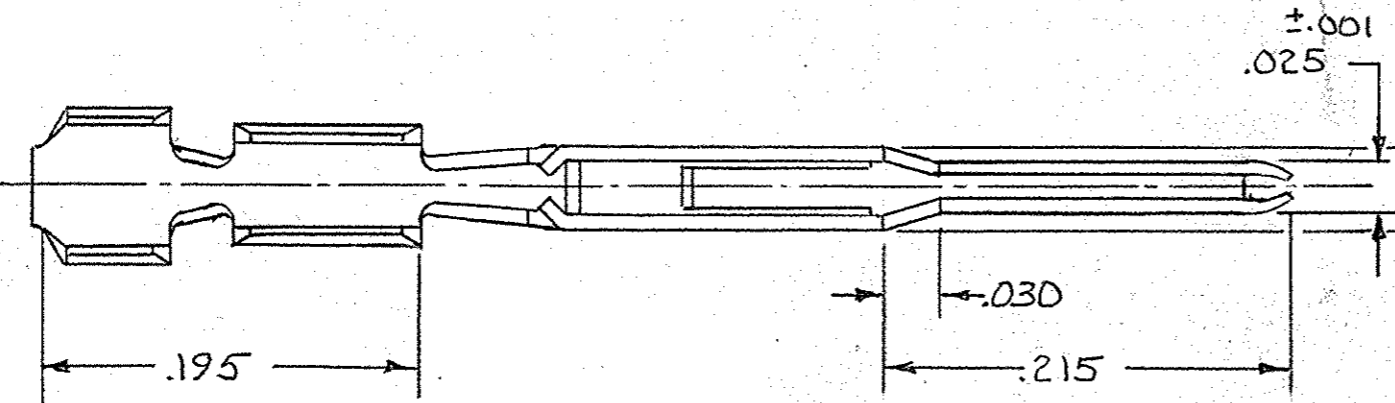


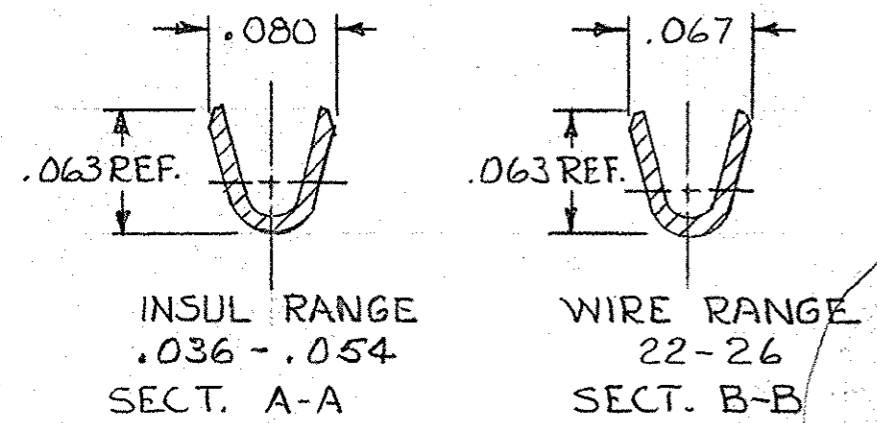
© COPYRIGHT 1975 BY AMP INCORPORATED, HARRISBURG, PA. ALL INTERNATIONAL RIGHTS RESERVED. AMP INCORPORATED PRODUCTS COVERED BY U. S. AND FOREIGN PATENTS AND/OR PATENTS PENDING.

Unpublished copy not to be reproduced without written permission of AMP Inc.

		REVISIONS				
P	F	ZONE	LTR	DESCRIPTION	DATE	APPROVED
	✓		0	RELEASED 5087-963	DR 4-76	
	✓		01	REVISED 5486	RS 4-78	M.S. 1/79
02	✓		02	REVISED 6924	M.S. 10-80	R-10
✓	✓		A	REV 0600-2369-94 TA	1-95	JAM
			B	ADD-6 PER 1063D-0092-02 CT	3-02	DN
			C	REV PER PH14-0249-05	9/05	AA/DJ



- ① .000030 GOLD OVER .000050 NICKEL
- ② .000050 GOLD OVER .000050 NICKEL
- 3 USE IN BOX HOUSING ASS'Y NO 530752
- ④ .000100 MIN THK 93/7 TIN LEAD OVER .000050 MIN THK NICKEL.
- ⑤ .000100 MIN THK TIN PER ASTM-B-545 OVER .000050 MIN THK NICKEL.



NONE	STRIP	⑤	5-530750-6
NONE	STRIP	④	530750-6
M55302/113-05	LOOSE PIECE	②	530750-5
M55302/113-06	STRIP	②	530750-4
OBSOLETE	NONE	①	530750-3
OBSOLETE	NONE	①	530750-2
MILITARY P/N	DESCRIPTION	FINISH	PART NO

UNLESS OTHERWISE SPECIFIED DIMENSIONS ARE IN INCHES. TOLERANCES ON: DECIMALS ± .005 ANGLES ±	CONTRACT NO	AMP INCORPORATED Harrisburg, Pa.	
	DR <i>Rumble 4-21-76</i>		
MATERIAL BRASS	CHK <i>R. Williams 4-21-76</i>	NAME BOX CONNECTOR PIN CONTACT, CRIMP.	
	APPD <i>R. Williams 4-21-76</i>	SIZE B	CODE IDENT NO 00779
FINISH SEE TABLE	APPD <i>R. Shuman 4-21-76</i>	DRAWING NO 530750	
	DSGN APPD	SCALE 10-1	SHEET 1 of 1
OTHER APPD			

单击下面可查看定价，库存，交付和生命周期等信息

[>>TE Connectivity\(泰科\)](#)