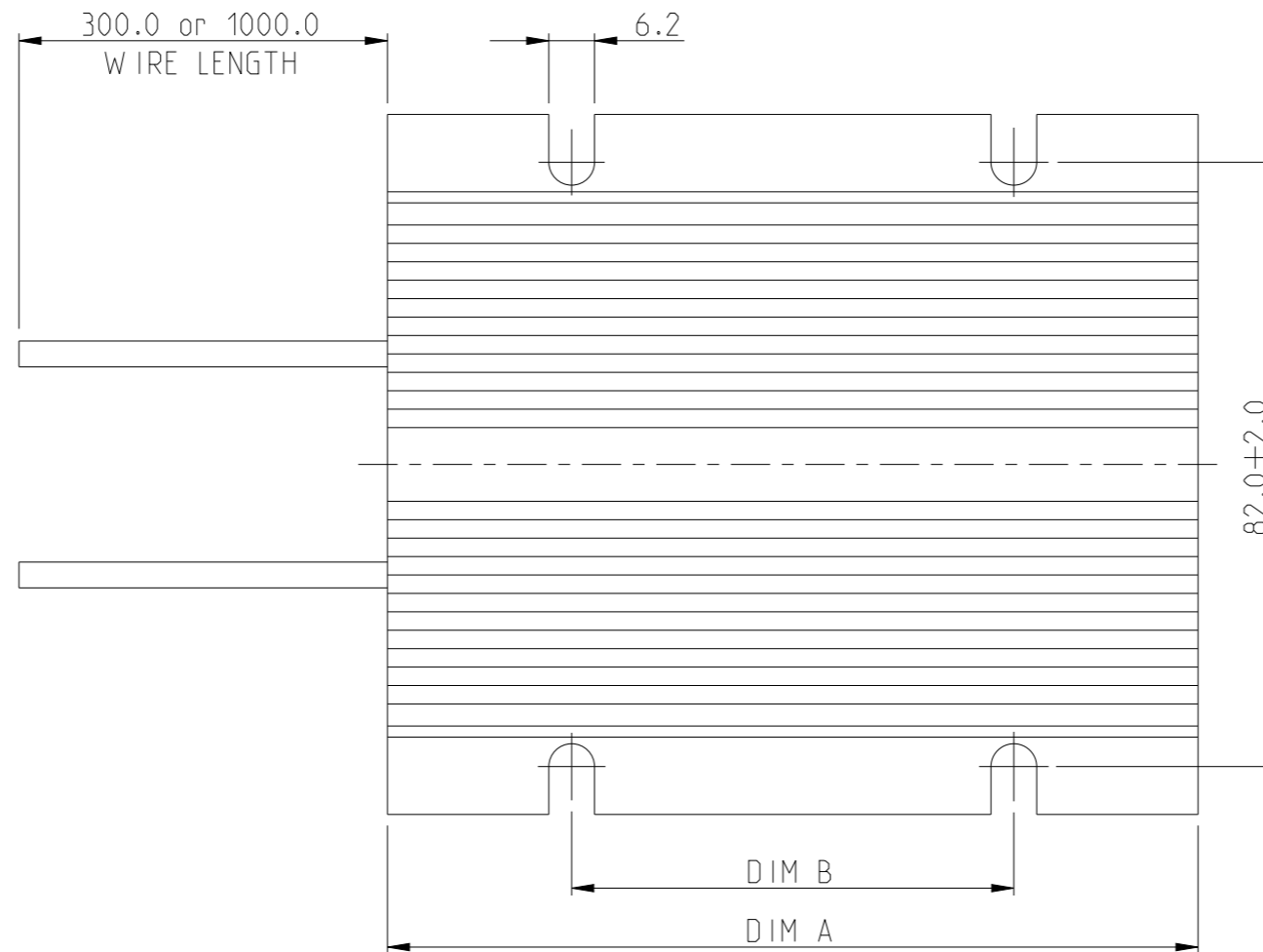
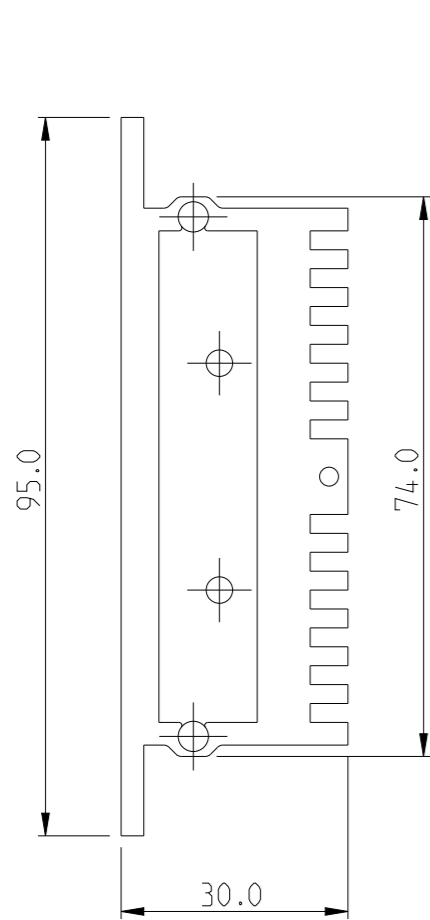
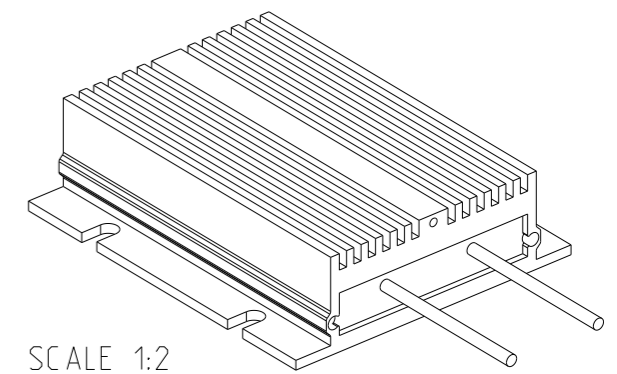


P	LTR	DESCRIPTION	DATE	DWN	APVD
A		NEW RELEASE	24-MAR-09	SM	JC
C		ECR-20-017380	08DEC2020	SB	AP

- 1 FOR FURTHER INFORMATION SEE DATA SHEET FOR CFH SERIES-ALUMINIUM HOUSED POWER RESISTORS
- 2 FOR A SPECIFIC PN FOR A RESISTANCE VALUE AND TOLERANCE, PLEASE REFER TO DMF



RoHS Compliant



4	CFH1100	1100	320.0	240.0
3	CFH750	750	220.0	140.0
2	CFH500	500	160.0	110.0
1	CFH350	350	110.0	60.0
ITEM	SERIES	POWER (W)	DIM A	DIM B

THIS DRAWING IS A CONTROLLED DOCUMENT.		DWN	24-MAR-09		
		CHK	24-MAR-09		
		APVD	24-MAR-09		
		PRODUCT SPEC	J. CATCHPOLE		
DIMENSIONS:		NAME			
mm		ALUMINIUM HOUSED POWER RESISTOR			
		SERIES CFH			
TOLERANCES UNLESS OTHERWISE SPECIFIED:		SIZE		CAGE CODE	DRAWING NO
0 PLC	±0.5	A3		00779	©=1623821
1 PLC	±0.2	RESTRICTED TO			
2 PLC	±0.1				
3 PLC	±				
4 PLC	±				
ANGLES	±0.5°				
MATERIAL	FINISH	SCALE		SHEET	REV
-	-	1:1		1 OF 1	C
		CUSTOMER DRAWING			

单击下面可查看定价，库存，交付和生命周期等信息

[>>TE Connectivity\(泰科\)](#)