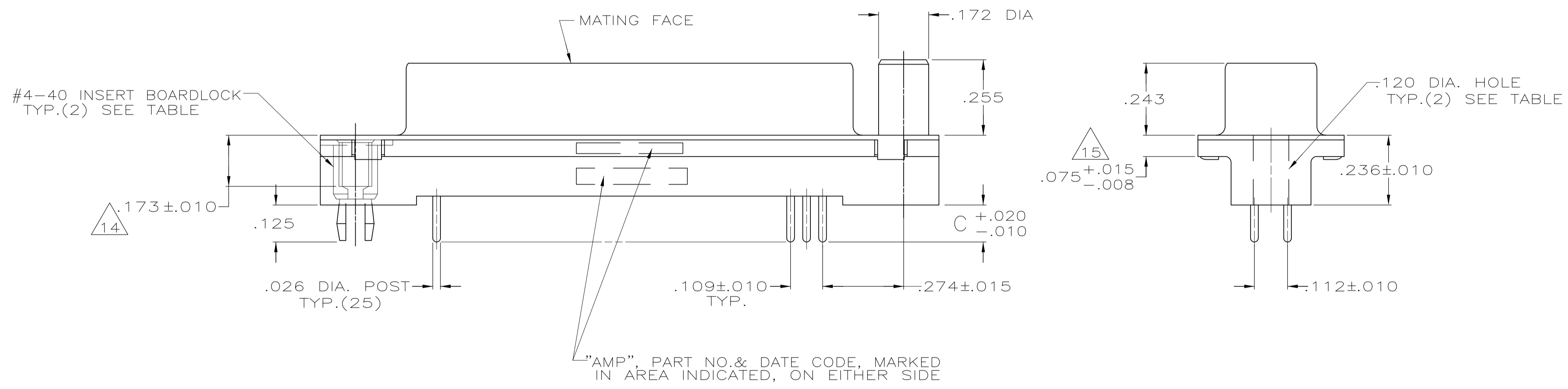
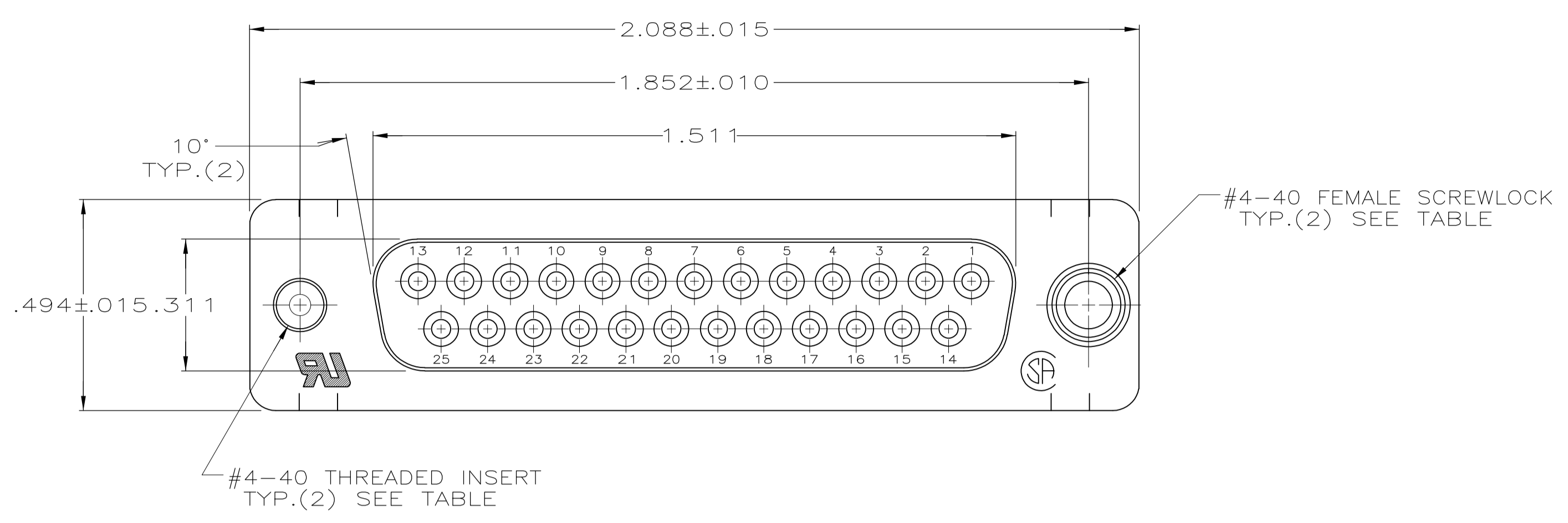
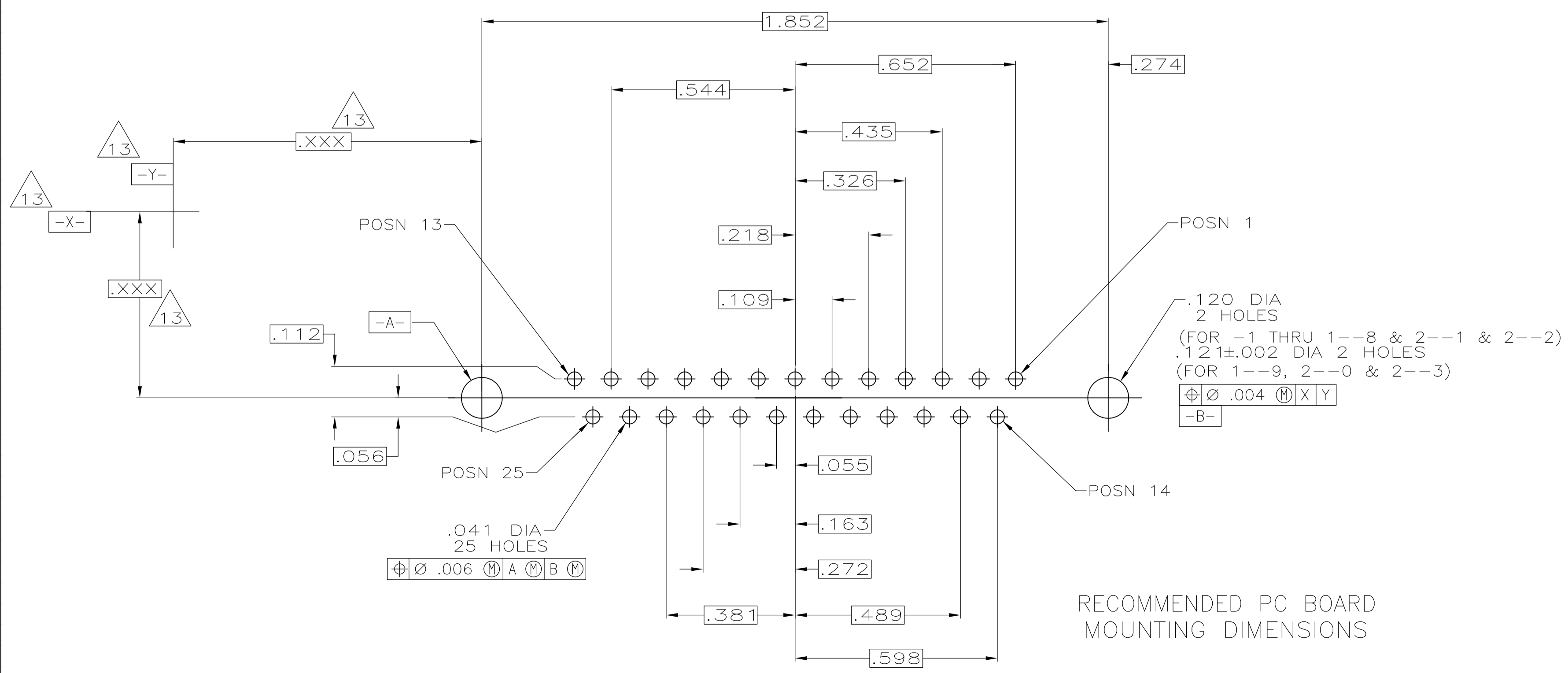


REVISIONS				
P	LTR	DESCRIPTION	DATE	BY
T		REVISED PER ECO-16-001548	24FEB2016	AP DG



- △ FLAME RETARDANT 94V-0 RATED THERMOPLASTIC; COLOR: BLACK.
- △ CARBON STEEL.
- △ PHOS. BRONZE.
- △ INSERTS & BOARDLOCKS: BRASS, SCREWLOCKS: ZINC.
- 5. NOTE DELETED.
- △ .000200 MIN TIN OVER .000100 MIN COPPER.
- △ INSERTS: UNPLATED, SCREWLOCKS: UNPLATED, BOARDLOCKS: TIN OVER COPPER.
- △ GOLD FLASH FOR LENGTH OF .100 MIN FROM MATING END, .000100-.000200 BRIGHT TIN OR BRIGHT TIN LEAD ON TERMINATION END, ALL OVER .000050 NICKEL ON ENTIRE CONTACT.
- △ .000030 GOLD FOR LENGTH OF .100 MIN FROM MATING END, .000100-.000200 BRIGHT TIN OR BRIGHT TIN LEAD ON TERMINATION END, ALL OVER .000050 NICKEL ON ENTIRE CONTACT.
- △ .000010 GOLD FOR LENGTH OF .100 MIN FROM MATING END, .000100-.000200 BRIGHT TIN OR BRIGHT TIN LEAD ON TERMINATION END, ALL OVER .000050 NICKEL ON ENTIRE CONTACT.
- 11. NOTE DELETED.
- △ CONTACTS SELECTIVELY LOADED IN POSITIONS 1 THRU 19 AND 21 THRU 25.
- △ DATUMS AND BASIC DIMENSIONS ESTABLISHED BY CUSTOMER.
- △ RECOMMENDED SCREWLOCK IS 5747877-3 WITH RETENTION INSERTS.
- △ .110 MAX IN SHELL TAB CLINCH AREAS.



△12	SUPERSEDED BY 2-747708-0	W/INSERT BOARDLOCKS	△9	.125	2-747708-3
	SUPERSEDED BY 1-745967-6	W/FEMALE SCREWLOCKS	△9	.170	2-747708-2
	OBSOLETE	W/ THREADED INSERTS	△10	.125	2-747708-1
		WITH INSERT BOARDLOCKS	△9	.125	2-747708-0
	OBSOLETE	WITH FEMALE SCREWLOCKS	△8	.125	1-747708-9
	OBSOLETE		△9	.250	1-747708-8
	OBSOLETE		△8	.250	1-747708-7
	OBSOLETE		△9	.170	1-747708-6
	OBSOLETE		△8	.170	1-747708-5
	SUPERSEDED BY 1-745967-4	WITH THREADED INSERTS	△9	.125	1-747708-4
	OBSOLETE		△8	.125	1-747708-3
	OBSOLETE		△9	.250	1-747708-2
	OBSOLETE		△8	.250	1-747708-1
	SUPERSEDED BY 745967-8	WITH .120 DIA. HOLE	△9	.170	1-747708-0
	OBSOLETE		△8	.170	747708-9
	OBSOLETE		△9	.125	747708-8
	OBSOLETE		△8	.125	747708-7
	OBSOLETE		△9	.250	747708-6
	OBSOLETE	WITH .120 DIA. HOLE	△8	.250	747708-5
	OBSOLETE		△9	.170	747708-4
	OBSOLETE		△8	.170	747708-3
	SUPERSEDED BY 745967-2		△9	.125	747708-2
	SUPERSEDED BY 745967-1		△8	.125	747708-1

RECOMMENDED PC BOARD MOUNTING DIMENSIONS

THIS DRAWING IS A CONTROLLED DOCUMENT.

DIMENSIONS: INCHES	TOLERANCES UNLESS OTHERWISE SPECIFIED:	DIN S. WELDON 2-27-85	APVD	NAME
0. PLC ± -	1. PLC ± -	CHK: J. GERACE	APVD	TE Connectivity
2. PLC ± -	3. PLC ± .005			PRODUCT SPEC 108-40025
4. PLC ± -	ANGLES ± -			APPLICATION SPEC 114-40023

MATERIAL: HOUSING: △ SHELL: △ CONTACTS: △ INSERTS, SCREWLOCKS AND BOARDLOCKS: △	FINISH: SHELL: △ CONTACTS: SEE TABLE INSERTS, SCREWLOCKS & BOARDLOCKS: △	WEIGHT	SIZE	CAGE CODE	DRAWING NO	RESTRICTED TO
			A1	00779	747708	

CUSTOMER DRAWING SCALE NTS SHEET 1 of 1 REV T

单击下面可查看定价，库存，交付和生命周期等信息

[>>TE Connectivity\(泰科\)](#)

[>>点击查看相关商品](#)