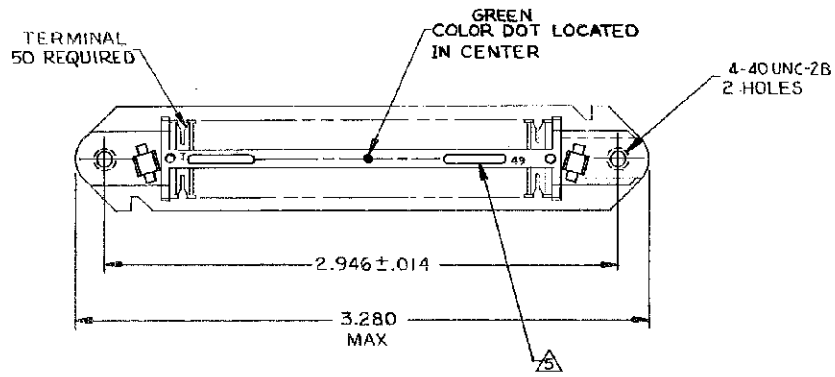
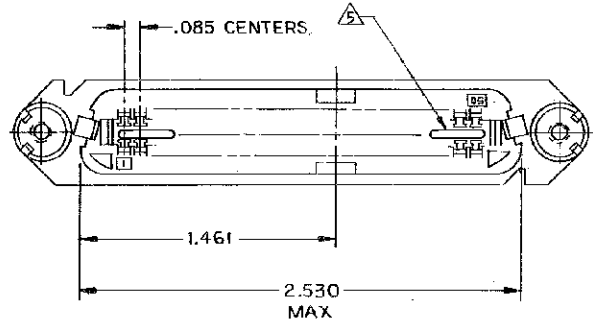
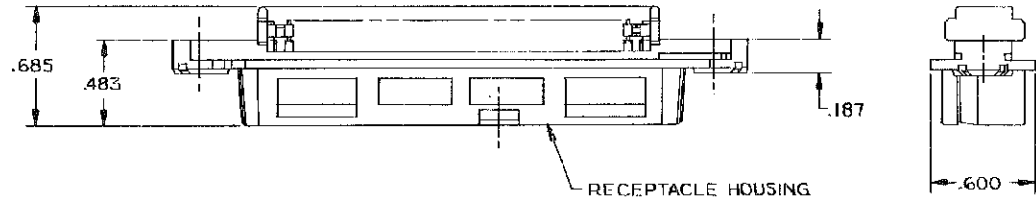


THIS DRAWING IS UNPUBLISHED. RELEASED FOR PUBLICATION  
 © COPYRIGHT BY TYCO ELECTRONICS CORPORATION. ALL RIGHTS RESERVED.

LOC		DST		REVISIONS			
GP	00	REV	DATE	BY	CHKD	APPD	
		AD	REVISED PER ECO-08-007327	26JAN2009	ZMR	WLM	



1. THE CONTACT SURFACES OF THE TERMINALS ARE COATED WITH LUBRICANT.
  2. ALL DIMENSIONS SHOWN ARE FOR REFERENCE ONLY UNLESS OTHERWISE SPECIFIED.
- ⚠ MATERIAL:  
 HOUSING - THERMOPLASTIC (BLACK)  
 TERMINALS - HIGH STRENGTH COPPER ALLOY PLATED WITH EITHER .000030 MIN GOLD OR GOLD FLASH OVER PALLADIUM NICKEL, .000030 MIN TOTAL ON CONTACT MATING SURFACE. .000050 MIN NICKEL UNDERPLATE OVER ENTIRE TERMINAL.
4. WIRE SIZE: 22 AWG SOLID OR 22 AWG 7 STRANDS OF COPPER CONDUCTORS. MAX INSULATION DIAMETER OF .045 IS ACCEPTABLE FOR MOST APPLICATIONS.
- ⚠ CORING MAY OR MAY NOT APPEAR AND IS AT THE DISCRETION OF TYCO ELECTRONICS.



BLACK	552064-1
COLOR	PART NO

THIS DRAWING IS A CONTROLLED DOCUMENT.		DRN STEPHEN DDSS 2-12-80	Tyco Electronics Corporation Harrisburg, PA 17105-3608
		CHK V. E. SLACK 2-14-80	
DIMENSIONS: INCHES		APRD B.G. WARD 2-14-80	RECEPTACLE ASSEMBLY, 50 POSITIONS, C SLOT W/ 4-4D HOLES, CHAMP-LOK
TOLERANCES UNLESS OTHERWISE SPECIFIED:		NAME	
0 PLC ± -		PRODUCT SPEC	
1 PLC ± -		APPLICATION SPEC	
2 PLC ± -			
3 PLC ± -			
4 PLC ± -			
ANGLES ± -			
MATERIAL	FINISH	WEIGHT	RESTRICTED TO
⚠	⚠	-	
CUSTOMER DRAWING		SCALE	
		SIZE	
		DWG CODE	
		DRAWING NO	
		A2 00779 C=552064	
		SHEET	
		1 of 1	
		REV	
		AD	

单击下面可查看定价，库存，交付和生命周期等信息

[>>TE Connectivity\(泰科\)](#)