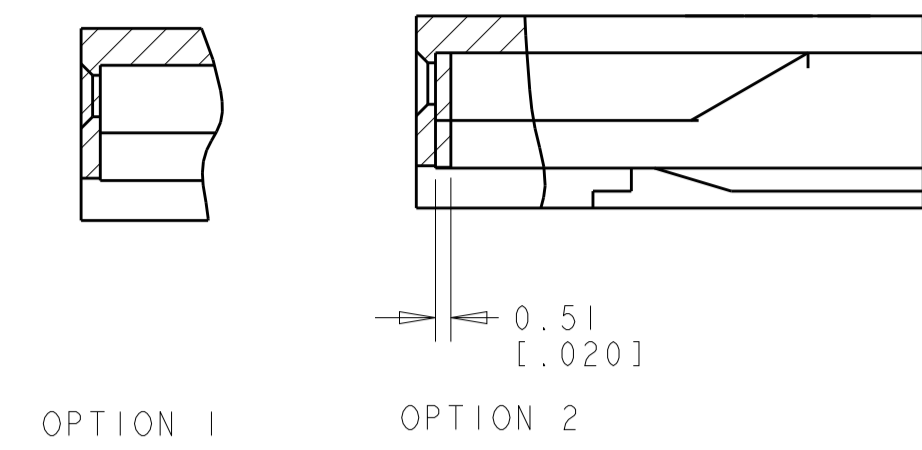
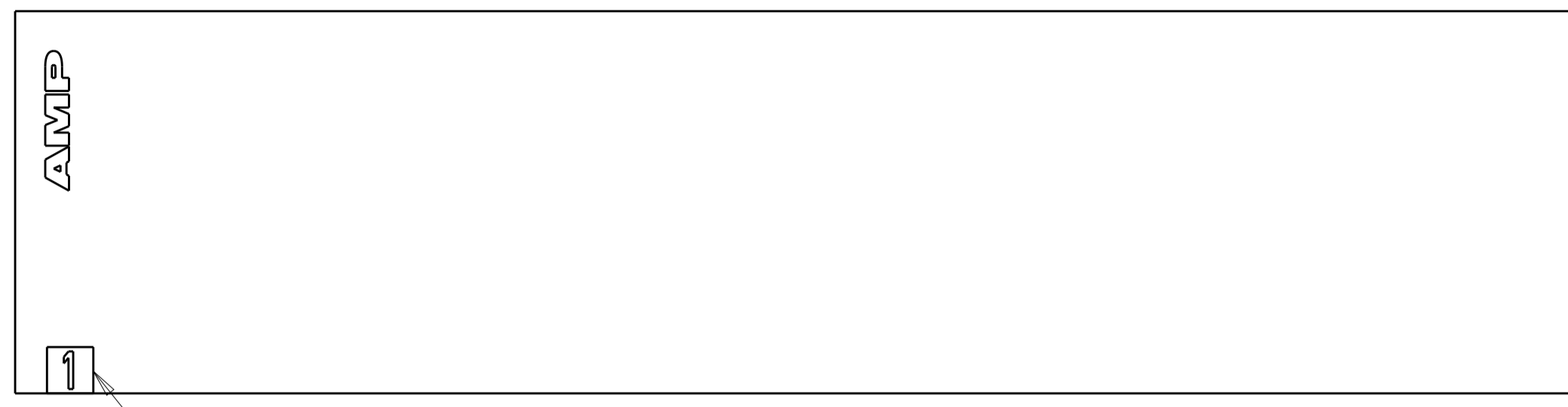
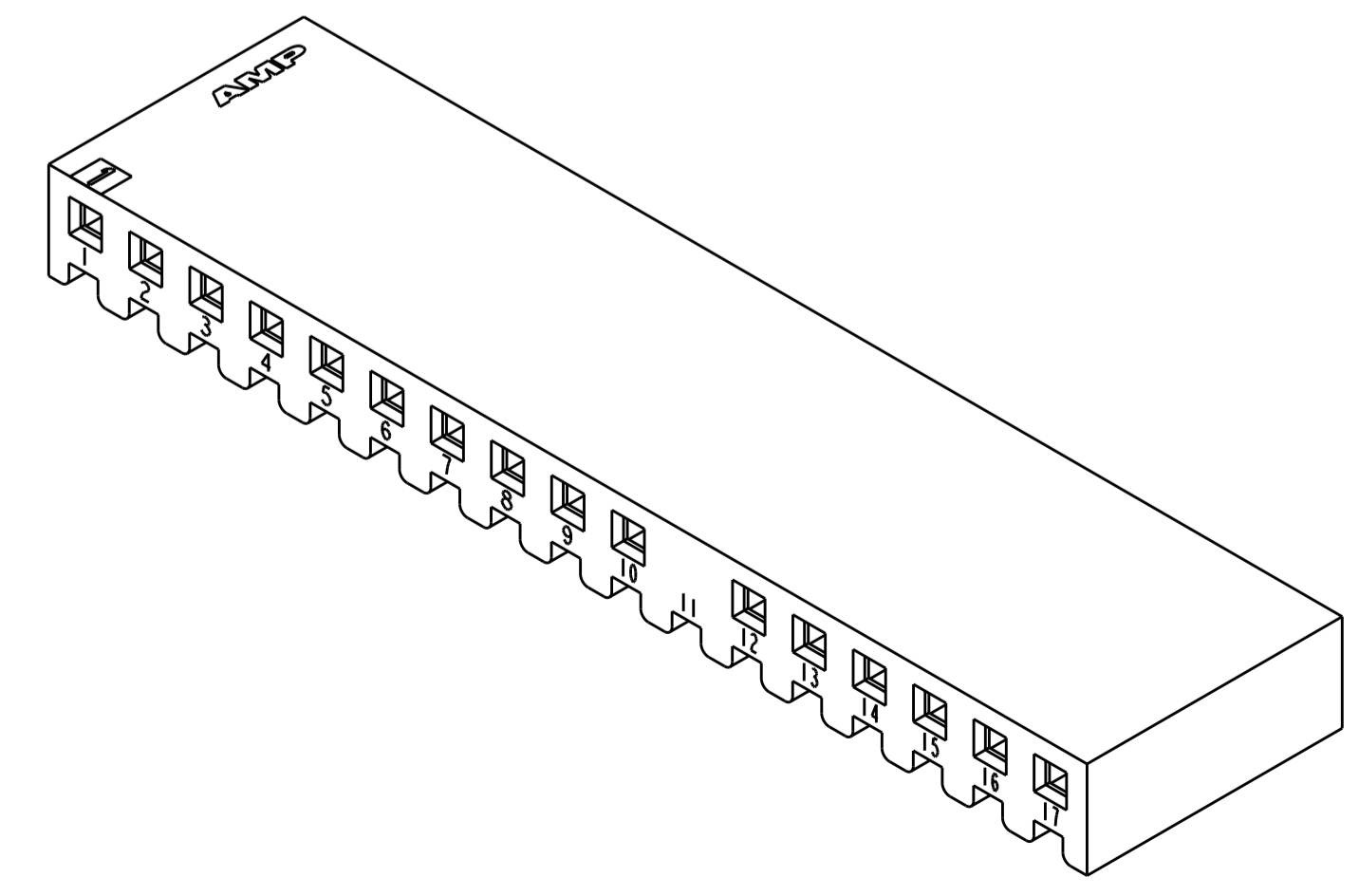
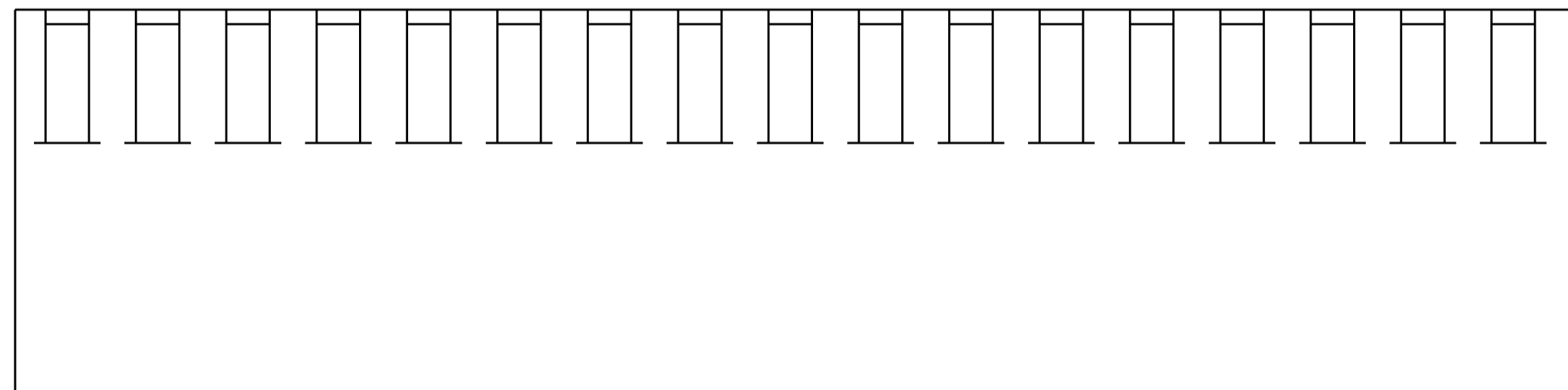
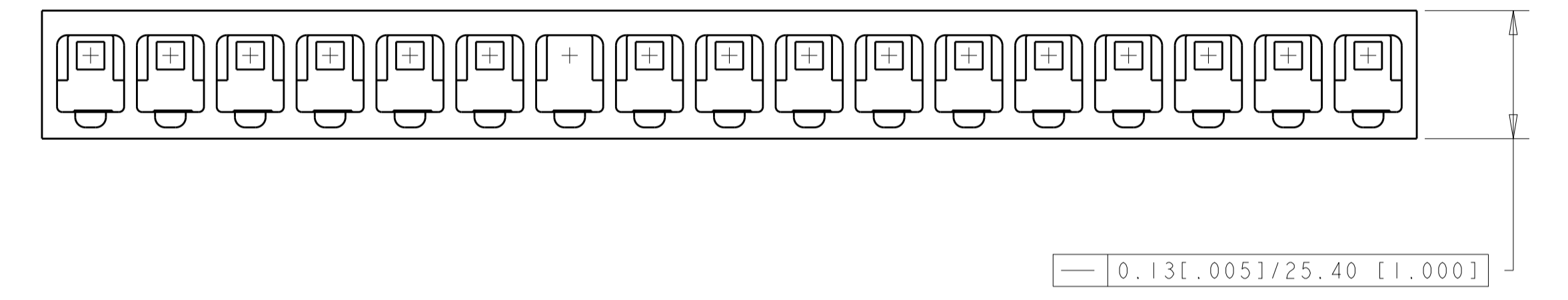
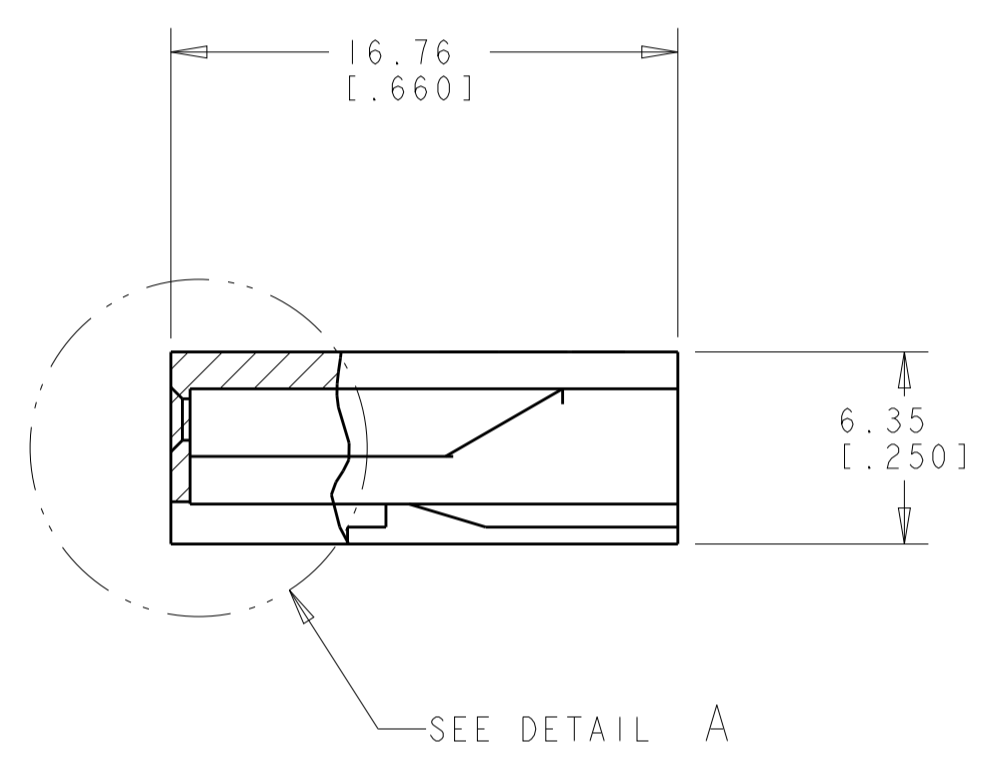
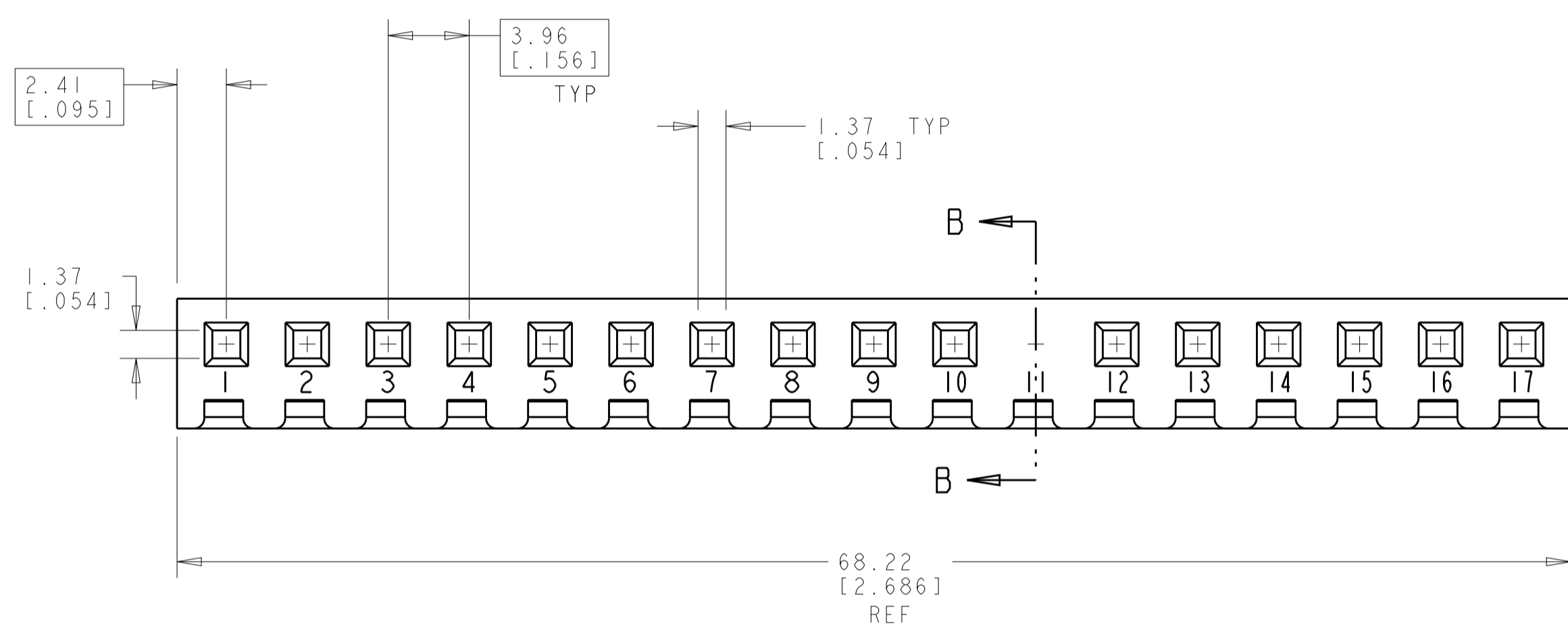


LOC	DIST	REVISIONS					
		P.	LTN	DESCRIPTION	DATE	DWN	APVD
CM	00	B		REVISED PER ECO-12-007810	28JUL2012	KH	SM



DETAIL A
 SCALE 4:1

- UNIT ACCEPTS 1.14 [.045] SQUARE OR ROUND POST.
- UNIT ACCEPTS STANDARD SL-156 CONTACTS.
- UNIT ACCEPTS KEYING PLUG 640254-1 AND KEYING PIN 640255-1.
- CIRCUIT I.D. NUMBER(S) TO BE LOCATED SEQUENTIALLY AS SHOWN OR ONLY NO. 1 CIRCUIT PLACED ON LOCKING RAMP.
- DIMENSION IN BRACKETS ARE IN INCHES.
- DETAIL A SHOWS CIRCUIT 11 MOLDED CLOSED. EITHER OPTION 1 OR OPTION 2 MAY BE USED.
- ACCEPTS UP TO 2.79 [.110] INSULATION WIRE.



3-DIMENSIONAL MODEL
 SCALE 3:1

17	1-647418-7
NO OF CIRCUITS	PART NUMBER

THIS DRAWING IS A CONTROLLED DOCUMENT.		DWN K. WHITAKER 11-FEB-04	TE Connectivity	
DIMENSIONS: mm [INCHES]		CHK J. ELLIS 11-FEB-04	NAME HOUSING, WITH LOCKING RAMP, SL-156, FOR LARGE WIRE INSULATION, CIRCUIT 11 BLOCKED	
TOLERANCES UNLESS OTHERWISE SPECIFIED:		APVD J. ELLIS 11-FEB-04	PRODUCT SPEC	
0 PLC ±		APPLICATION SPEC		
1 PLC ± .013 [.005]		SIZE CAGE CODE DRAWING NO RESTRICTED TO		
2 PLC ±		A100779C=647418		
3 PLC ±		SCALE 4:1 SHEET 1 OF 1 REV B		
4 PLC ±		CUSTOMER DRAWING		
ANGLES ± 40° 30'				
FINISH				
MATERIAL NYLON, UL 94V-0 NATURAL				

单击下面可查看定价，库存，交付和生命周期等信息

[>>TE Connectivity\(泰科\)](#)