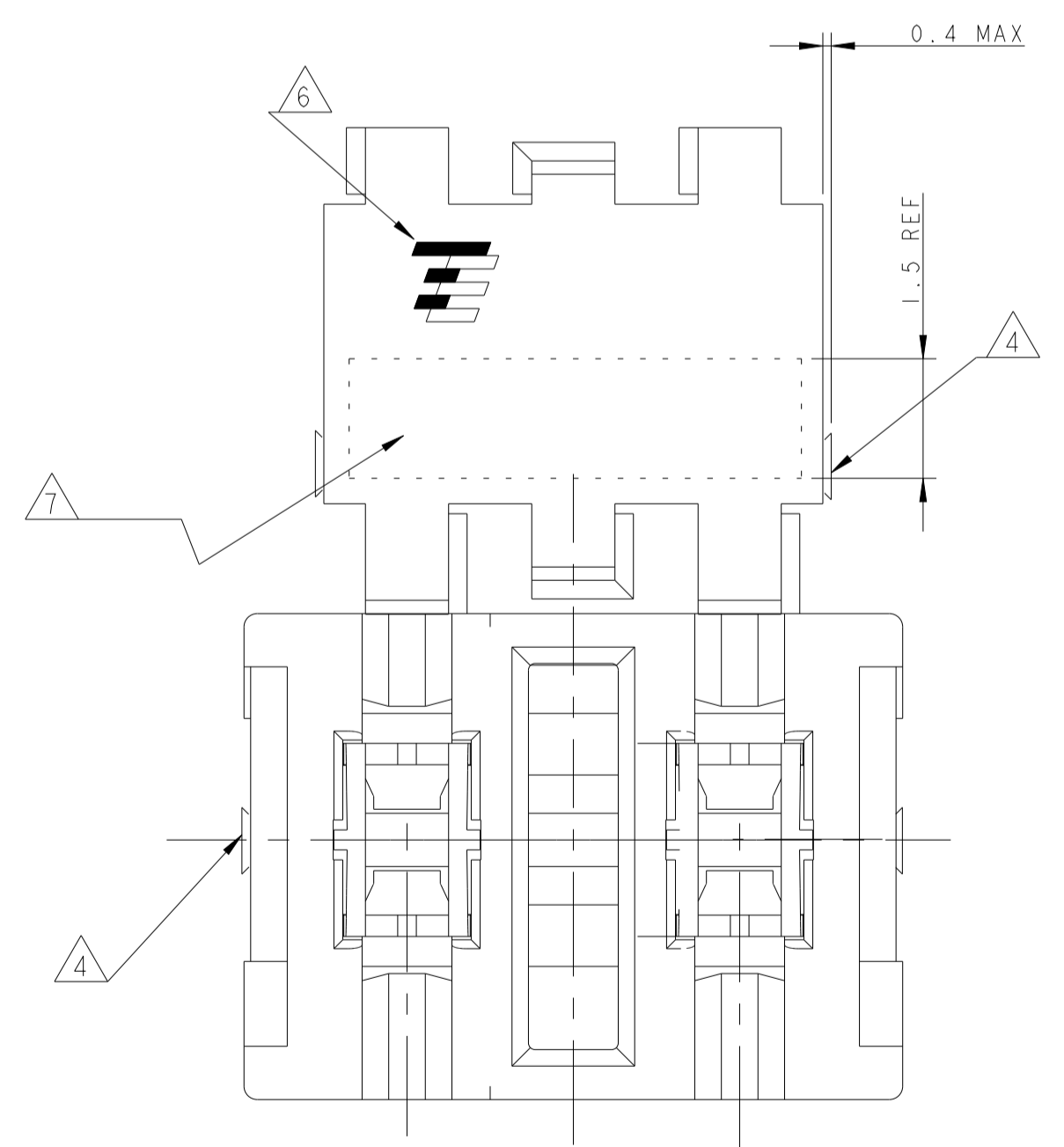
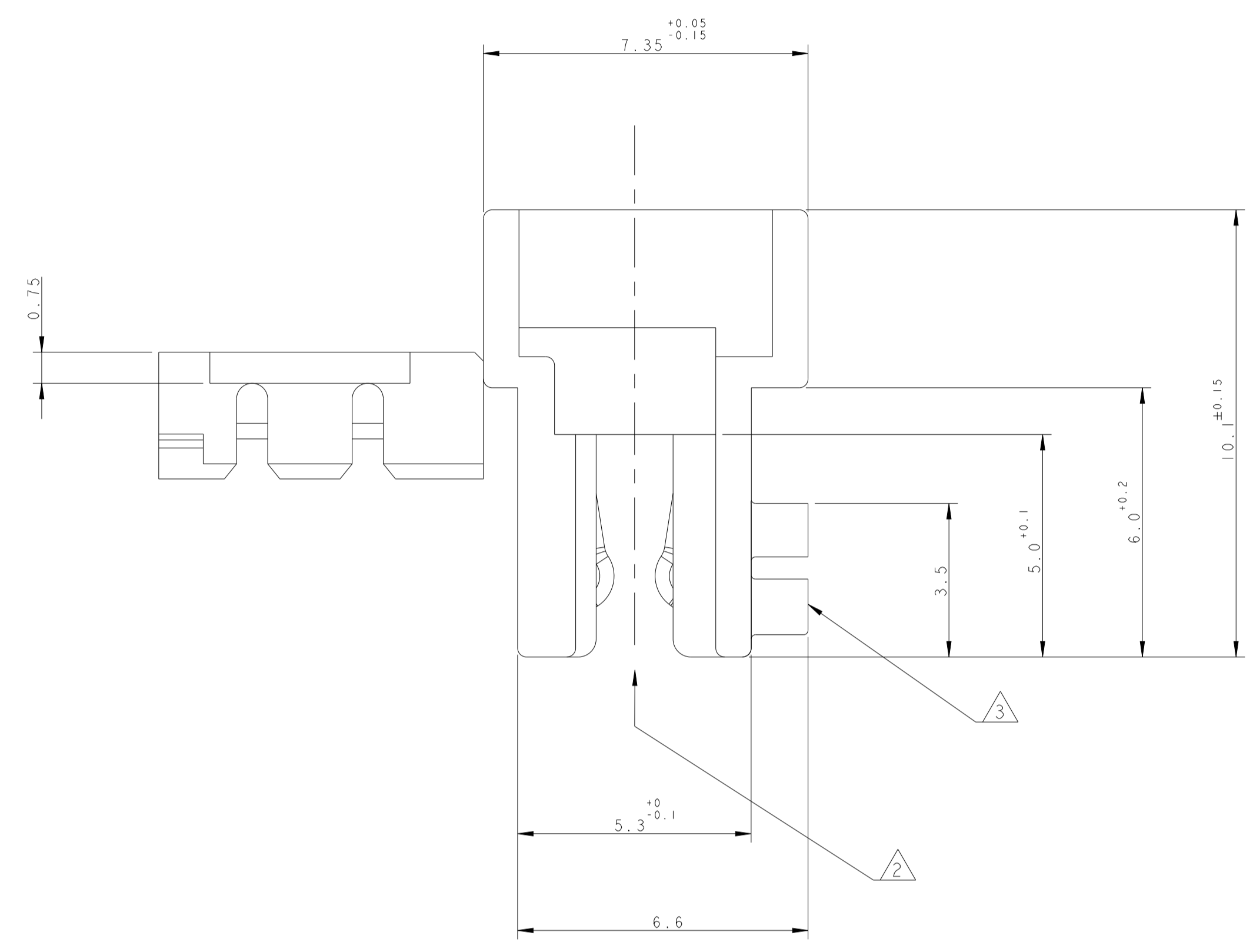
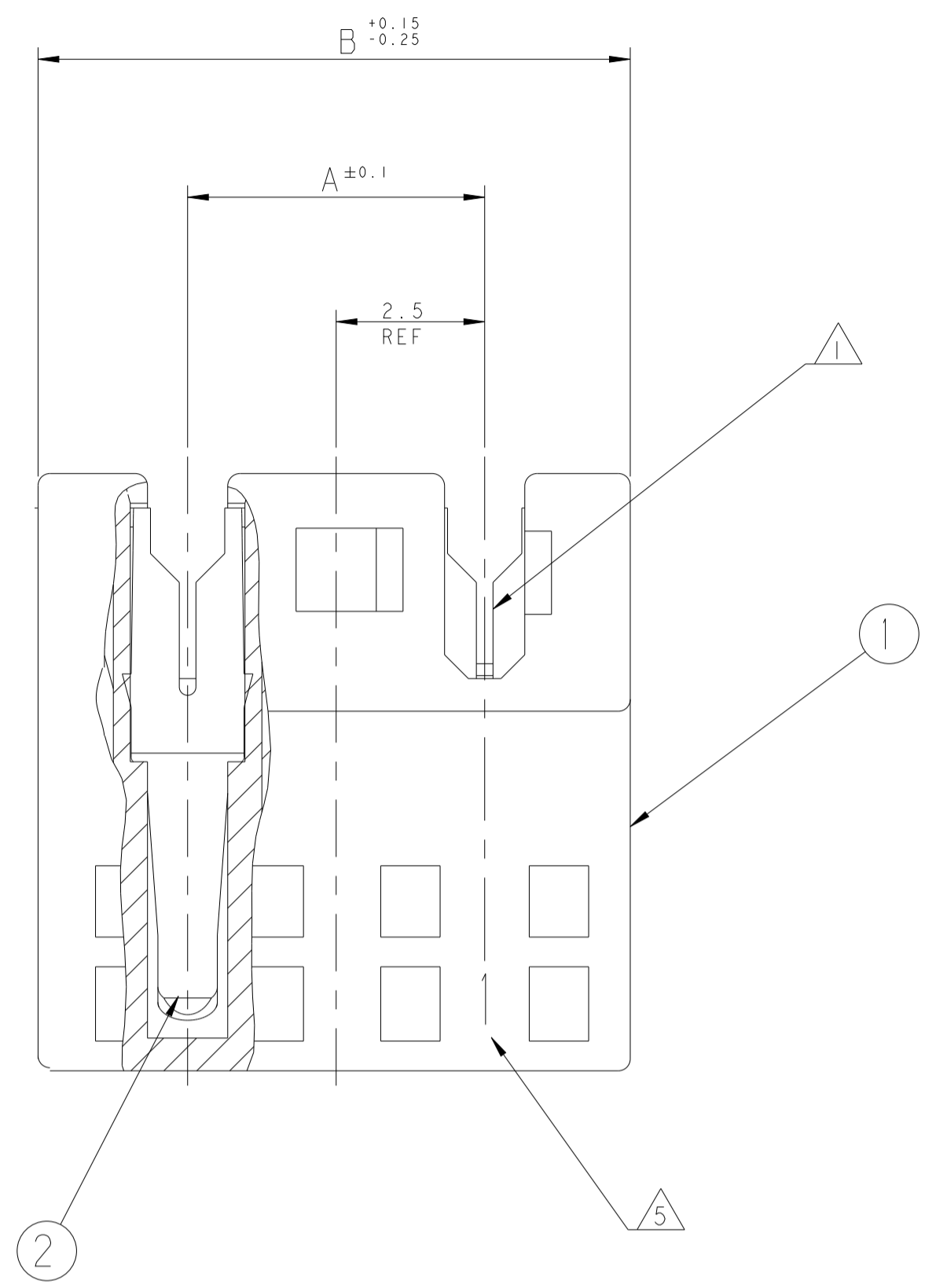
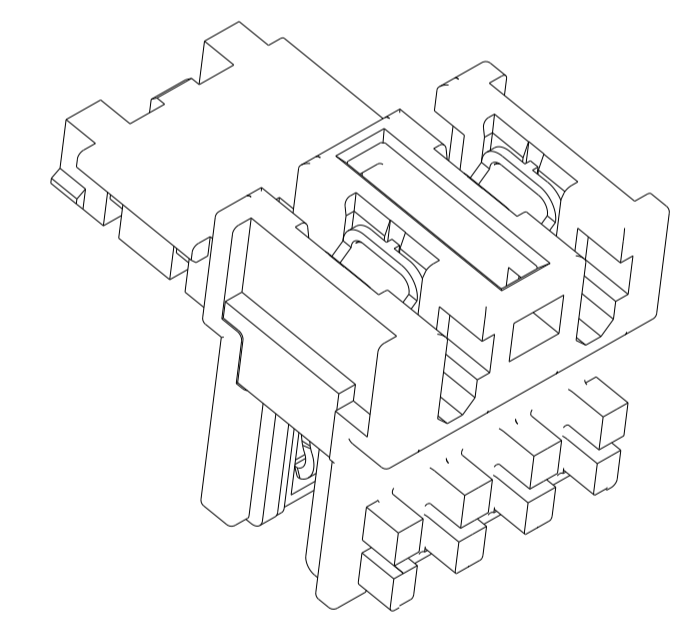


REVISIONS				
P.	LTN.	DESCRIPTION	DATE	APVD.
B8		REVISED PER ECR-18-017204	21NOV2018	BW DC
B9		ECR-19-009970	22JUL2019	SM FL
B10		ECR-21-121338	23NOV2021	DC FL
B11		ECR-21-122385	30NOV2021	DC FL



ISO VIEW



- ① WIRE RANGE : STRANDED 0.22-0.35 mm² (INS. DIA. 1.30±0.1)
- ② MATING PART: TAB HEADER P/Ns 1971921 AND EQUIVALENT;
PCB FRAME P/N 964575 (PCB THK 1.5±0.14 COPPER CLADDING INCLUDED)
SEE PRODUCT SPEC. 108-18056 FOR FRAME APPLICATION
- ③ KEYING RIBS TO BE REMOVED BY TERMINATION MACHINE
- ④ CUT OFF DIMENSION DUE TO PRODUCTION PROCESS
- ⑤ CIRCUIT No. IDENTIFICATION
- ⑥ TE TRADEMARK (OPTIONAL POSITION)
- ⑦ TAMPOGRAPHIC COLOUR CODE AREA (P/Ns IDENTIFICATION BEFORE CRIMPING)
- ⑧ CAVITIES 1 AND 3 LOADED WITH CONTACT
- ⑨ PBT GF
- ⑩ PBT GF, UL94-V0 & GWPT 750 NO-FLAME, NATURAL
- ⑪ PRELIMINARY PART, NOT YET RELEASED FOR PRODUCTION
- ⑫ ALTERNATIVE RESIN PBT GF
- ⑬ PART RELEASED WITH PARTIAL VALIDATION AND PENDING AGENCY APPROVALS

COLOUR CODE	HSG POS.	DIM.A	DIM.B	TE P/N	TE P/N	TE P/N
BLUE	3	5.0	9.9	3-284970-3	3-2311509-3	3-2402717-3
GREEN				2-284970-3	2-2311509-3	2-2402717-3
ORANGE				1-284970-3	1-2311509-3	1-2402717-3
-				0-284970-3	2311509-3	2402717-3

SEE TABLE	MATERIAL	DESCRIPTION	ITEM	DIMENSIONS: mm		TOLERANCES UNLESS OTHERWISE SPECIFIED:		APVD: TURCO 17 MAY 05		NAME: DUOPLUG 2.5 FEMALE CONNECTOR STANDARD VERSION, 2 POS. (HIGHER COVER RETENTION)	
PH. BRONZE, TIN PLATED	IDC RECEPTACLE CONTACT		2	0 PLC	±0.2	1 PLC	±0.2	2 PLC	±0.2	3 PLC	±0.2
PBT GLASS FIBER FILLED	FEMALE HOUSING		1	4 PLC	±0.2	ANGLES	±1°	FINISH		SIZE	114-18049-1
REVISIONE DELL'ASSEMBLATO (REVISION OF EACH ASSY NO)				MATERIAL: SEE TABLE		WEIGHT		CUSTOMER DRAWING		SCALE 5:1	
ELENCO DEI COMPONENTI (PARTS LIST)										SHEET 1 OF 1	

单击下面可查看定价，库存，交付和生命周期等信息

[>>TE Connectivity\(泰科\)](#)