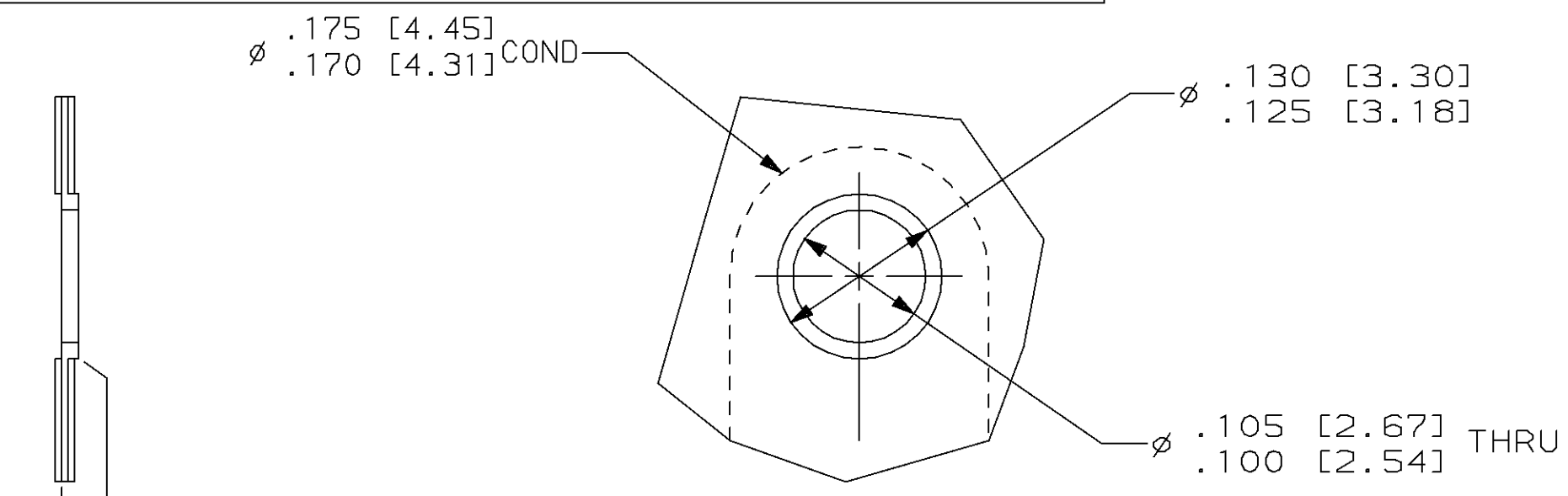


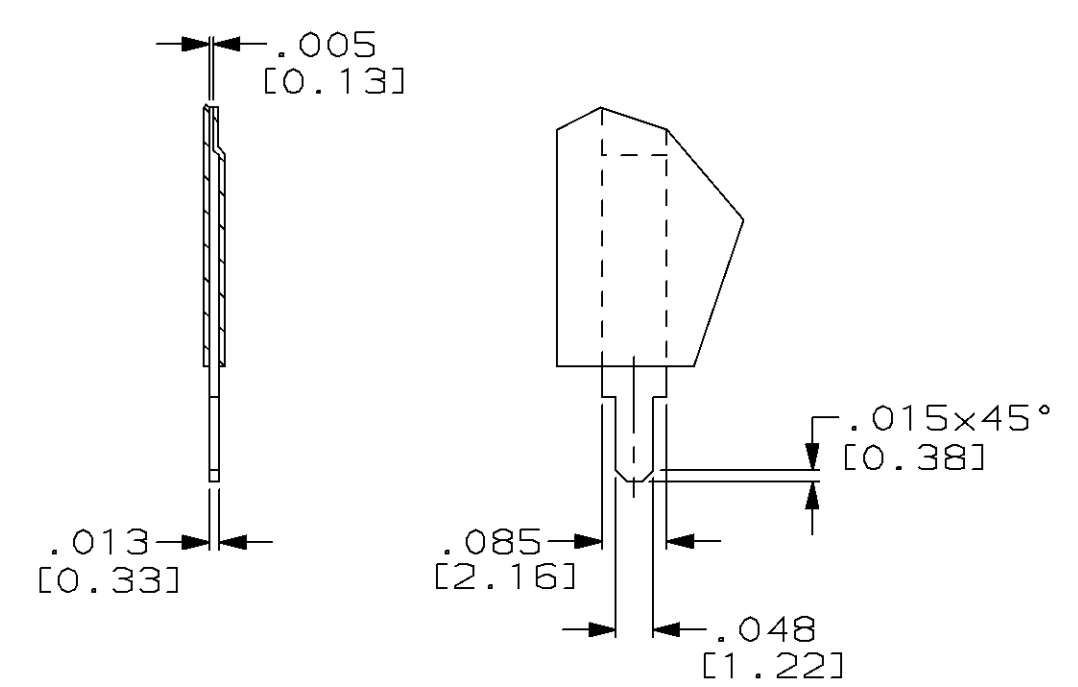
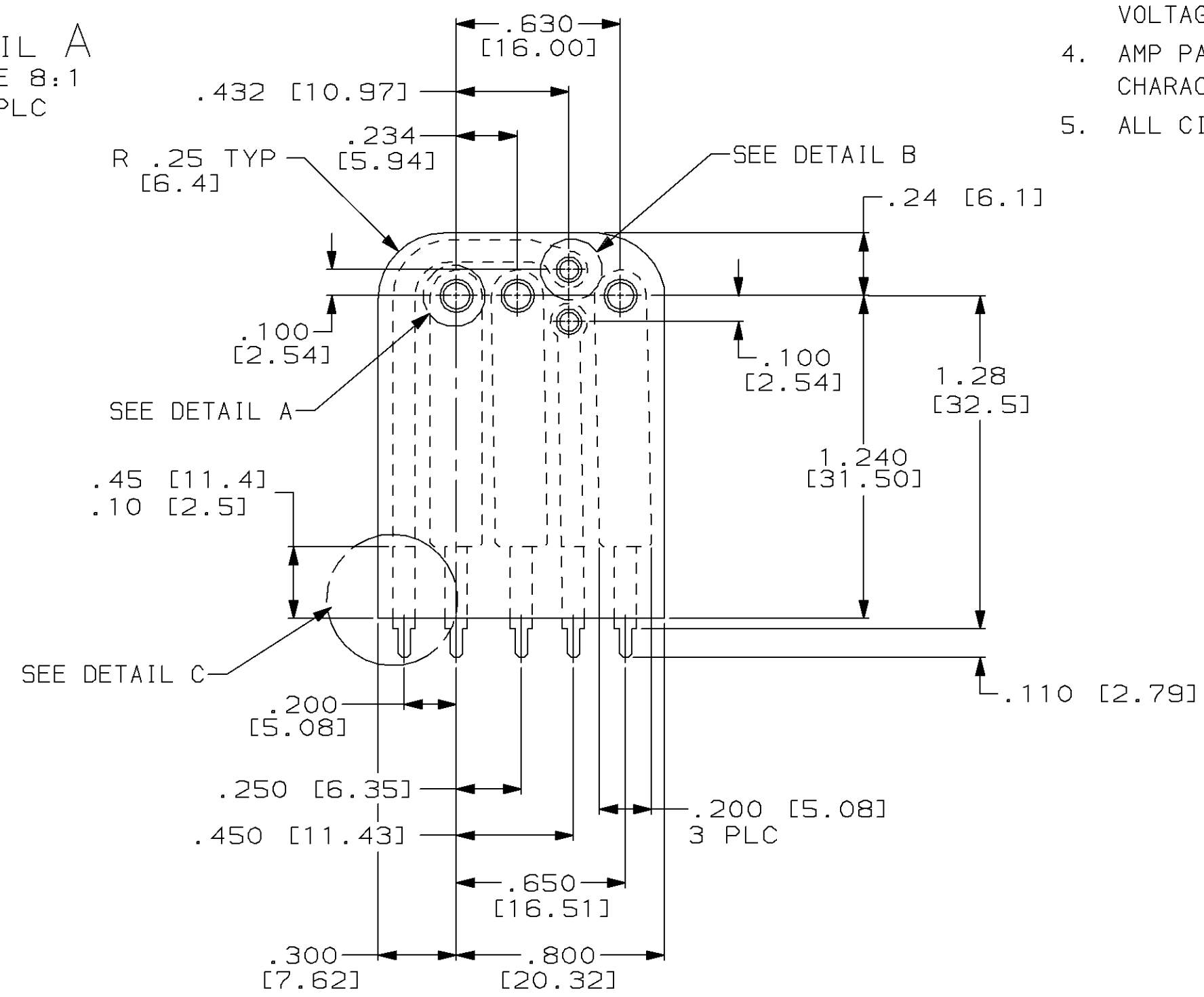
THIS DRAWING IS UNPUBLISHED. RELEASED FOR PUBLICATION, 19 .
 © COPYRIGHT 19 BY AMP INCORPORATED. ALL INTERNATIONAL RIGHTS RESERVED.

PROD		LOC	DIST	P		ZONE		LTR		REVISIONS			
CODE										DESCRIPTION	DATE	APPD	
7203		DF	YO						0	RELEASED PER 93-321	CT	10-93	JN

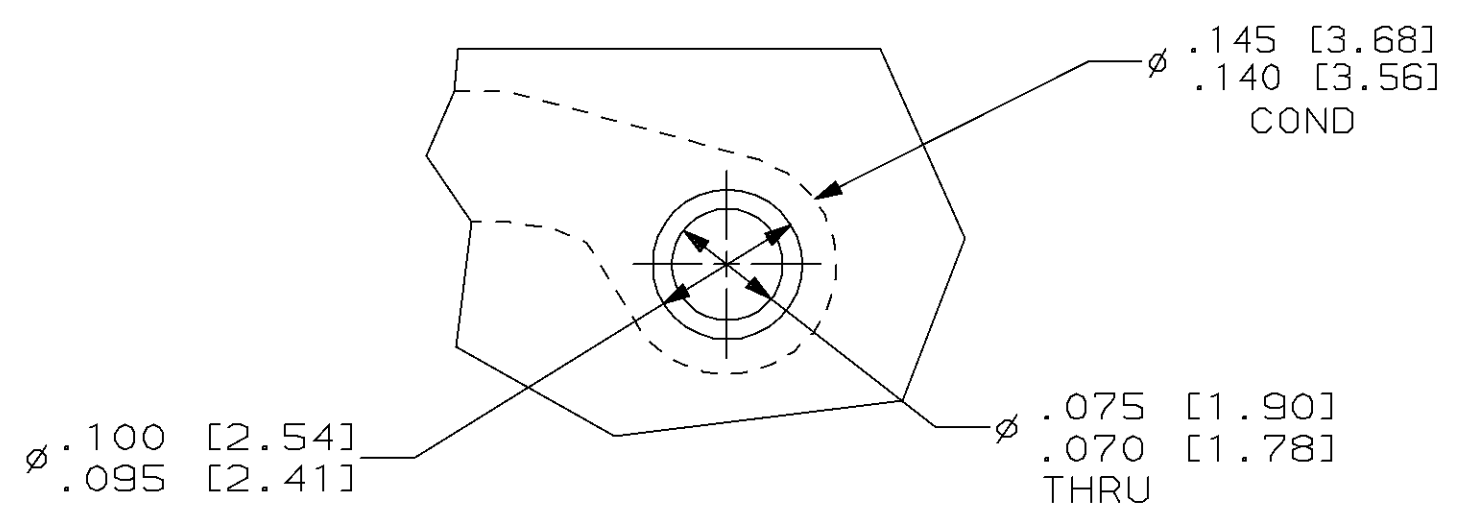
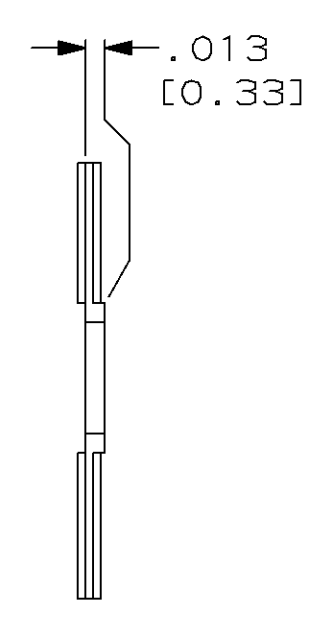


1. COPPER FOIL CF-WF-75 IN ACCORDANCE WITH SPEC IPC-CF-150 WITH ADHESIVE COATED POLYIMIDE DIELECTRIC FILM .001-.003 [0.03-0.08] THK. AND COATED WITH ACRYLIC ADHESIVE PER ANSI-IPC-CF-232. DIELECTRIC FILM TO BE LAMINATED TO BOTH SIDES OF CONDUCTOR IN ACCORDANCE WITH MIL-P-50884.
2. SOLDER COATED WITH Sn60 OR Sn63 PER MIL-STD 2000.
3. THIS PRODUCT MEETS THE FOLLOWING:
 CURRENT: 17.5 AMPS MAX
 TEMPERATURE: -55°C TO +105°C
 VOLTAGE: 100 VOLTS MAX
4. AMP PART NO. & DATE CODE MARKED PER MIL-STD-130. CHARACTERS TO BE .100 [2.54] HIGH.
5. ALL CIRCUITS CHECKED FOR SHORTS AND CONTINUITY.

DETAIL A
 SCALE 8:1
 3 PLC



DETAIL C
 SCALE 4:1
 5 PLC



DETAIL B
 SCALE 8:1
 2 PLC

THIS DRAWING IS A CONTROLLED DOCUMENT FOR AMP INCORPORATED. IT IS SUBJECT TO CHANGE AND THE CONTROLLING ENGINEERING ORGANIZATION SHOULD BE CONTACTED FOR THE LATEST REVISION.

DO NOT SCALE PRINT. UNLESS SPECIFIED DIMENSIONS IN INCHES [mm] TOLERANCES ON: 2 PLC DEC ± .02 [0.5] 3 PLC DEC ± .005 [0.13] ANGLES ± -	DR 10-14-93 C.C. THOMAS	AMP Incorporated Harrisburg, PA 17105-3608	
	CHK 10-19-93 J. NORTON		
MATERIAL	APPD 10-19-93 J. NORTON	NAME	
1	RLSE 10-19-93 C.C. THOMAS	FLEX ASSY, FEC	
FINISH	PRODUCT SPEC	SIZE	CAGE CODE
2	APPLICATION SPEC	© 00779	©=449620
	WEIGHT -	SCALE 2:1	SHEET 1 OF 1

449620-1
 PART NO.

CUSTOMER DRAWING

单击下面可查看定价，库存，交付和生命周期等信息

[>>TE Connectivity\(泰科\)](#)