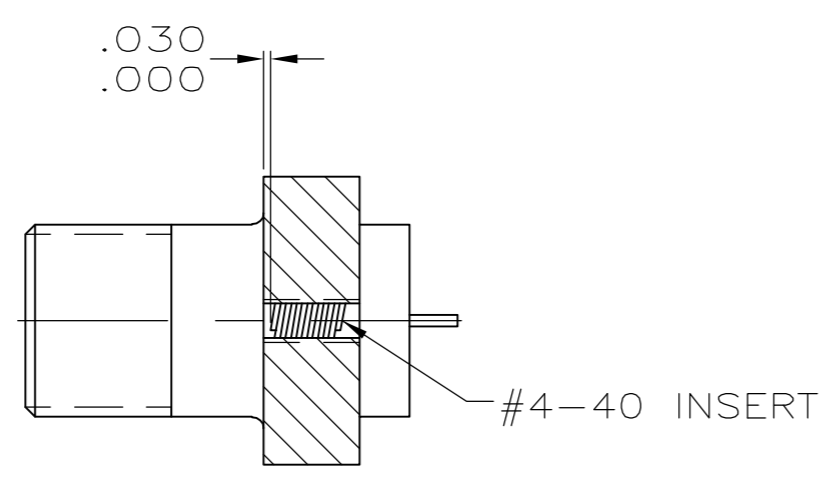
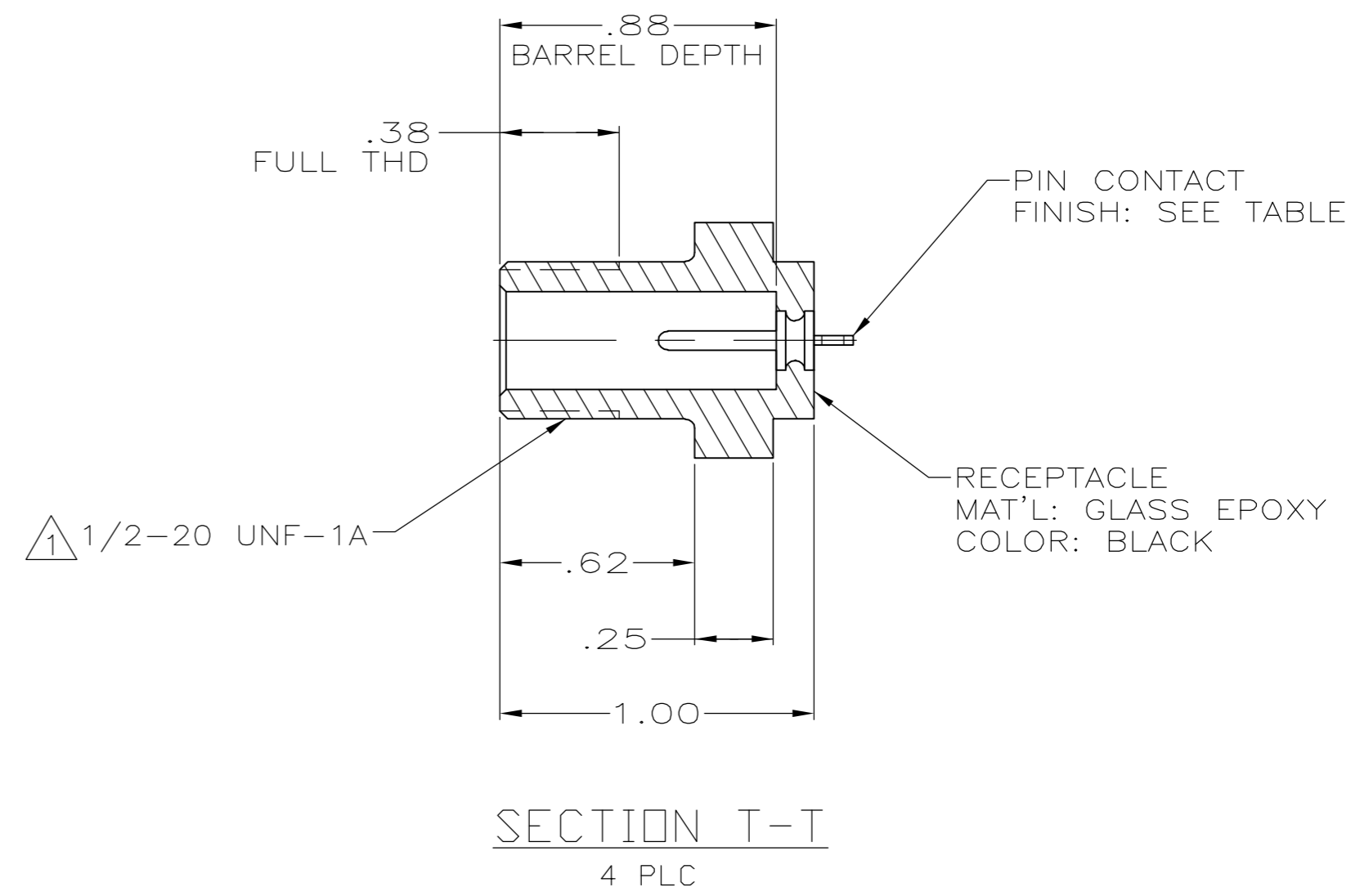
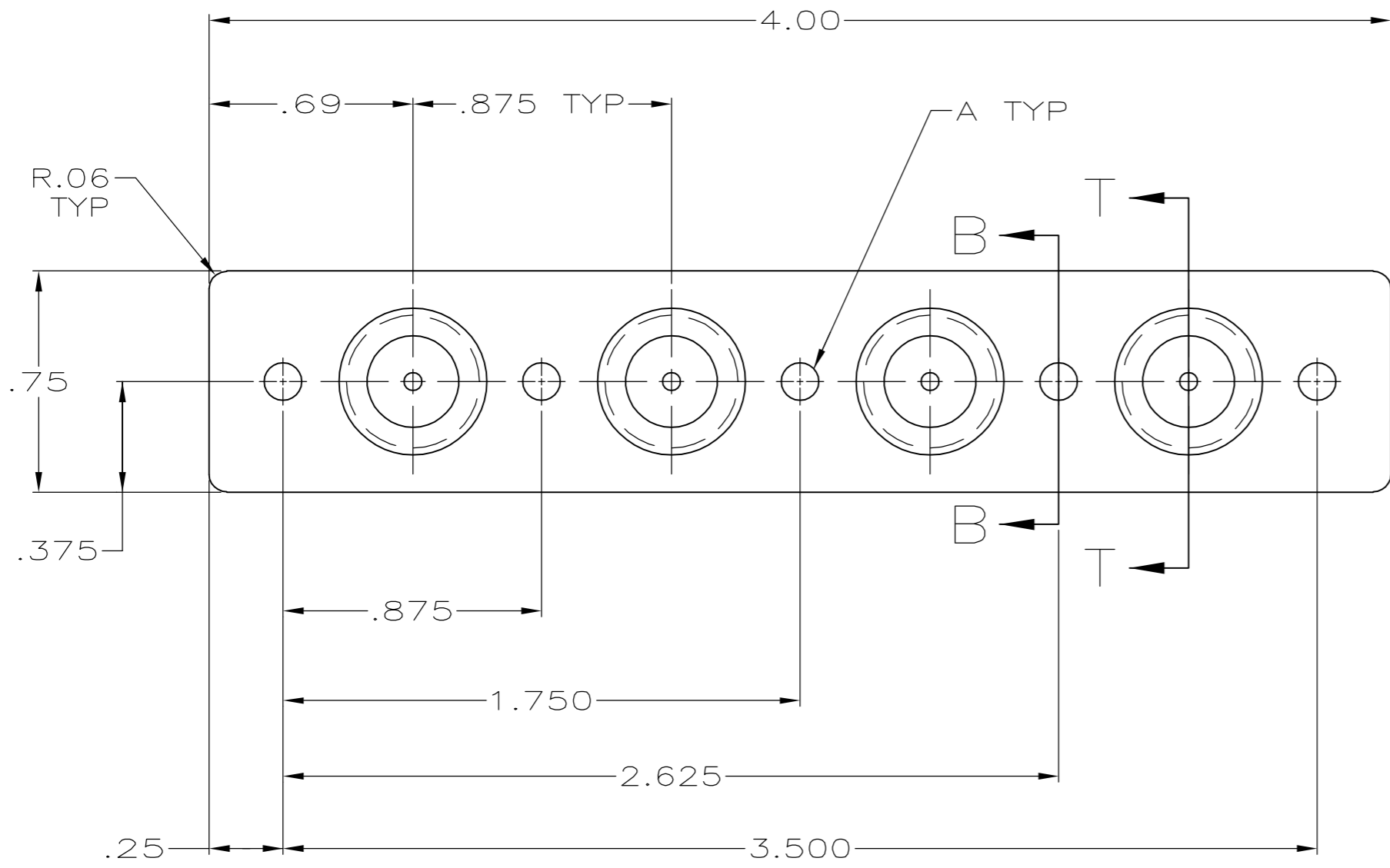


THIS DRAWING IS UNPUBLISHED. RELEASED FOR PUBLICATION - N/A .  
 © COPYRIGHT N/A BY TYCO ELECTRONICS CORPORATION. ALL RIGHTS RESERVED.

LOC	DIST	REVISIONS					
DF	S0	P	LTR	DESCRIPTION	DATE	DWN	APVD
		E		REV PER 0H14-0191-05	05-05	AA	DE

- 1. PER FEDERAL STANDARDS H-28, 3 WIRE METHOD. DIMENSION OVER WIRES TO BE: .497-.510
- 2. RECEPTACLE WILL MATE WITH ANY AMP LGH-1 LEAD ASSY AVAILABE SEPARATELY.



SECTION B-B  
FOR 861658-1 & -2

TIN	ø.128	5-861658-3
GOLD	ø.128	861658-4
TIN-LEAD	ø.128	861658-3
GOLD	#4-40 INSERT	861658-2
TIN-LEAD	#4-40 INSERT	861658-1
PIN PLATING	DIM A	PART NUMBER

THIS DRAWING IS A CONTROLLED DOCUMENT.		DWN C.C.THOMAS 22-SEP-00	Tyco Electronics Corporation Harrisburg, Pa 17105-3608	
DIMENSIONS: INCHES		CHK D. EABY 22-SEP-00		
TOLERANCES UNLESS OTHERWISE SPECIFIED:		APVD D. EABY 22-SEP-00	NAME RCPT, 4 POSN BULKHEAD MOUNT LGH-1	
0 PLC ± -	1 PLC ± -	PRODUCT SPEC	SIZE A2	CAGE CODE 00779
2 PLC ± .02	3 PLC ± .005	APPLICATION SPEC	DRAWING NO C=861658	RESTRICTED TO
4 PLC ± -	ANGLES ± -	FINISH	SCALE 2:1	SHEET 1 OF 1
MATERIAL	FINISH	WEIGHT	REV E	
CUSTOMER DRAWING				

单击下面可查看定价，库存，交付和生命周期等信息

[>>TE Connectivity\(泰科\)](#)