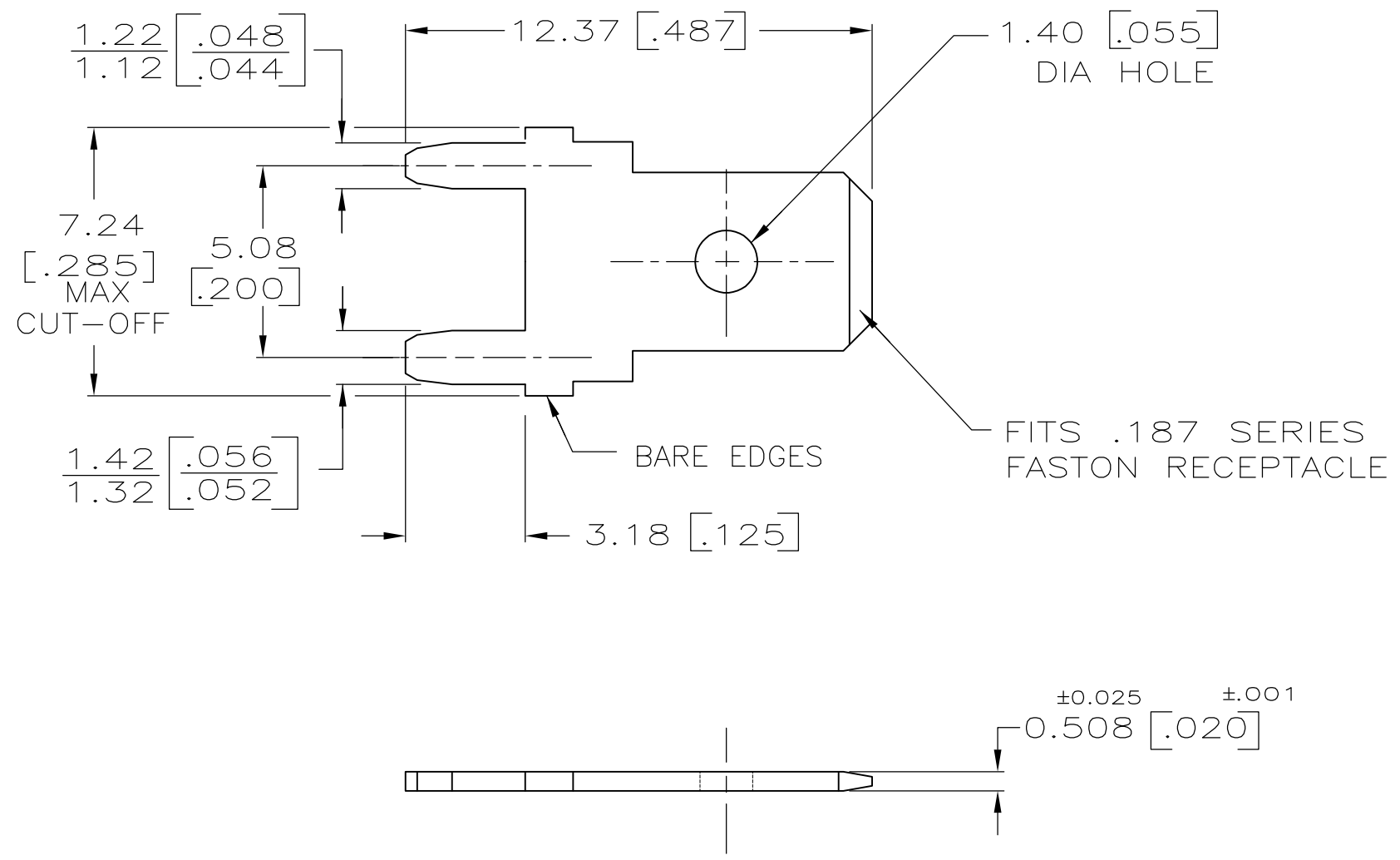
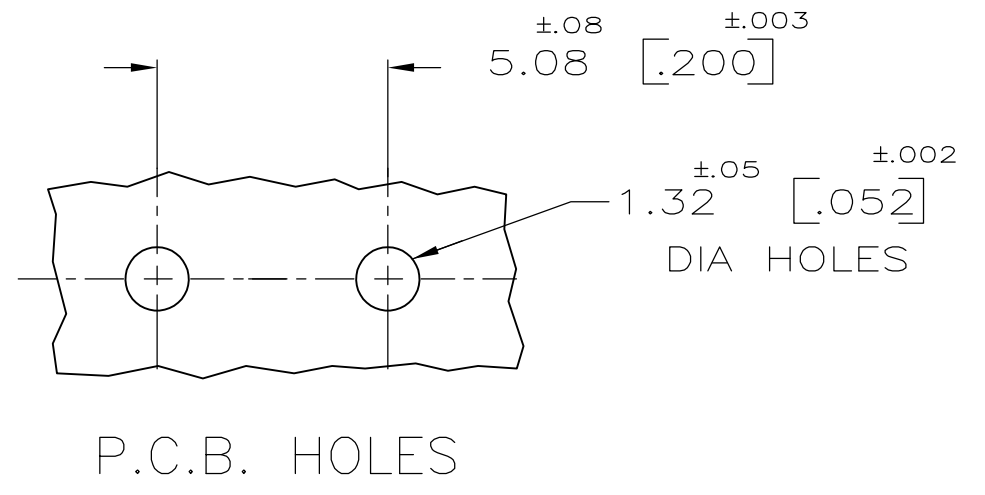


THIS DRAWING IS UNPUBLISHED. RELEASED FOR PUBLICATION
 © COPYRIGHT - By - ALL RIGHTS RESERVED.

LOC	DIST	REVISIONS			
P	LTR	DESCRIPTION	DATE	DWN	APVD
AF	50	B	REVISED PER ECR-13-011489	16DEC2013	KH PD



- 1 SUPPLIED IN LOOSE PIECE.
- 2 TIN PLATE 0.00381 [.000150] MIN
THK OVER COPPER 0.00254 [.000100]
MIN THK.



1217131-1
PART NO.

THIS DRAWING IS A CONTROLLED DOCUMENT.		DWN JR RUTH 9/DEC/98	TE Connectivity		
DIMENSIONS: mm [INCHES]		CHK MS FEHER 9/DEC/98			
TOLERANCES UNLESS OTHERWISE SPECIFIED:		APVD S UNGER 9/DEC/98	NAME TAB, FASTON, 4.75 [.187] SERIES, PC BOARD		
0 PLC ± - 1 PLC ± - 2 PLC ± 0.25 [.010] 3 PLC ± - 4 PLC ± - ANGLES ± -		PRODUCT SPEC -	APPLICATION SPEC -		
MATERIAL BRASS	FINISH TIN OVER COPPER	WEIGHT -	SIZE A3	CAGE CODE 00779	DRAWING NO C-1217131
CUSTOMER DRAWING			SCALE 6:1	SHEET 1 OF 1	REV B

单击下面可查看定价，库存，交付和生命周期等信息

[>>TE Connectivity\(泰科\)](#)