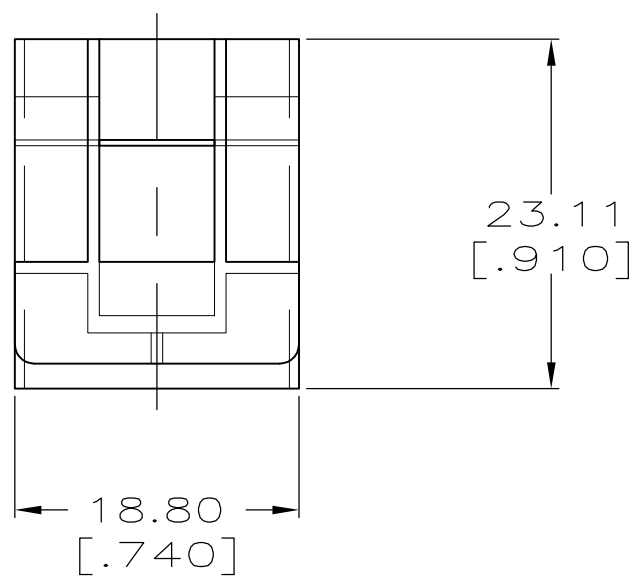
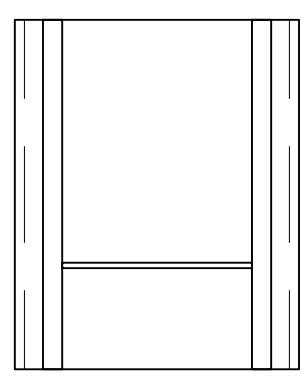
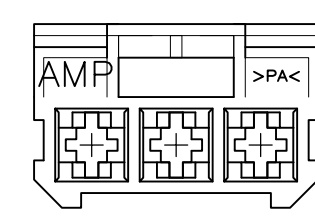
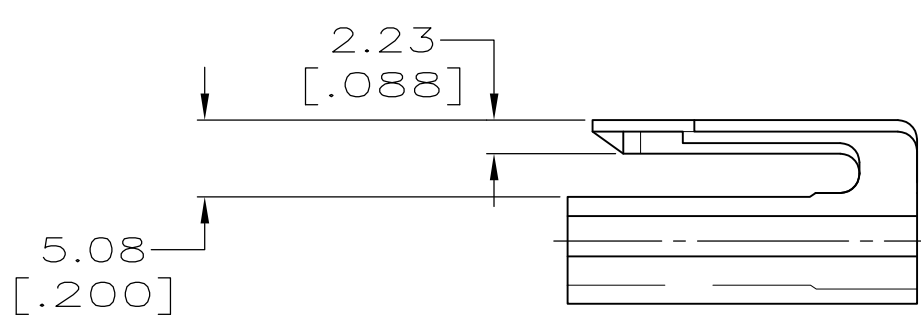
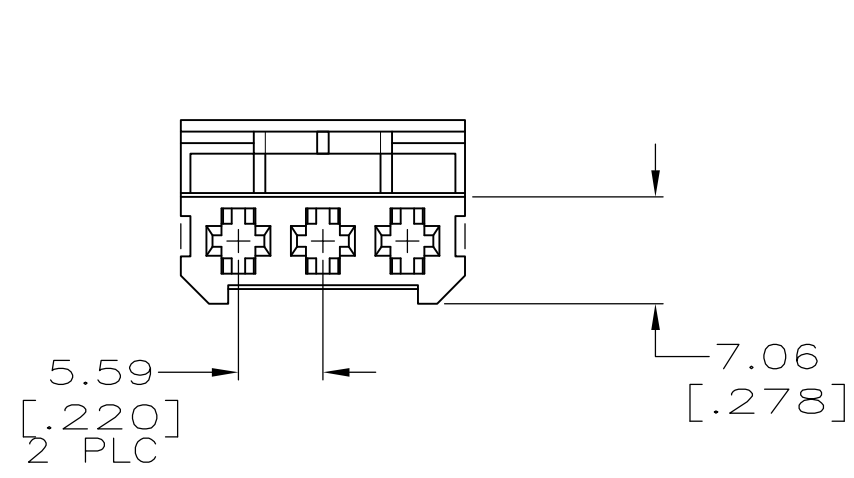


THIS DRAWING IS UNPUBLISHED. RELEASED FOR PUBLICATION
 © COPYRIGHT - By - ALL RIGHTS RESERVED.

LOC	DIST	REVISIONS			
P	LTR	DESCRIPTION	DATE	DWN	APVD
AF	50	F2	REVISED PER ECR-12-013221	31JUL12	KH GJ



- 1 PART ACCEPTS 3.18 [.125] RECEPTACLE CONTACT P/N 1217039-1.
- 2 GLOW WIRE COMPLIANT PER IEC 60335-1 750C NO FLAME.
- 3 PRELIMINARY - NOT FOR PRODUCTION.



NATURAL	2 PA6 V-2	3 521181-3
BLACK	NYLON 66/6 UL94 VO	521181-2
BLACK	NYLON 66	521181-1
COLOR	MATERIAL	PART NUMBER

THIS DRAWING IS A CONTROLLED DOCUMENT.

DWN PHILLIP M FORTNEY 28/JUL/98		NAME		
CHK JEFF R RUTH 28/JUL/98		DON DECKER		
APVD DON DECKER 28/JUL/98		PRODUCT SPEC		
		APPLICATION SPEC		
	SIZE	CAGE CODE	DRAWING NO	RESTRICTED TO
	A2	00779	521181	-
	CUSTOMER DRAWING		SCALE	SHEET
			2:1	1 of 1
			REV	F2

DIMENSIONS:	TOLERANCES UNLESS OTHERWISE SPECIFIED:
mm	
	0 PLC ± -
	1 PLC ± -
	2 PLC ± 0.25 [.010]
	3 PLC ± -
	4 PLC ± -
	ANGLES ± -
MATERIAL	FINISH
PA6 V-2 2	COLOR-NATURAL

单击下面可查看定价，库存，交付和生命周期等信息

[>>TE Connectivity\(泰科\)](#)