

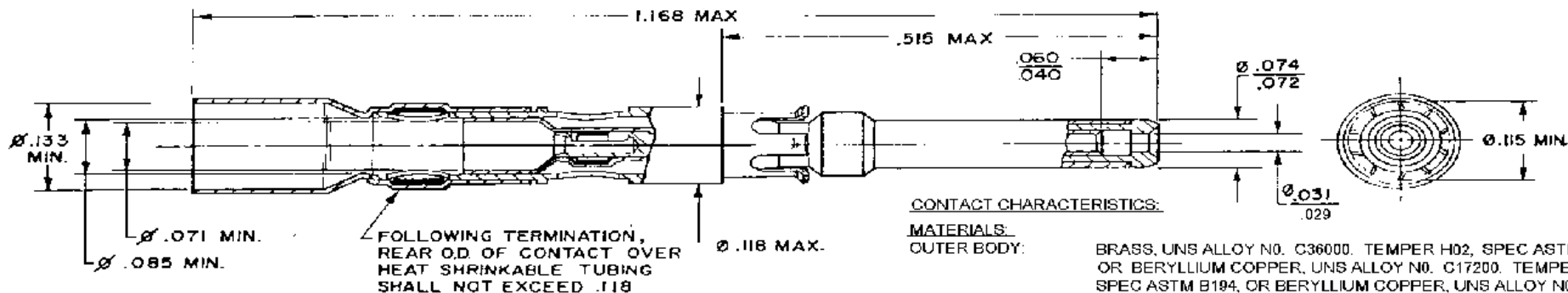
4

3

2

1

L	REVISED PER E.C.N. T-8334	6/24/93	V. AD
M	REVISED PER DCR# T-22012	12/16/98	M. HIGGY



CONTACT CHARACTERISTICS:

MATERIALS:

OUTER BODY:

BRASS, UNS ALLOY NO. C36000, TEMPER H02, SPEC ASTM B16 OR BERYLLIUM COPPER, UNS ALLOY NO. C17200, TEMPER TD04, SPEC ASTM B194, OR BERYLLIUM COPPER, UNS ALLOY NO. C17300, TEMPER TD04, SPEC ASTM B196.

PLATING:

GOLD PER ASTM B 488 (MIL-G-45204) NICKEL PER QQ-N-290 OVER COPPER FLASH.

INNER CONTACT:

BERYLLIUM COPPER, UNS ALLOY NO. C17300, TEMPER TH04, SPEC. ASTM B196.

PLATING:

GOLD PER ASTM B 488 (MIL-G-45204) NICKEL PER QQ-N-290 OVER COPPER FLASH.

RETAINING CLIP:

BERYLLIUM COPPER, UNS ALLOY NO. C17200, TEMPER TH04, SPEC. ASTM B194.

PLATING:

NICKEL PER QQ-N-290.

DIELECTRIC:

FLUOROPOLYMER.

SOLDER:

SN63 RMAP IN ACCORDANCE WITH ANSII-STD-006.

CABLE SUPPORT:

OUTER SLEEVE: POLYVINYLIDENE HEAT SHRINKABLE TUBING.
INNER SLEEVE: POLYOLEFIN HEAT SHRINKABLE TUBING.

PERFORMANCE:

TEMPERATURE RATING: 125°C MAXIMUM.
CURRENT RATING: 3 AMPS
VOLTAGE RATING: DIELECTRIC WITHSTAND VOLTAGE 900 VOLTS RMS, MAXIMUM.
CONTACT RESISTANCE: 10 MILLIOHMS MAXIMUM (INNER)
8 MILLIOHMS MAXIMUM (OUTER)
INSULATION RESISTANCE: 5,000 MEGOHMS MINIMUM.
ENGAGEMENT FORCE: INNER SOCKET: 6 OZ. MAXIMUM.
SEPARATION FORCE: INNER SOCKET: 0.5 OZ. MINIMUM.

NOTES:

1. THIS CONTACT IS DESIGNED FOR USE IN MIL-C-28748 SIZE 15 CAVITIES.
2. THIS CONTACT IS DESIGNED TO TERMINATE TO THE CABLES IN THE TABLE. OTHER APPLICATIONS SHOULD BE SUBMITTED TO RAYCHEM FOR EVALUATION.
3. FOR TERMINATION PROCEDURE: SEE ES 61133
4. MATING CONTACT (FOR SIMILAR CABLES) D-602-45
5. CABLE MUST BE TERMINATED WITH D-600-0018 DIELECTRIC BARRIER.
6. THIS CONTACT MEETS RAYCHEM SPECIFICATION D-6002.

RG CABLE NO.	RAYCHEM CABLE NO.
RG - 179 B/U	5026A IXIX
RG - 178 B/U	5030A IXIX
RG - 316 /U	7528A IXIX
	7530A IXIX
	9532A IXIX

CONNECTOR SPECIFICATION CONTROL DRAWING

UNLESS OTHERWISE SPECIFIED DIMENSIONS ARE IN INCHES BRACKETED DIMENSIONS () ARE METRIC AND TOLERANCES ARE: XXX ± () XX ± () X ± ()	DRAWN	DWW	2-15-BC	 The Elmira Company 300 Grand Street New York, NY 10013 USA Raychem
	CHECKED			
	APPROVED			
	APPROVED			
	CAD FILE	T22012.TIF	SIZE A	CODE IDENT NO. 06099
			SWG NO D-602-44	M
			WEIGHT	SHEET 1 OF 1

If this document is printed it becomes uncontrolled.
Check for the latest revision.

DO NOT SCALE THIS DRAWING

单击下面可查看定价，库存，交付和生命周期等信息

[>>TE Connectivity\(泰科\)](#)