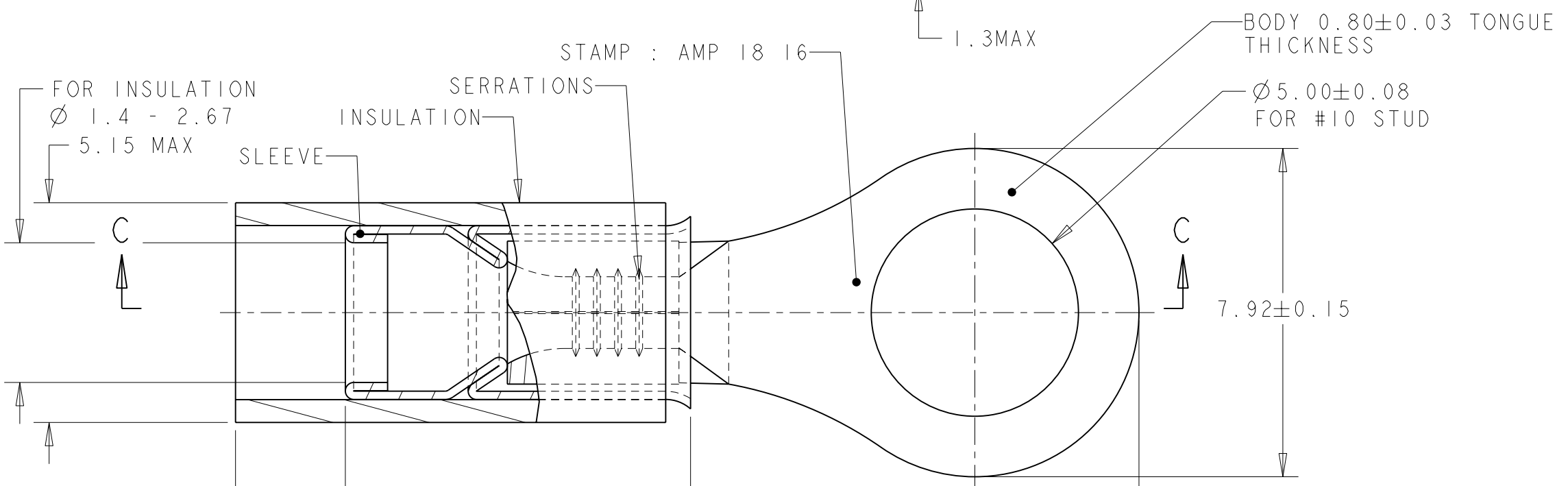
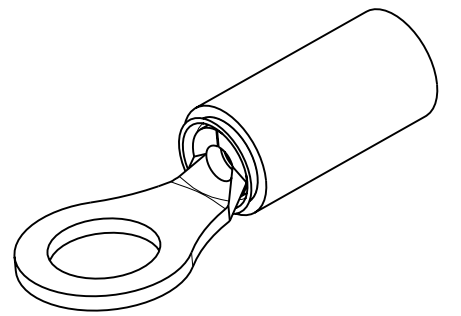
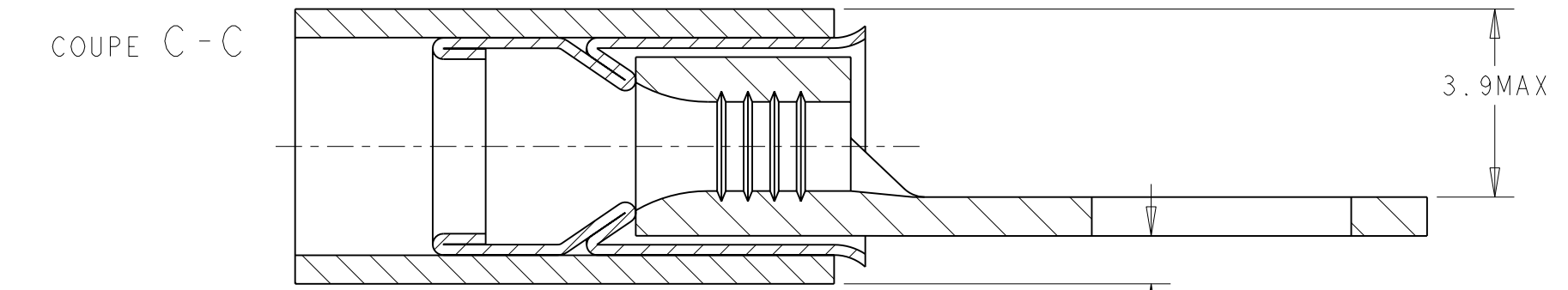


THIS DRAWING IS UNPUBLISHED. RELEASED FOR PUBLICATION 20
 © COPYRIGHT 20 BY TYCO ELECTRONICS CORPORATION. ALL RIGHTS RESERVED.

LOC	DIST	REVISIONS			
P	LTR	DESCRIPTION	DATE	DWN	APVD
F	00	B	ECR 07-025006	26OCT2007	JT GR

D

D



C

C

B

B

WIRE TERMINAL	1577633-1	BODY : COPPER ANNEALED FINISH : NICKEL PLATED
		SLEEVE : COPPER ANNEALED FINISH : NICKEL PLATED
		INSULATION : PEEK COLOR : ORANGE
DESCRIPTION	PART NUMBER	MATERIAL & FINISH

A

A

<small>THIS DRAWING IS A CONTROLLED DOCUMENT FOR TYCO ELECTRONICS CORPORATION IT IS SUBJECT TO CHANGE AND THE CONTROLLING ENGINEERING ORGANIZATION SHOULD BE CONTACTED FOR THE LATEST REVISION.</small>		DWN JJ. DESPRETZ 22FEB2006 CHK G. ROBERT 22FEB2006 APVD Y. PETRONIN 22FEB2006		tyco Electronics Tyco Electronics France SAS 95300 Pontoise, France	
DIMENSIONS: mm		TOLERANCES UNLESS OTHERWISE SPECIFIED: 0 PLC \pm - 1 PLC ± 0.3 2 PLC \pm - 3 PLC \pm - 4 PLC \pm - ANGLES ± 5		NAME TERMINAL, PEEK PIDG STRATO, 18-16 AWG	
MATERIAL SEE TABLE		FINISH SEE TABLE		PRODUCT SPEC 108-15356 APPLICATION SPEC 114-15102 WEIGHT 0,91 gr	
CUSTOMER DRAWING				SIZE A3 CAGE CODE 00779 DRAWING NO C-1577633	RESTRICTED TO - SCALE 8:1 SHEET 1 OF 1 REV B

单击下面可查看定价，库存，交付和生命周期等信息

[>>TE Connectivity\(泰科\)](#)