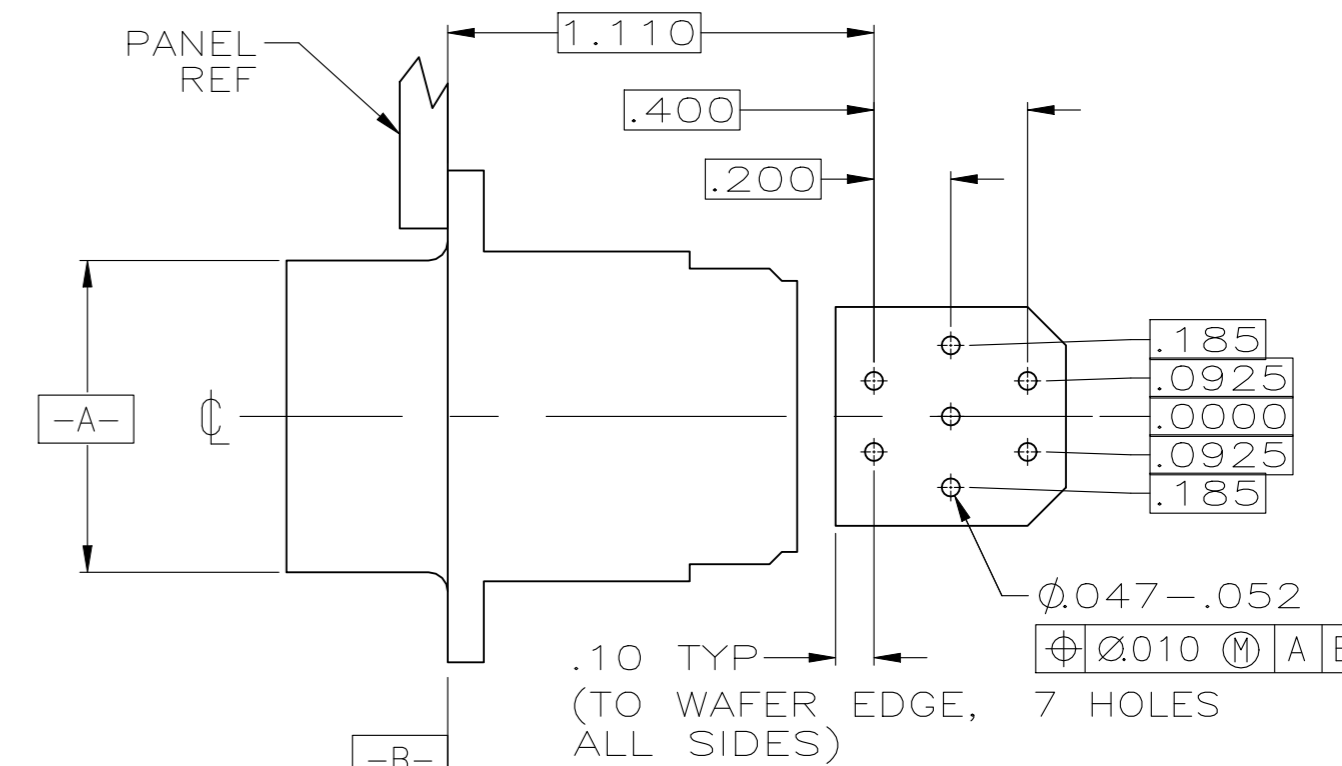
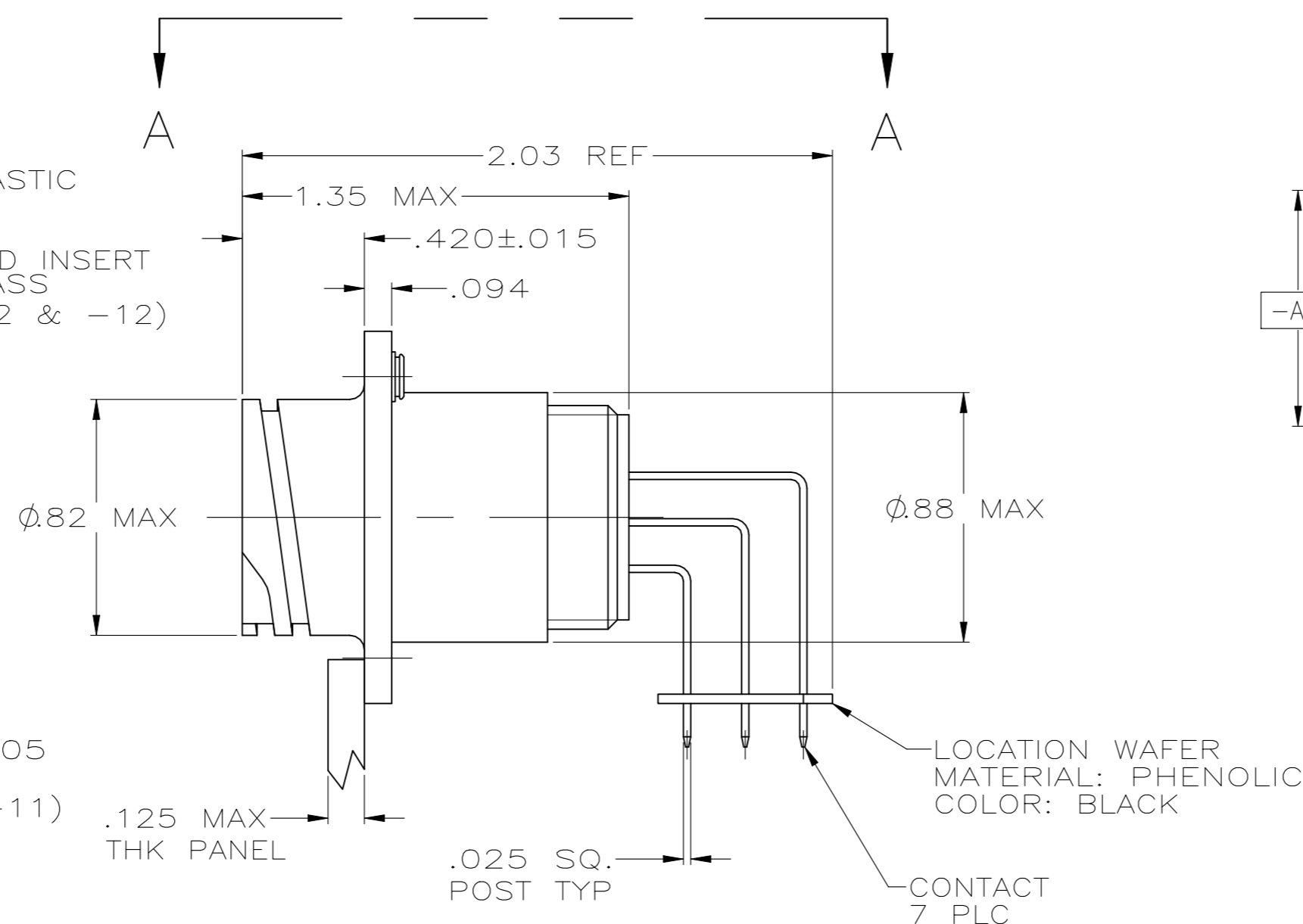
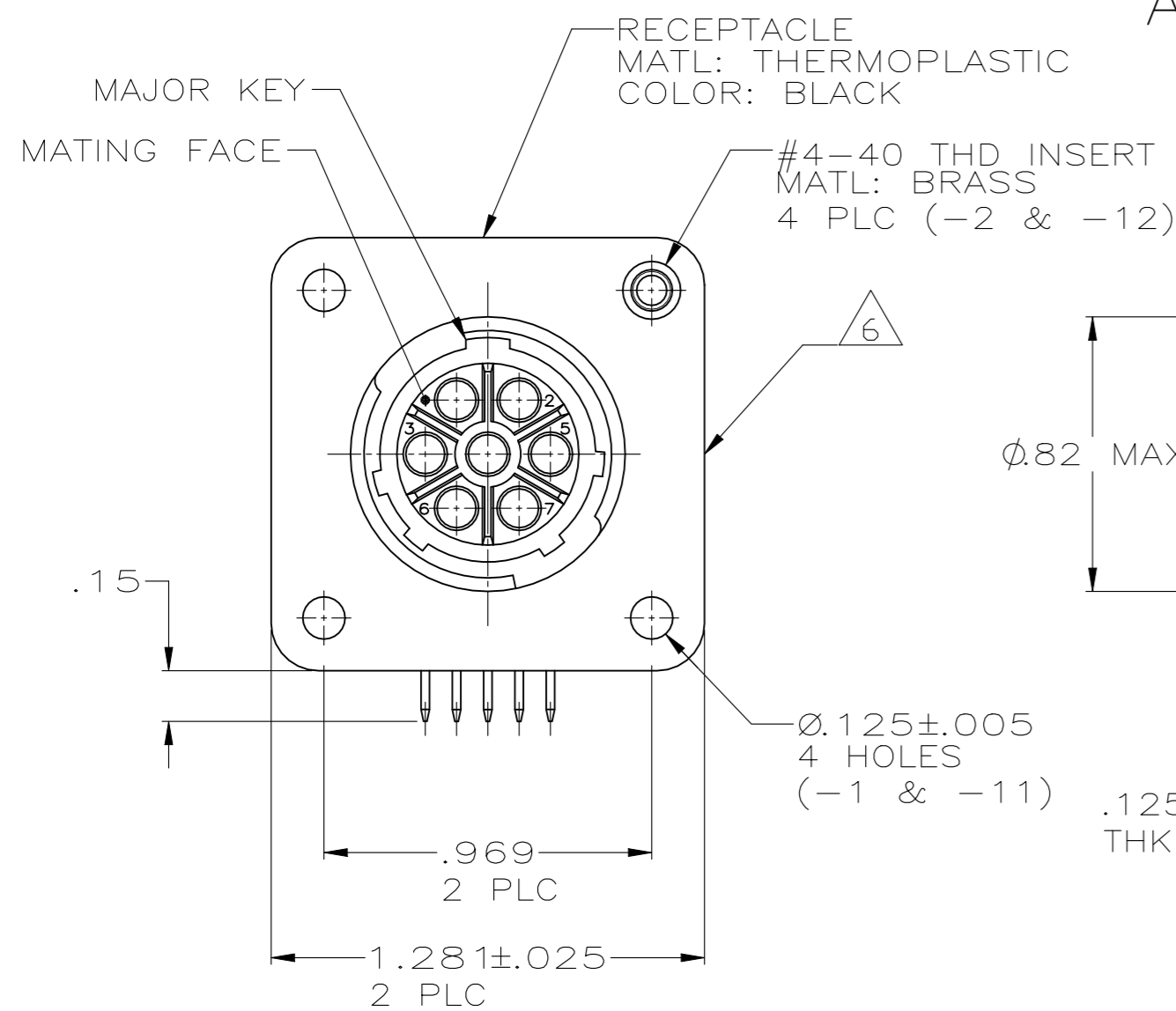
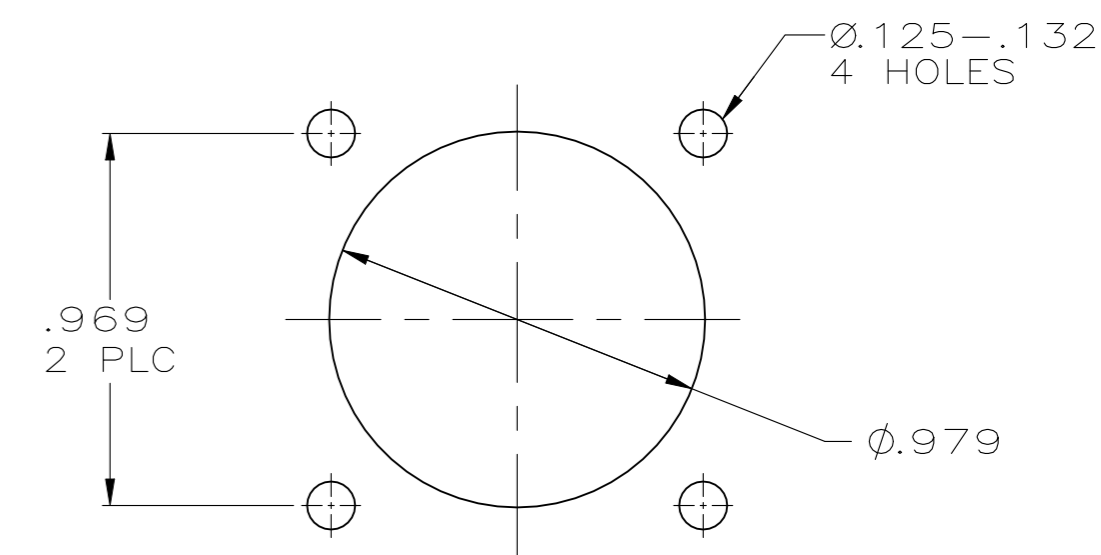


REVISIONS					
P	LTR	DESCRIPTION	DATE	DWN	APVD
E		REVISED PER ECO-21-006945	28OCT2021	RK	MZ



VIEW A-A Δ
RECOMMENDED PC BOARD LAYOUT



RECOMMENDED
PANEL CUTOUT

- 1 CONTACT CAVITIES IDENTIFIED BY CHARACTERS ON FRONT AND REAR FACES OF CONNECTOR.
- 2 #4 FASTENER RECOMMENDED FOR -1 MOUNTING.
#4 FASTENER REQUIRED FOR -2 MOUNTING.
- Δ 3 CONTACT BODY: .000030 MIN GOLD FOR A LENGTH OF .250 MIN FROM MATING END, WITH REMAINDER TO BE GOLD FLASH, BOTH OVER .000050 MIN NICKEL.
CONTACT POST: .000100 MIN TIN-LEAD OVER .000100 MIN COPPER.
- Δ 4 PC BOARD HOLE PATTERN IS DEFINED RELATIVE TO CONNECTOR C.L. AND PANEL MOUNTING FACE INDICATED.
- Δ 5 CONTACT BODY: .000030 MIN GOLD FOR A LENGTH OF .250 MIN FROM MATING END, WITH REMAINDER TO BE GOLD FLASH, BOTH OVER .000050 MIN NICKEL.
CONTACT POST: .000100 MIN TIN OVER .000100 MIN COPPER.

Δ 6 TE LOGO AND PART NUMBER LOCATED ON ANY FLANGE EDGE

OBSOLETE	Δ 5	W/INSERTS	1-796435-2
	Δ 5	W/O INSERTS	1-796435-1
	Δ 3	W/INSERTS	796435-2
	Δ 3	W/O INSERTS	796435-1
CONTACT FINISH	CONFIG.	PART NUMBER	

THIS DRAWING IS A CONTROLLED DOCUMENT.		DWN	2-19-00	TE TE Connectivity	
		CHK	2-23-00		
		APVD	2-23-00	NAME	
		PRODUCT SPEC		RECEPTACLE ASSY, POSTED, RT ANGLE, STD SEX, SIZE 13-7, SERIES 1, CPC	
		APPLICATION SPEC		SIZE	RESTRICTED TO
		WEIGHT		A2	
		CUSTOMER DRAWING		CAGE CODE	DRAWING NO
				00779	C=796435
				SCALE	SHEET
				2:1	1 OF 1
				REV	E

单击下面可查看定价，库存，交付和生命周期等信息

[>>TE Connectivity\(泰科\)](#)