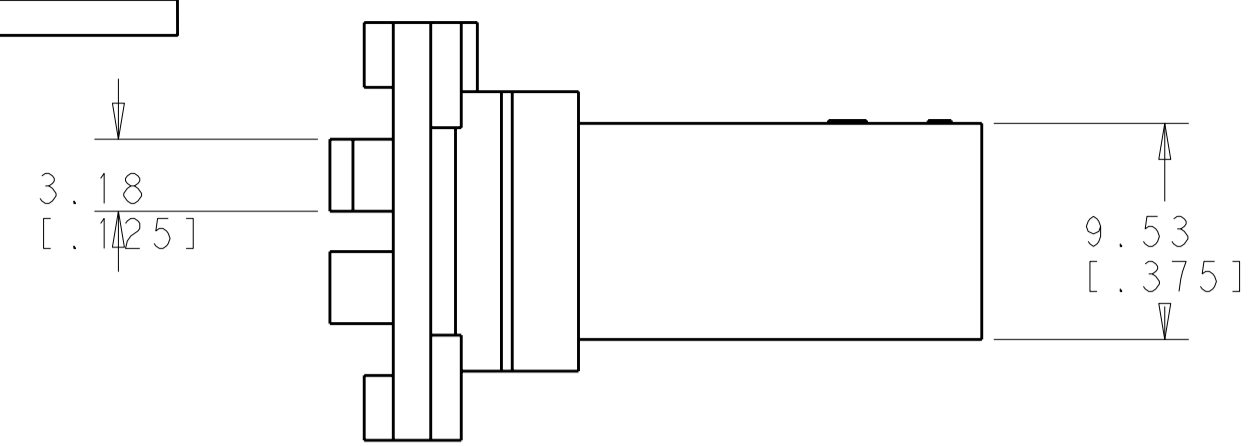
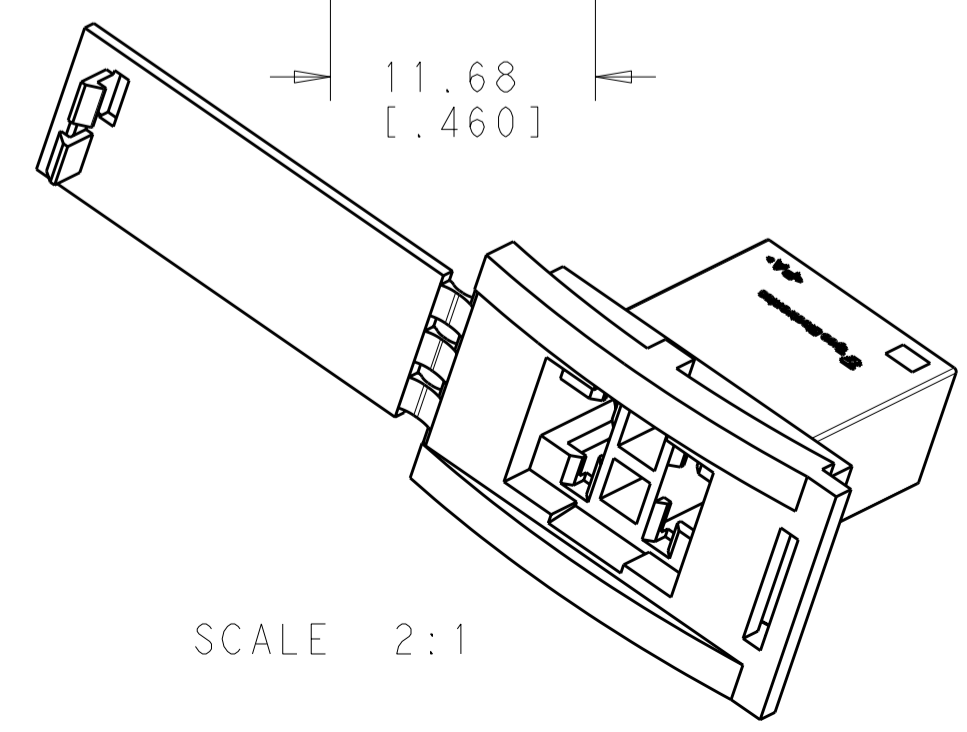
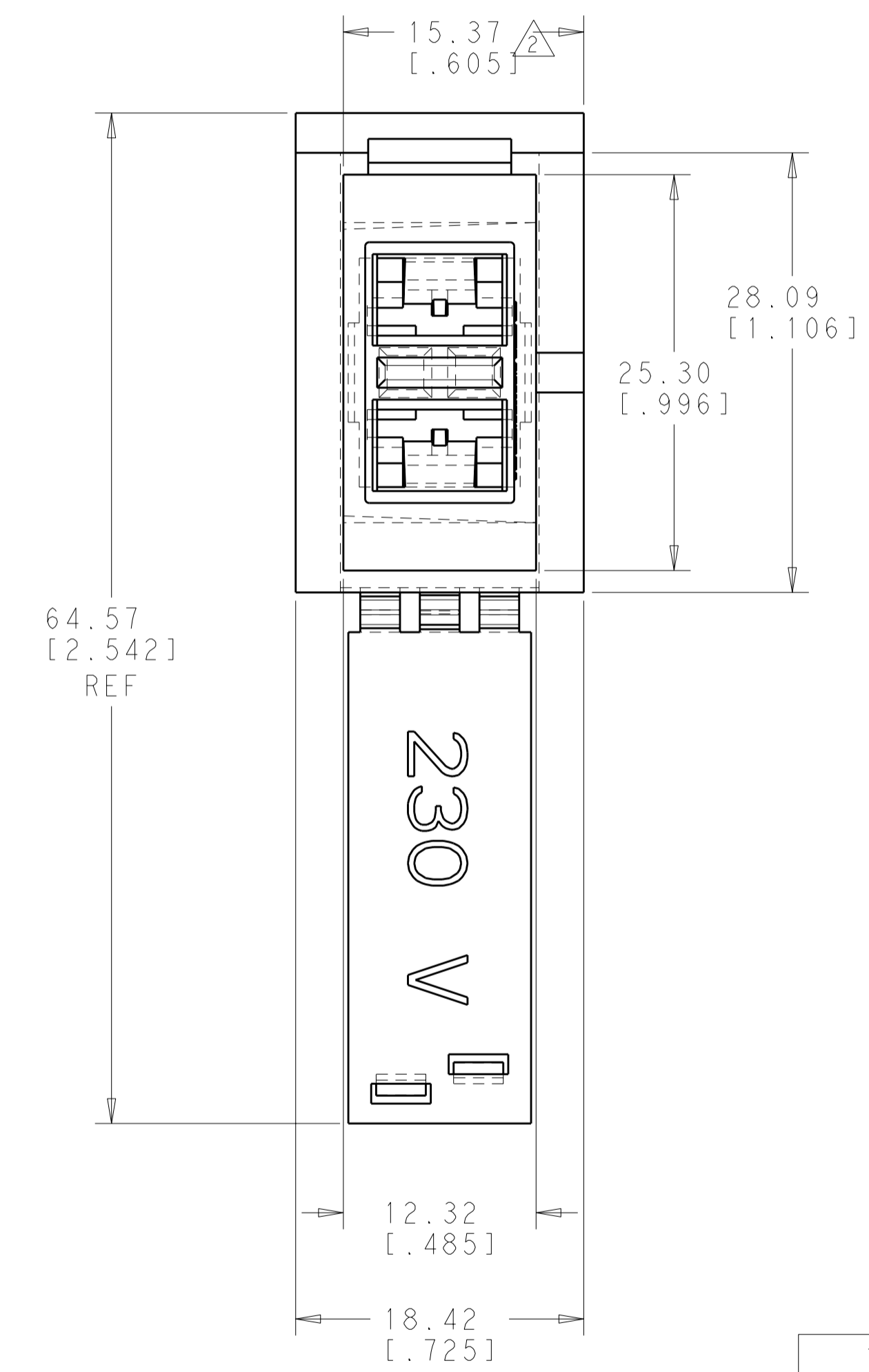
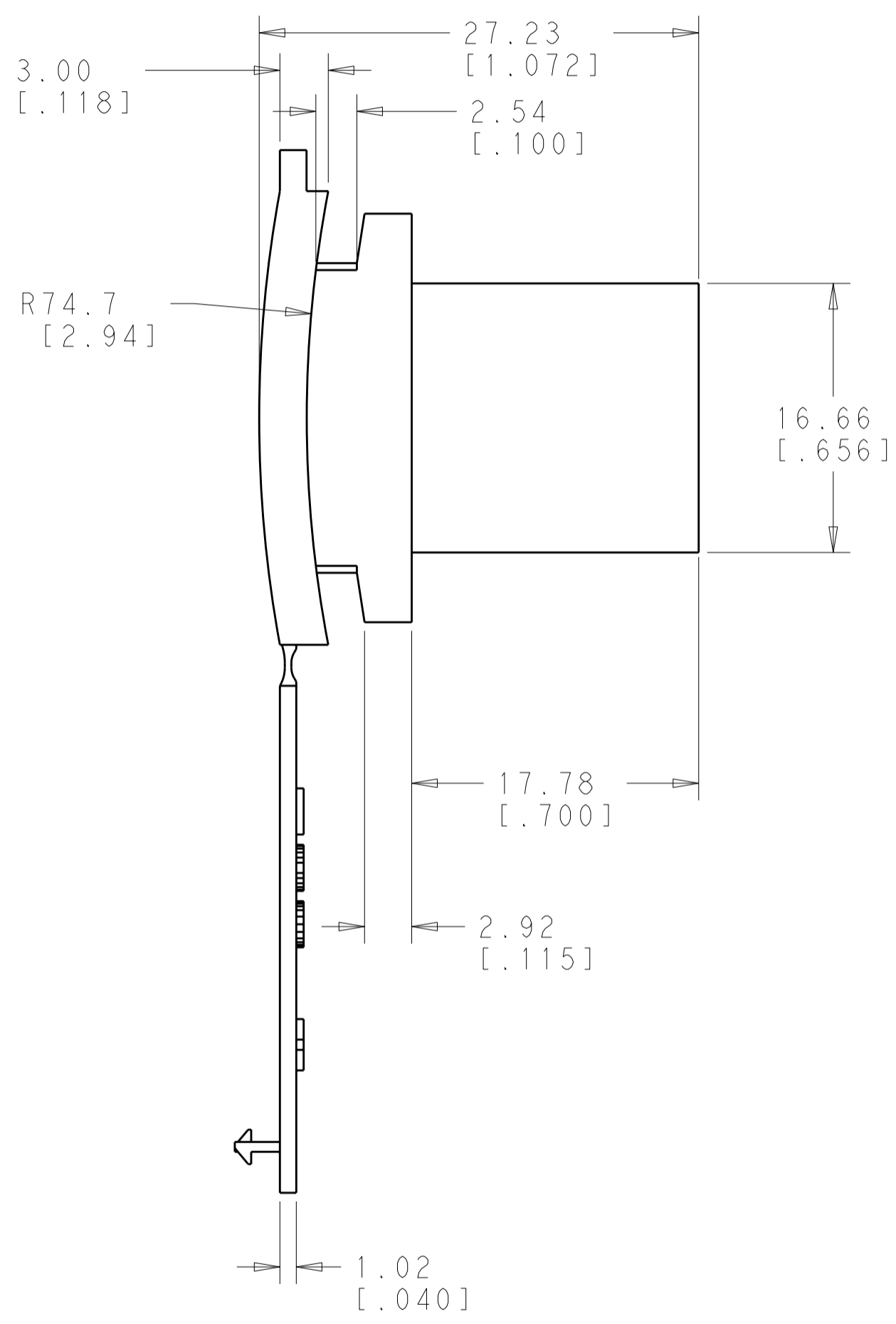
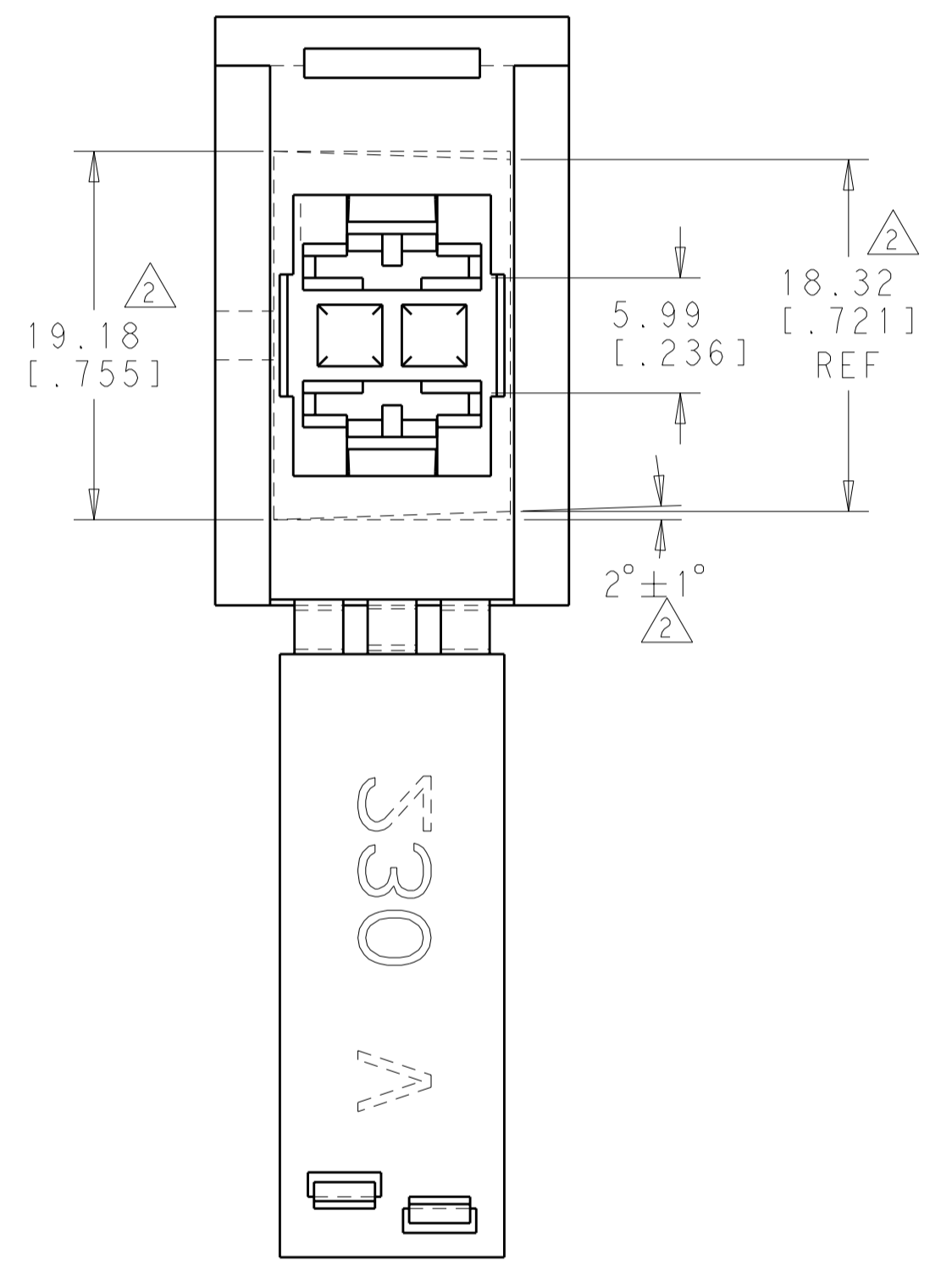


THIS DRAWING IS UNPUBLISHED. RELEASED FOR PUBLICATION 20
 © COPYRIGHT 20 AMP ALL RIGHTS RESERVED.

LOC		DIST		REVISIONS			
P	LTR	DESCRIPTION	DATE	DWN	APVD		
	A3	REV PER ECR 11-005349	18MAR11	JR	PD		



⚠ THESE DIM'S CAN BE USED TO CALCULATE THE CUT-OUT IN THE CAN WALL.



SCALE 2:1

1969387-1
PART NUMBER

THIS DRAWING IS A CONTROLLED DOCUMENT.		DWN	JR RUTH	09AUG2010	TE Connectivity		
DIMENSIONS: mm [INCHES]		CHK	PETE DESANTIS	09AUG2010			
TOLERANCES UNLESS OTHERWISE SPECIFIED:		APVD	PETE DESANTIS	09AUG2010	NAME		
0 PLC	±	PRODUCT SPEC		HOUSING, RECEPTACLE, FASTON, 2 POSITION, .250 SERIES			
1 PLC	±	APPLICATION SPEC		SIZE	CAGE CODE	DRAWING NO	RESTRICTED TO
2 PLC	±0.25 [.010]	WEIGHT		A2	00779	C-1969387	-
3 PLC	±	CUSTOMER DRAWING		SCALE	3:1	SHEET	1 OF 1
4 PLC	±						REV
ANGLES	±						A3
FINISH							
MATERIAL	NYLON, V0						
	COLOR-BLACK						

单击下面可查看定价，库存，交付和生命周期等信息

[>>TE Connectivity\(泰科\)](#)