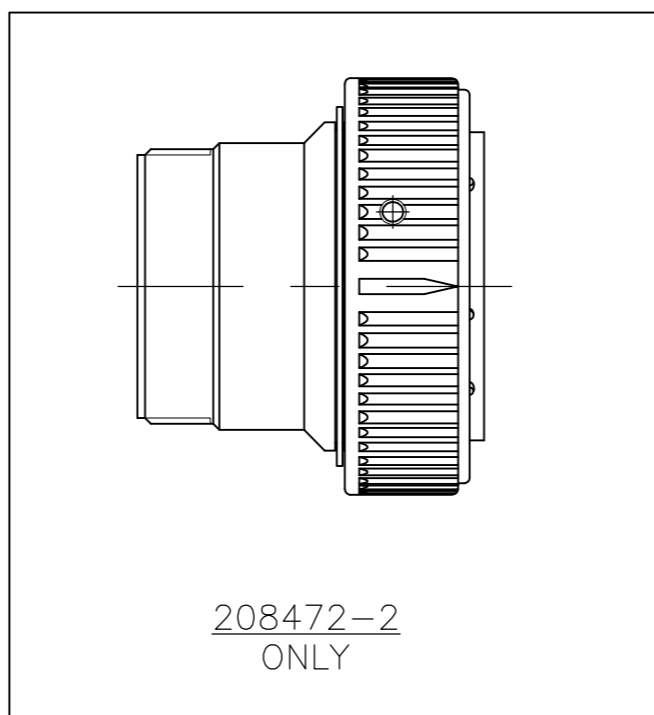
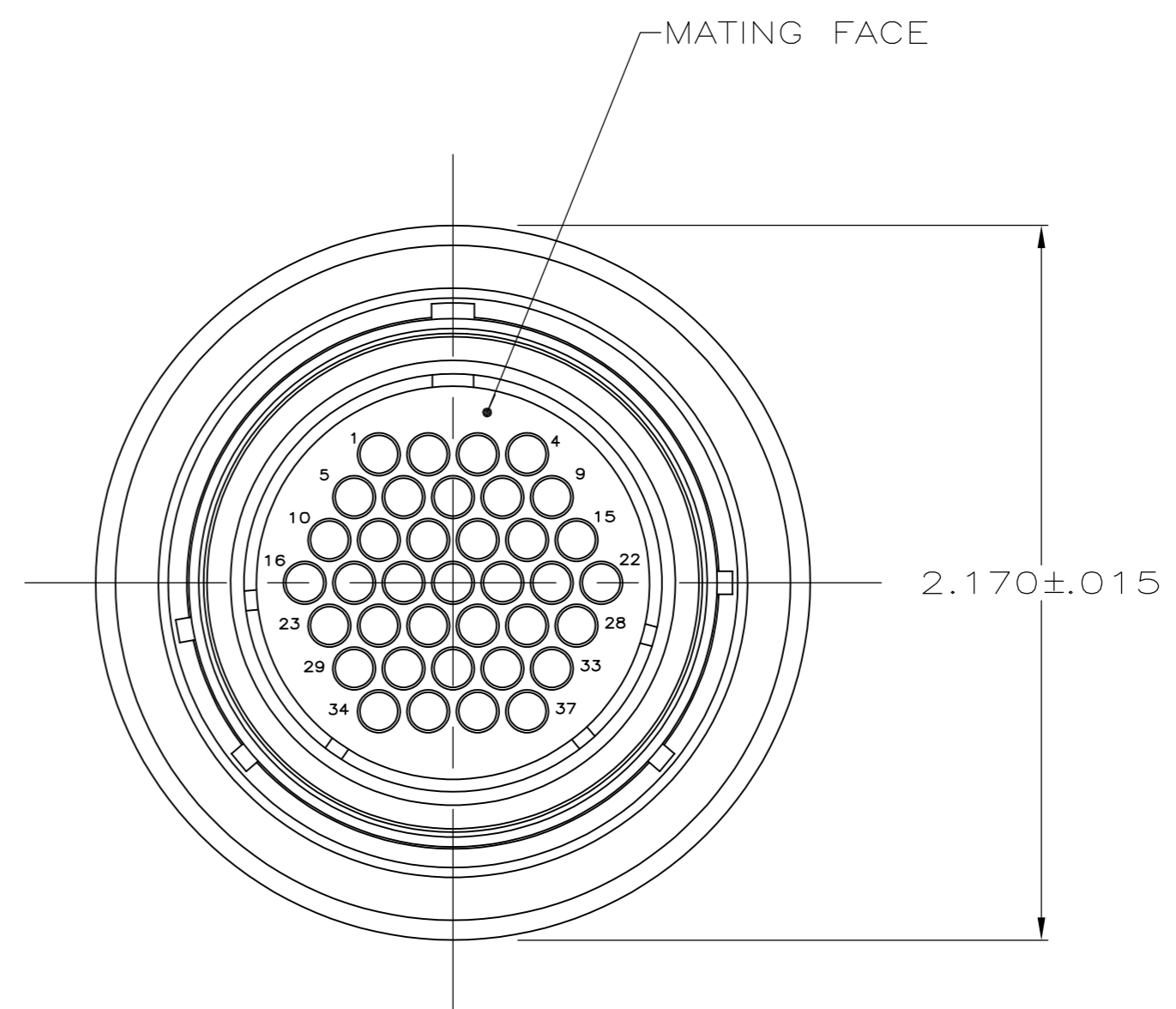
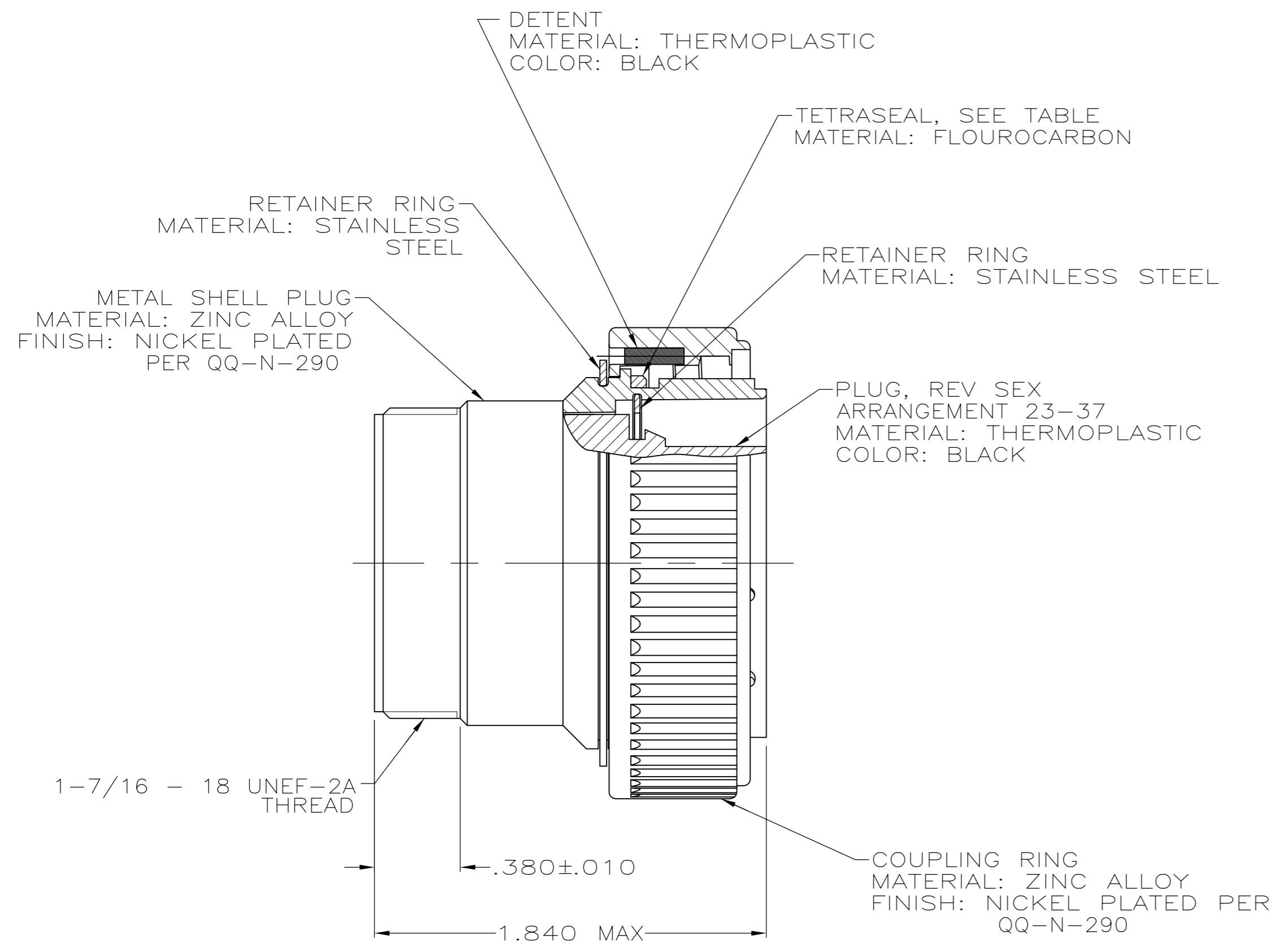


THIS DRAWING IS UNPUBLISHED. RELEASED FOR PUBLICATION
 © COPYRIGHT - By - ALL RIGHTS RESERVED.

REVISIONS				
P	LTR	DESCRIPTION	DATE	APVD
V2		REVISED PER ECO-16-004800	12SEP2016	NK MZ



OBSOLETE	NO	YES	-208472-3-
	YES	YES	-208472-2-
	NO	NO	208472-1
SECONDARY LOCKING FEATURE	TETRASEAL	PART NUMBER	

1 AMP PART NUMBER AND DATE CODE TO BE LOCATED ON COUPLING RING.

THIS DRAWING IS A CONTROLLED DOCUMENT.		DWN 6-25-91 R.LEE BG	TE TE Connectivity	
DIMENSIONS: INCHES		CHK 4-16-92 W.G.LENKER		
TOLERANCES UNLESS OTHERWISE SPECIFIED:		APVD -	NAME	
0 PLC ± -	1 PLC ± -	PRODUCT SPEC	PLUG ASSEMBLY, REV SEX, SERIES 1, 28-37, CMC	
2 PLC ± -	3 PLC ± -	APPLICATION SPEC	108-10040	
4 PLC ± -	ANGLES ± -	WEIGHT -	SIZE A2	CAGE CODE 00779
MATERIAL SEE CALLOUT	FINISH SEE CALLOUT	CUSTOMER DRAWING	DRAWING NO C-208472	RESTRICTED TO -
SCALE 2:1			SHEET 1 of 1	REV V2

单击下面可查看定价，库存，交付和生命周期等信息

[>>TE Connectivity\(泰科\)](#)