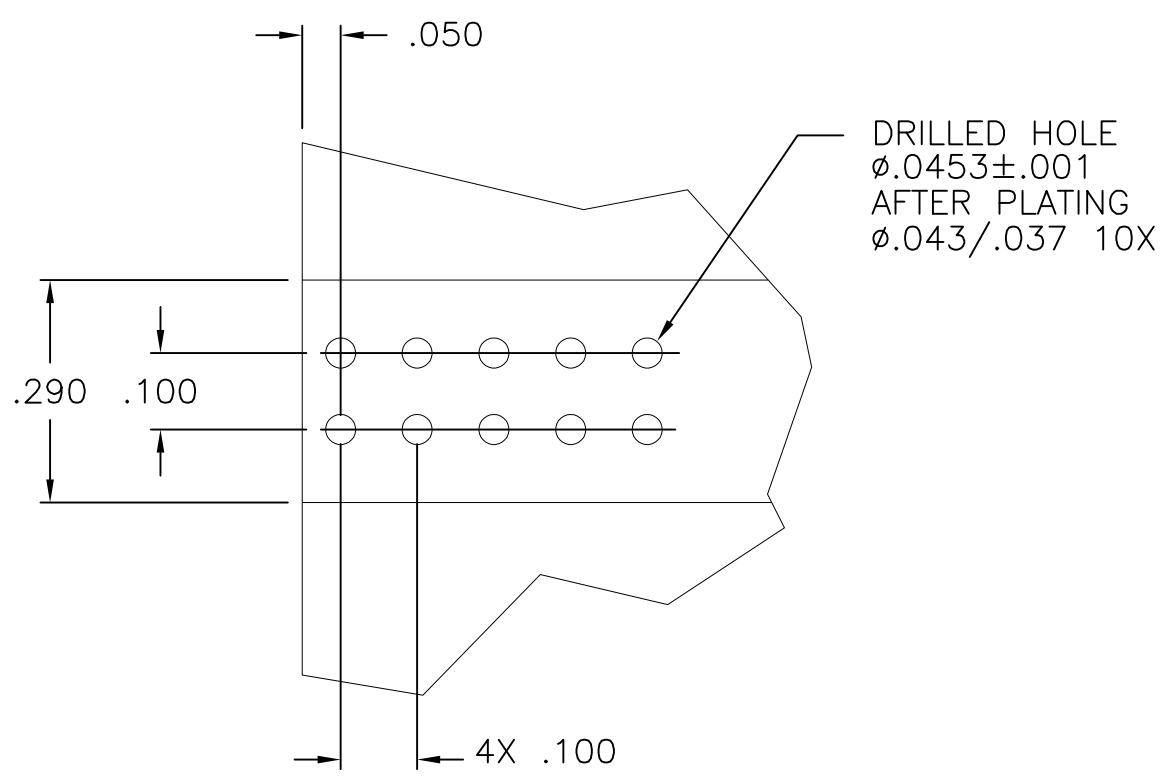
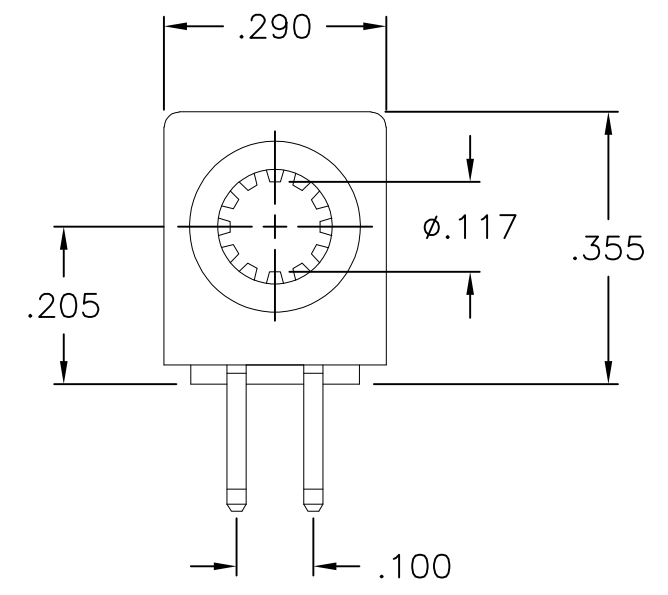
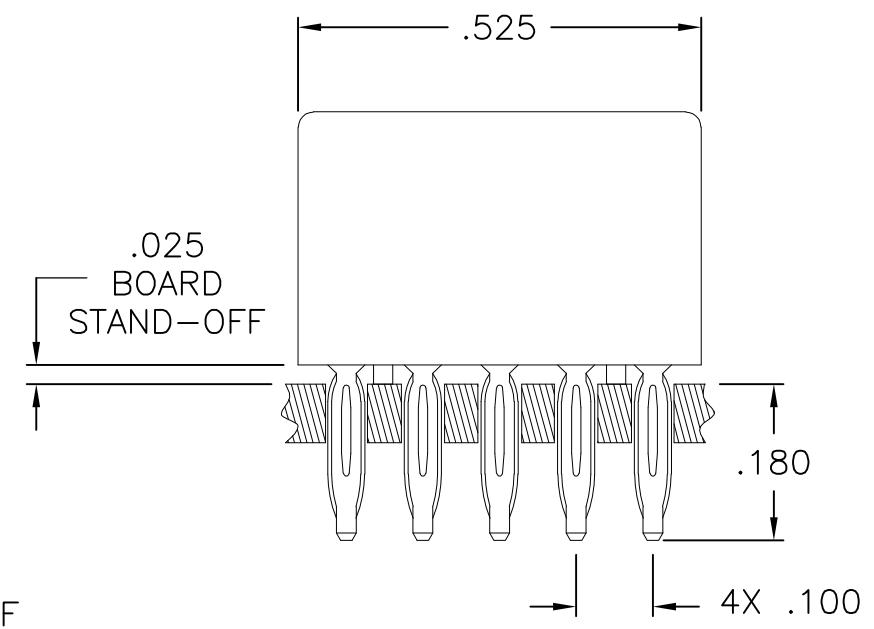


THIS DRAWING IS UNPUBLISHED. RELEASED FOR PUBLICATION
 © COPYRIGHT BY TYCO ELECTRONICS CORPORATION. ALL RIGHTS RESERVED.

LOC	DIST	REVISIONS					
GP	00	P	LTR	DESCRIPTION	DATE	DWN	APVD
			C	REV PER ECO-08-005464	13MAR08	RG	DO



SUGGESTED BOARD LAYOUT



- PART NUMBER CHANGES AND/OR DESIGN CHANGES AFFECTING ITEM INTERCHANGEABILITY REQUIRE PRIOR TYCO ELECTRONICS APPROVAL AND AUTHORIZATION BY REVISION TO THIS DRAWING.
- ITEMS PROVIDED TO THIS SPECIFICATION SHALL BE IDENTIFIED ON THE CONTAINER WITH THE PART NUMBER AND DATE CODE OF MANUFACTURE.
- MATERIALS:
 INSULATOR – POLYESTER, GLASS FILLED, UL 94V-0 RATED, COLOR BLACK
 CROWN CONTACT – COPPER ALLOY.
 CONTACT BODY – PHOSPHOR BRONZE
- FINISHES:
 CROWN CONTACT – GOLD PLATE .000030 MIN THK. OVER NICKEL .000050 MIN THK.
 CONTACT BODY – SILVER PLATE .000100 MIN THK. OVER NICKEL .000050 MIN THK.

AS SHOWN	6643220-1
DESCRIPTION	PART NO.

THIS DRAWING IS A CONTROLLED DOCUMENT.		DWN R.GRZYBOWSKI 03DEC2007	Tyco Electronics Corporation Harrisburg, PA 17105-3608	
DIMENSIONS: INCHES		CHK S.FLICKINGER 11DEC07	NAME	
TOLERANCES UNLESS OTHERWISE SPECIFIED:		APVD S.FLICKINGER 11DEC07	CONNECTOR, SOCKET, SLIMLINE PARALLEL PIN, COMPLIANT TAIL ICCON	
0 PLC ± -		PRODUCT SPEC	SIZE	CAGE CODE
1 PLC ± -		APPLICATION SPEC	A3	00779
2 PLC ± .02		WEIGHT	DRAWING NO C-6643220	
3 PLC ± .010			RESTRICTED TO	
4 PLC ± -			-	
ANGLES ± .5			SCALE	SHEET
MATERIAL			4:1	1 OF 1
FINISH			REV	C
		CUSTOMER DRAWING		

单击下面可查看定价，库存，交付和生命周期等信息

[>>TE Connectivity\(泰科\)](#)