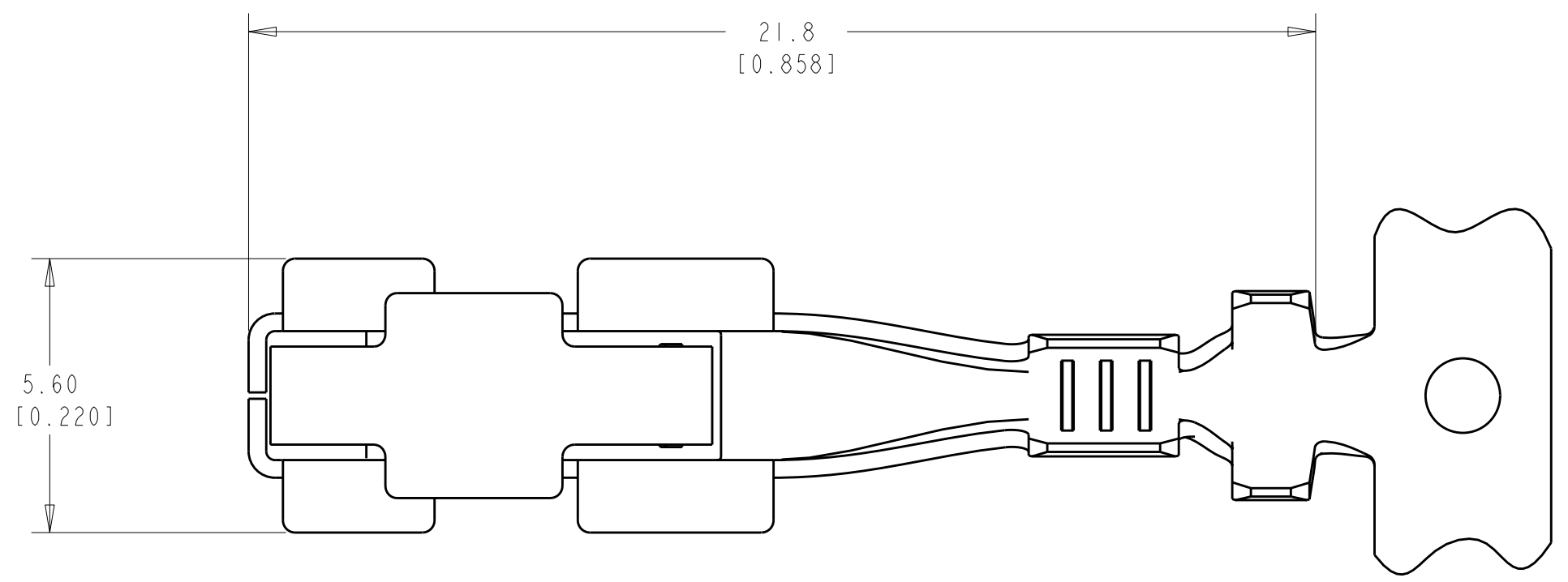
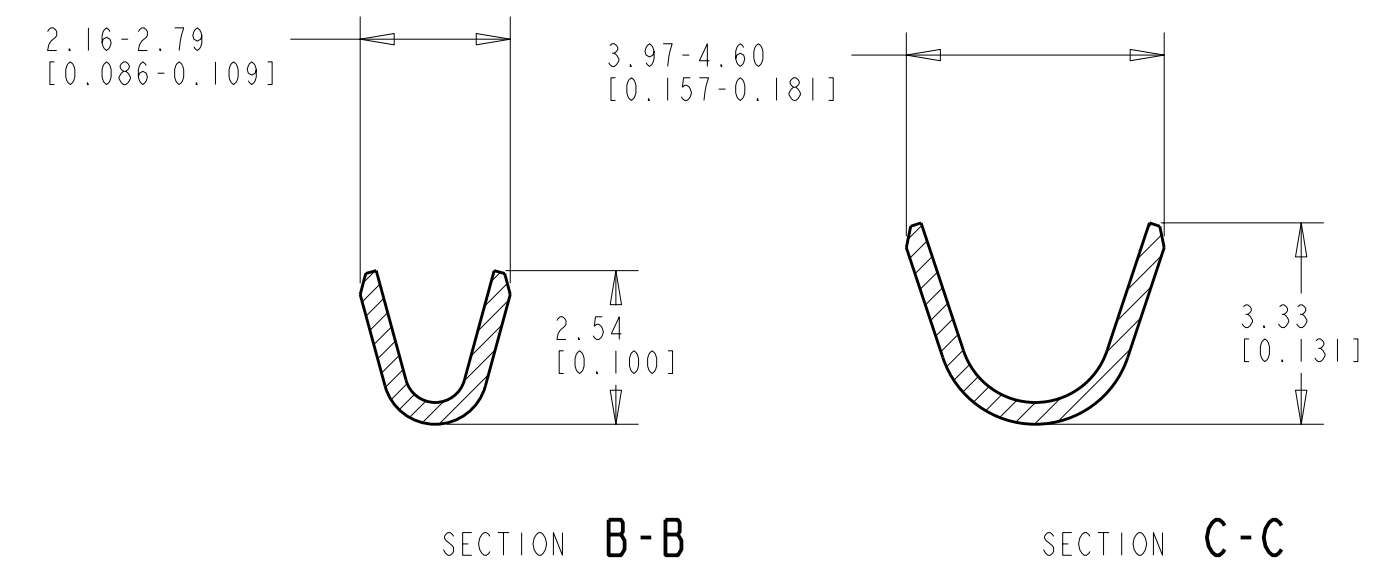
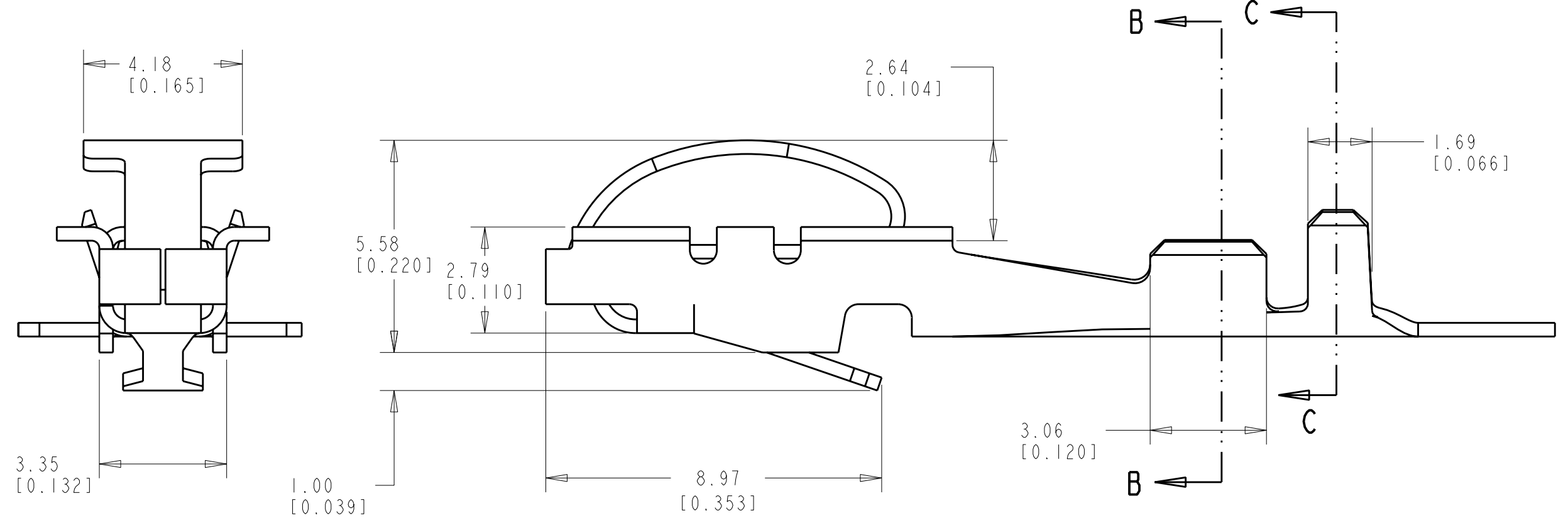
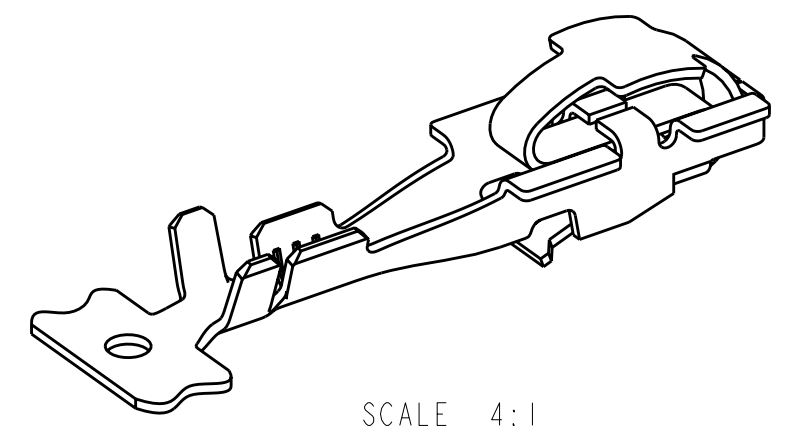


LOC	DIST	REVISIONS			
P	LTR	DESCRIPTION	DATE	DWN	APVD
-	-	A3	REVISED PER ECR-08-008677	09APR2008	HMR DD



- 1 MATERIAL: 0.36 THK. PHOSPHOR BRONZE
- 2 FINISH - PRE-PLATED TIN
- 3 CONTINUOUS STRIP ON REELS



F OR 0	3.56 [.140]	5.59 [.220]	F	1.78 [.070]	1.19 [.047]	[#22]
					1.27 [.050]	[#20]
					1.42 [.056]	[#18]
TYPE	WIDTH	STRIP LENGTH ±0.38 ±[.015]	TYPE	WIDTH	±0.051 ±[.002] HEIGHT	WIRE
INSUL BARREL CRIMP		WIRE BARREL CRIMP				

1.52 - 2.54 DIA [.060 - .100] DIA		[#22 - #18] AWG	1742395-1
INSULATION RANGE		WIRE SIZE	PART NUMBER
<small>THIS DRAWING IS A CONTROLLED DOCUMENT FOR TYCO ELECTRONICS CORPORATION. IT IS SUBJECT TO CHANGE AND THE CONTROLLING ENGINEERING ORGANIZATION SHOULD BE CONTACTED FOR THE LATEST REVISION.</small>		DWN S_HILT 15MAY2007	Tyco Electronics Harrisburg, PA 17105-3608
<small>DIMENSIONS: mm</small> 		CHK S_HORST 15MAY2007	NAME TERMINAL, LAMP SOCKET, WEDGE BASE
<small>TOLERANCES UNLESS OTHERWISE SPECIFIED:</small> 0 PLC ± 1 PLC ± 2 PLC ±0.13 3 PLC ± 4 PLC ± ANGLES ±° FINISH		APVD -	RESTRICTED TO -
MATERIAL 1 -		PRODUCT SPEC 108-2315	SIZE A2
		APPLICATION SPEC 114-13209	CAGE CODE 00779
		WEIGHT -	DRAWING NO 1742395
		CUSTOMER DRAWING	SCALE 8:1 SHEET 1 OF 1 REV A3

单击下面可查看定价，库存，交付和生命周期等信息

[>>TE Connectivity\(泰科\)](#)