
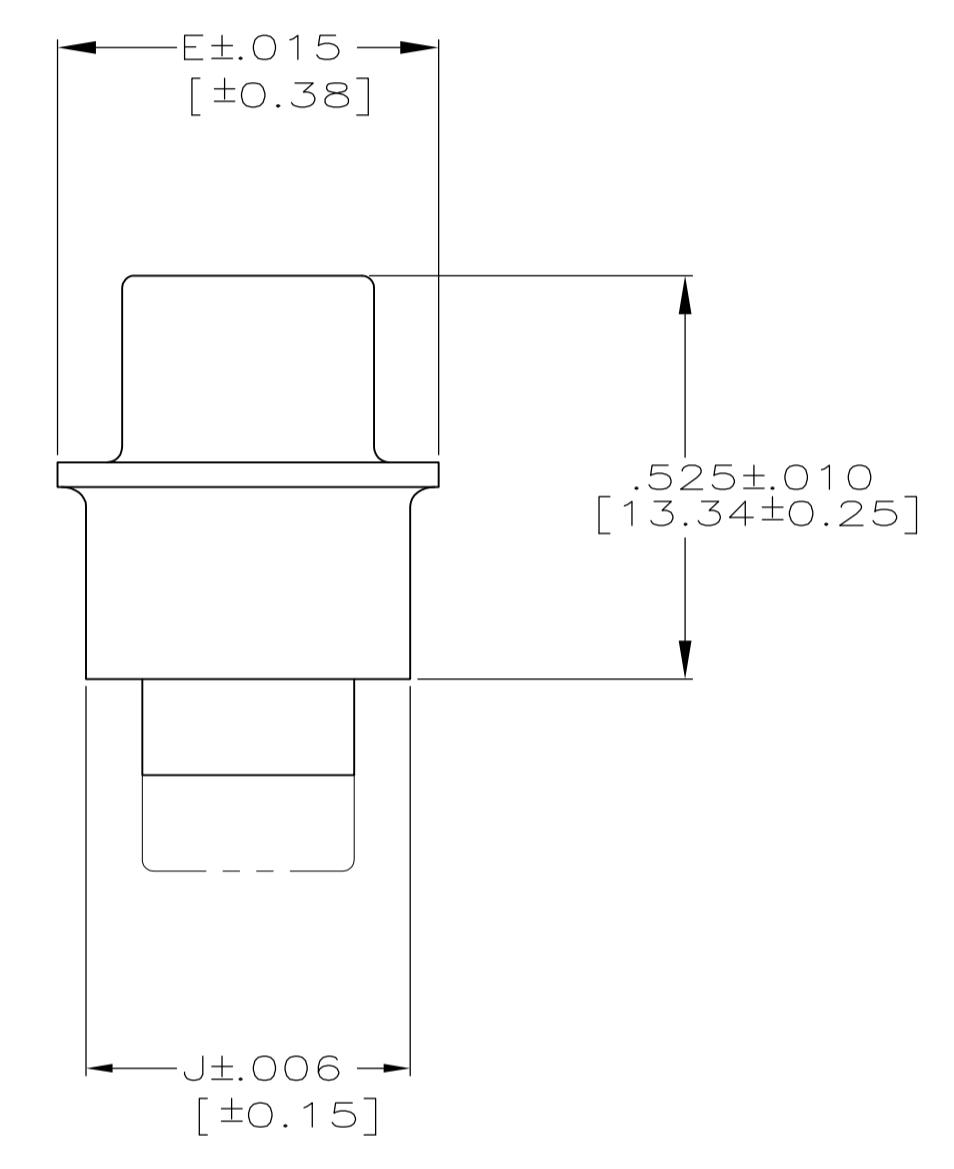
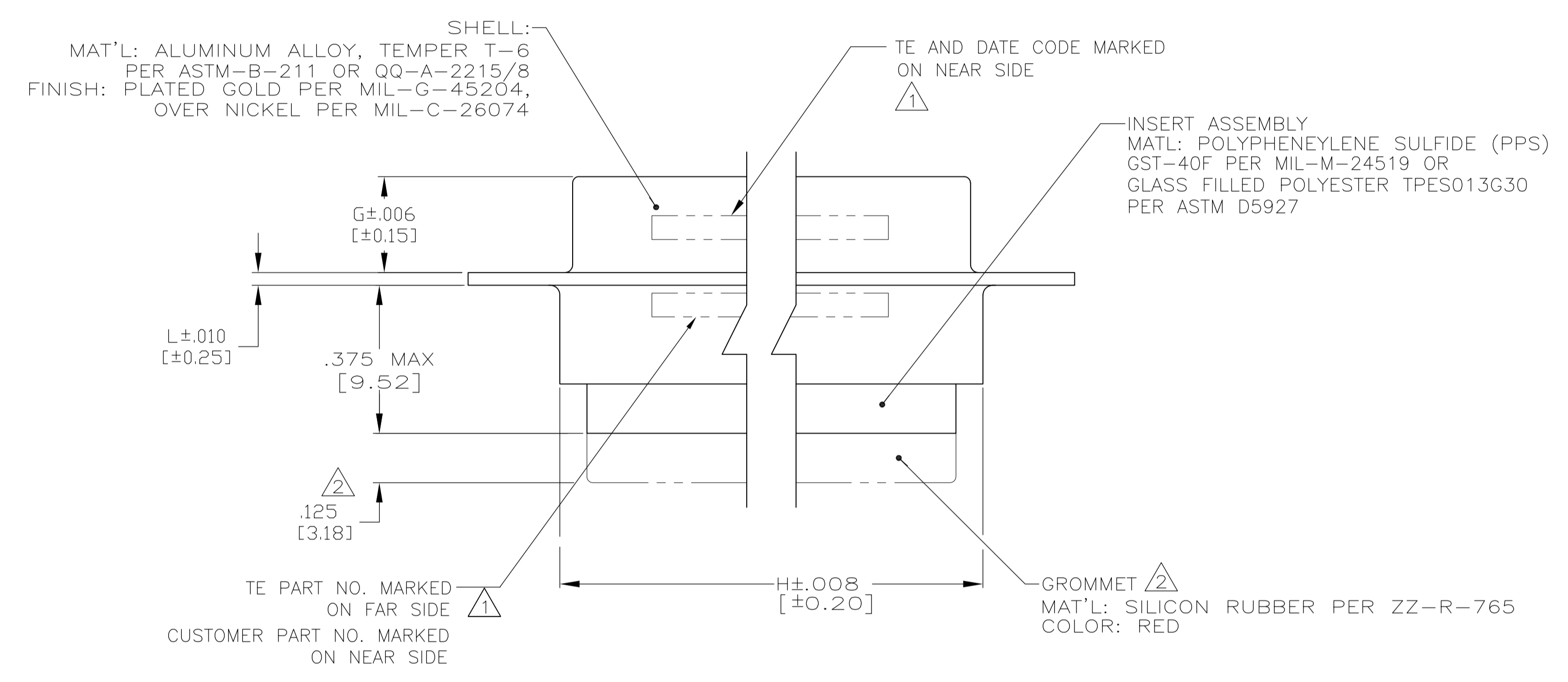
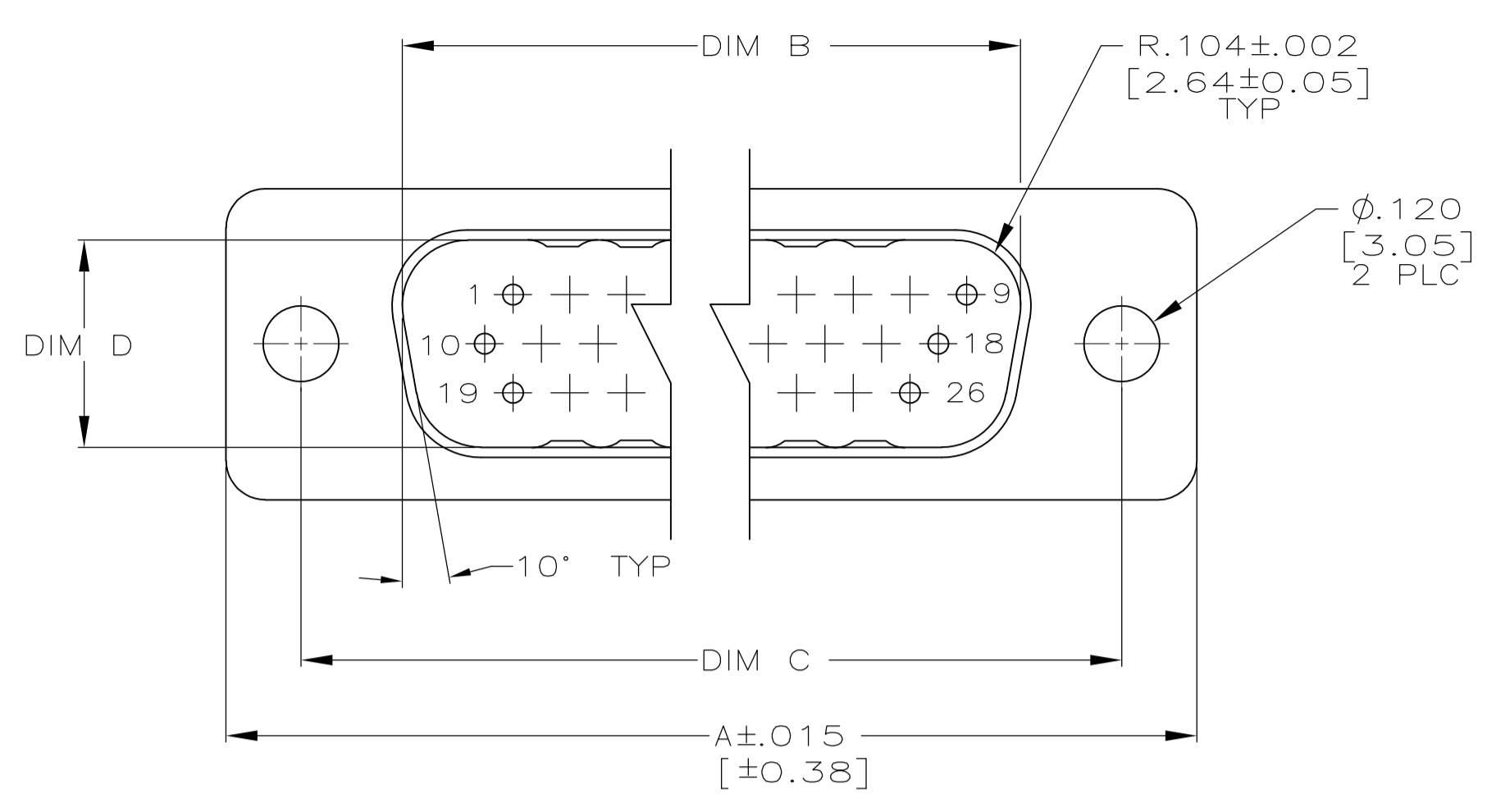


- 1. MARKED WITH .047 [1.19] HIGH CHARACTERS. FAR SIDE REFERS TO WIDE SIDE OF KEYSTONE, NEAR SIDE REFERS TO NARROW SIDE OF KEYSTONE.
- 2. RUBBER GROMMET APPLIES ONLY FOR 1218232-7 THRU 1-1218232-2 AND 2-1218232-7 THRU 3-1218232-2.
- 3. BERYLLIUM COPPER RETENTION CLIPS ARE INCLUDED IN INSERTS.
- 4. CONTACTS NOT SUPPLIED, MUST BE ORDERED SEPARATELY. WILL ACCOMMODATE A SIZE 22 PIN CONTACT PER MIL-C-39029/58-360 OR NASA G-08-P1. CONTACT THE ENGINEERING FOR ANY OTHER CONTACT STYLES.
- 5. THIS PLUG WILL MATE WITH ANY RECEPTACLE CONNECTOR WITH THE SAME INSERT ARRANGEMENT.
- 6. MAXIMUM WIRE INSULATION USED WITH THIS CONNECTOR IS .054 [1.37] DIAMETER WITH GROMMET, .068 [1.73] WITHOUT GROMMET.
- 7. UNLESS OTHERWISE STATED THIS ASSEMBLY CONFORMS TO MIL-PRF-24308.
- 8. SPECIAL TESTING PER RAYTHEON R10006242 SPECIFICATION.

L	J	H	G	E	D	C	B	A	REMARKS	NO OF POSN.	SHELL SIZE	PART NUMBER
.039	.608	2.313	.230	.668	.503	2.500	2.212	2.729	2	104	6	3-1218232-2
[0.99]	[15.44]	[58.75]	[5.84]	[16.97]	[12.78]	[63.50]	[56.18]	[69.32]	8			
.039	.550	2.189	.230	.605	.441	2.406	2.079	2.635	2	78	5	3-1218232-1
[0.99]	[13.97]	[55.60]	[5.84]	[15.38]	[11.20]	[61.11]	[52.81]	[66.93]	8			
.039	.438	2.284	.230	.494	.329	2.500	2.182	2.729	2	62	4	3-1218232-0
[0.99]	[11.13]	[58.01]	[5.84]	[12.55]	[8.36]	[63.50]	[55.42]	[69.32]	8			
.039	.438	1.636	.230	.494	.329	1.852	1.534	2.088	2	44	3	2-1218232-9
[0.99]	[11.13]	[41.55]	[5.84]	[12.55]	[8.36]	[47.04]	[38.96]	[53.04]	8			
.030	.438	1.094	.235	.494	.329	1.312	.994	1.541	2	26	2	2-1218232-8
[0.76]	[11.13]	[27.79]	[5.97]	[12.55]	[8.36]	[33.32]	[25.25]	[39.14]	8			
.030	.438	.770	.235	.494	.329	.984	.666	1.213	2	15	1	2-1218232-7
[0.76]	[11.13]	[19.56]	[5.97]	[12.55]	[8.36]	[24.99]	[16.92]	[30.81]	8			
.039	.608	2.313	.230	.668	.503	2.500	2.212	2.729	8	104	6	2-1218232-6
[0.99]	[15.44]	[58.75]	[5.84]	[16.97]	[12.78]	[63.50]	[56.18]	[69.32]				
.039	.550	2.189	.230	.605	.441	2.406	2.079	2.635	8	78	5	2-1218232-5
[0.99]	[13.97]	[55.60]	[5.84]	[15.38]	[11.20]	[61.11]	[52.81]	[66.93]				
.039	.438	2.284	.230	.494	.329	2.500	2.182	2.729	8	62	4	2-1218232-4
[0.99]	[11.13]	[58.01]	[5.84]	[12.55]	[8.36]	[63.50]	[55.42]	[69.32]				
.039	.438	1.636	.230	.494	.329	1.852	1.534	2.088	8	44	3	2-1218232-3
[0.99]	[11.13]	[41.55]	[5.84]	[12.55]	[8.36]	[47.04]	[38.96]	[53.04]				
.030	.438	1.094	.235	.494	.329	1.312	.994	1.541	8	26	2	2-1218232-2
[0.76]	[11.13]	[27.79]	[5.97]	[12.55]	[8.36]	[33.32]	[25.25]	[39.14]				
.030	.438	.770	.235	.494	.329	.984	.666	1.213	8	15	1	2-1218232-1
[0.76]	[11.13]	[19.56]	[5.97]	[12.55]	[8.36]	[24.99]	[16.92]	[30.81]				
.039	.608	2.313	.230	.668	.503	2.500	2.212	2.729	2	104	6	1-1218232-2
[0.99]	[15.44]	[58.75]	[5.84]	[16.97]	[12.78]	[63.50]	[56.18]	[69.32]	8			
.039	.550	2.189	.230	.605	.441	2.406	2.079	2.635	2	78	5	1-1218232-1
[0.99]	[13.97]	[55.60]	[5.84]	[15.38]	[11.20]	[61.11]	[52.81]	[66.93]	8			
.039	.438	2.284	.230	.494	.329	2.500	2.182	2.729	2	62	4	1-1218232-0
[0.99]	[11.13]	[58.01]	[5.84]	[12.55]	[8.36]	[63.50]	[55.42]	[69.32]	8			
.039	.438	1.636	.230	.494	.329	1.852	1.534	2.088	2	44	3	1218232-9
[0.99]	[11.13]	[41.55]	[5.84]	[12.55]	[8.36]	[47.04]	[38.96]	[53.04]	8			
.030	.438	1.094	.235	.494	.329	1.312	.994	1.541	2	26	2	1218232-8
[0.76]	[11.13]	[27.79]	[5.97]	[12.55]	[8.36]	[33.32]	[25.25]	[39.14]	8			
.030	.438	.770	.235	.494	.329	.984	.666	1.213	2	15	1	1218232-7
[0.76]	[11.13]	[19.56]	[5.97]	[12.55]	[8.36]	[24.99]	[16.92]	[30.81]	8			
.039	.608	2.313	.230	.668	.503	2.500	2.212	2.729	-	104	6	1218232-6
[0.99]	[15.44]	[58.75]	[5.84]	[16.97]	[12.78]	[63.50]	[56.18]	[69.32]				
.039	.550	2.189	.230	.605	.441	2.406	2.079	2.635	-	78	5	1218232-5
[0.99]	[13.97]	[55.60]	[5.84]	[15.38]	[11.20]	[61.11]	[52.81]	[66.93]				
.039	.438	2.284	.230	.494	.329	2.500	2.182	2.729	-	62	4	1218232-4
[0.99]	[11.13]	[58.01]	[5.84]	[12.55]	[8.36]	[63.50]	[55.42]	[69.32]				
.039	.438	1.636	.230	.494	.329	1.852	1.534	2.088	-	44	3	1218232-3
[0.99]	[11.13]	[41.55]	[5.84]	[12.55]	[8.36]	[47.04]	[38.96]	[53.04]				
.030	.438	1.094	.235	.494	.329	1.312	.994	1.541	-	26	2	1218232-2
[0.76]	[11.13]	[27.79]	[5.97]	[12.55]	[8.36]	[33.32]	[25.25]	[39.14]				
.030	.438	.770	.235	.494	.329	.984	.666	1.213	-	15	1	1218232-1
[0.76]	[11.13]	[19.56]	[5.97]	[12.55]	[8.36]	[24.99]	[16.92]	[30.81]				

THIS DRAWING IS A CONTROLLED DOCUMENT.		DWG: C.C. THOMAS 7-27-05	 TE Connectivity
DIMENSIONS: INCHES		CHK: D. MILLER 7-27-05	
TOLERANCES UNLESS OTHERWISE SPECIFIED:		NAME: D. MILLER 7-27-05	PLUG ASSEMBLY, AMPLIMITE ULTRA-LITE, SERIES 90, SIZE 1 THRU 6
0 PLC ± - 1 PLC ± - 2 PLC ± - 3 PLC ± .005 [0.13] 4 PLC ± - ANGLES ± .4°		APPROD: D. MILLER 7-27-05	
MATERIAL: -	FINISH: -	WEIGHT: -	RESTRICTED TO: -
CUSTOMER DRAWING		SCALE: 4:1	SHEET 1 OF 2

LOC		DIST		REVISIONS			
P	LYR	DESCRIPTION	DATE	DNW	APVD		
-	-	SEE SHEET #1	-	-	-	-	-



THIS DRAWING IS A CONTROLLED DOCUMENT.		DIN C.C.THOMAS 7-27-05		TE Connectivity																																					
DIMENSIONS: INCHES		TOLERANCES UNLESS OTHERWISE SPECIFIED:																																							
<table border="1"> <tr><td>0 PLC</td><td>±</td><td>-</td></tr> <tr><td>1 PLC</td><td>±</td><td>-</td></tr> <tr><td>2 PLC</td><td>±</td><td>-</td></tr> <tr><td>3 PLC</td><td>±</td><td>.005 [0.13]</td></tr> <tr><td>4 PLC</td><td>±</td><td>-.4*</td></tr> <tr><td>ANGLES</td><td>±</td><td>-.4*</td></tr> </table>		0 PLC	±	-	1 PLC	±	-	2 PLC	±	-	3 PLC	±	.005 [0.13]	4 PLC	±	-.4*	ANGLES	±	-.4*	<table border="1"> <tr><td>APVD</td><td>D.MILLER 7-27-05</td></tr> <tr><td>NAME</td><td>PLUG ASSEMBLY, AMPLIMITE ULTRA-LITE, SERIES 90, SIZE 1 THRU 6</td></tr> <tr><td>PRODUCT SPEC</td><td>-</td></tr> <tr><td>APPLICATION SPEC</td><td>-</td></tr> <tr><td>WEIGHT</td><td>-</td></tr> </table>		APVD	D.MILLER 7-27-05	NAME	PLUG ASSEMBLY, AMPLIMITE ULTRA-LITE, SERIES 90, SIZE 1 THRU 6	PRODUCT SPEC	-	APPLICATION SPEC	-	WEIGHT	-	<table border="1"> <tr><td>SIZE</td><td>A1</td></tr> <tr><td>CAGE CODE</td><td>00779</td></tr> <tr><td>DRAWING NO</td><td>1218232</td></tr> <tr><td>RESTRICTED TO</td><td>-</td></tr> </table>		SIZE	A1	CAGE CODE	00779	DRAWING NO	1218232	RESTRICTED TO	-
0 PLC	±	-																																							
1 PLC	±	-																																							
2 PLC	±	-																																							
3 PLC	±	.005 [0.13]																																							
4 PLC	±	-.4*																																							
ANGLES	±	-.4*																																							
APVD	D.MILLER 7-27-05																																								
NAME	PLUG ASSEMBLY, AMPLIMITE ULTRA-LITE, SERIES 90, SIZE 1 THRU 6																																								
PRODUCT SPEC	-																																								
APPLICATION SPEC	-																																								
WEIGHT	-																																								
SIZE	A1																																								
CAGE CODE	00779																																								
DRAWING NO	1218232																																								
RESTRICTED TO	-																																								
MATERIAL		FINISH		CUSTOMER DRAWING																																					
				SCALE 4:1 SHEET 2 OF 2 REV H																																					

单击下面可查看定价，库存，交付和生命周期等信息

[>>TE Connectivity\(泰科\)](#)