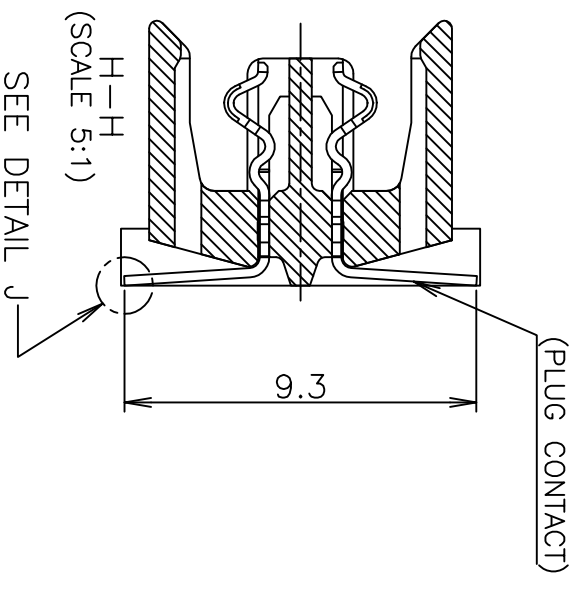
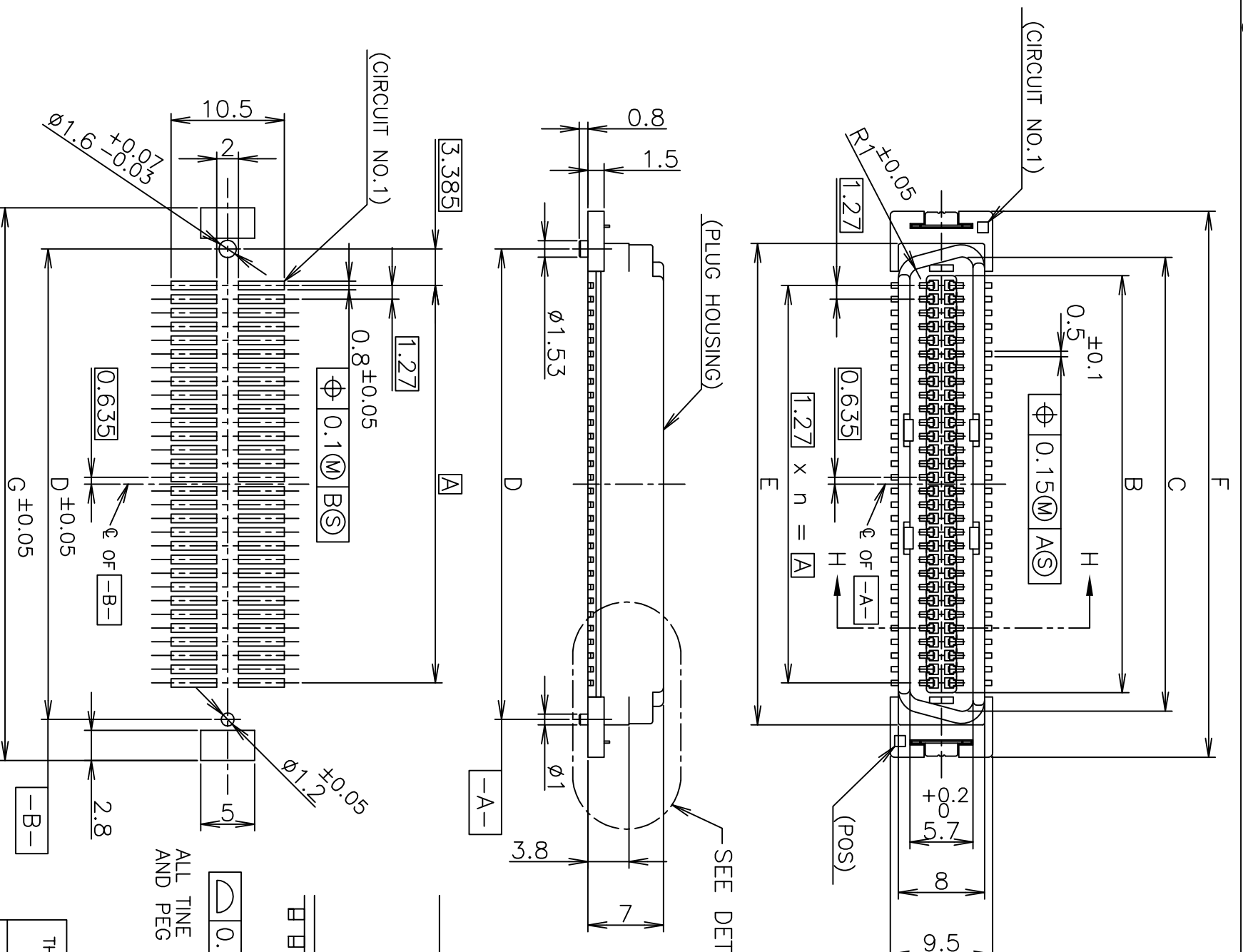


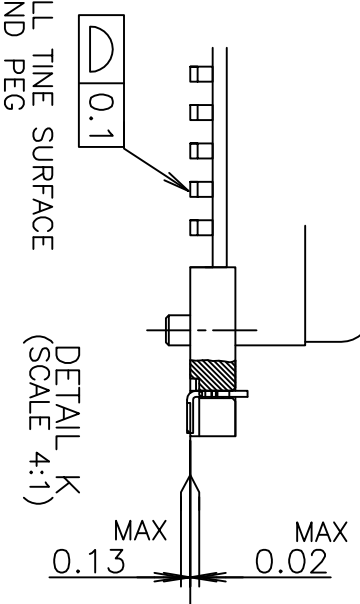
LOC	DIST	REV	DESCRIPTION	DATE	DMN	APVD
J		A	REVISED	16FEB2010	T.K	E.T
		B	REVISED PER ECO-15-000365	09JAN2015	H.W	J.Y

REVISIONS

- 1 MATERIAL: HOUSIN: THERMOPLASTIC (UL 94V-0) BLACK.  
CONTACT: COPPER ALLOY  
SOLDER PEG: COPPER ALLOY
- 2 FINISH: CONTACT: Au PL. CONTACT AREA.  
TIN PL. AT TINE AREA, OVER Ni UNDER PL.  
SOLDER PEG: TIN PL., OVER Ni UNDER PL.



DETAIL J (SCALE 4:1)



DETAIL K (SCALE 4:1)

Au Pl. THICKNESS	G	F	E	D	C	B	A	n	POS	P/N
0.0003 MIN.	51.2	50.6	44.6	43.6	42.07	38.63	36.83	29	60	1-5179656-2
0.00076 MIN.	51.2	50.6	44.6	43.6	42.07	38.63	36.83	29	60	2-5179656-2
0.0003 MIN.	63.9	63.3	57.3	56.3	54.77	51.33	49.53	39	80	5179656-3
0.0003 MIN.	51.2	50.6	44.6	43.6	42.07	38.63	36.83	29	60	5179656-2

-2 ; AS SHOWN

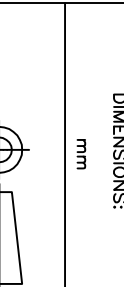
RECOMMENDED P.C.B LAYOUT (CONNECTOR MOUNT SIDE)

THIS DRAWING IS A CONTROLLED DOCUMENT.

DIMENSIONS: mm

TOLERANCES UNLESS OTHERWISE SPECIFIED:

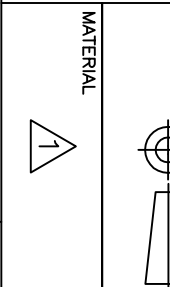
APVD I. ENOMOTO



ALL TINE SURFACE AND PEG

0.02 ± 0.02 ± 0.02 ± 0.2 ± 0.3

APVD I. ENOMOTO 30AUG04 NAME Tyco Electronics Kawasaki, Japan



MATERIAL

0 PLC ± 0.2 1 PLC ± 0.2 2 PLC ± 0.2 3 PLC ± 0.2 4 PLC ± 0.2 ANGLES ± 0.3

APVD I. ENOMOTO 30AUG04 NAME Tyco Electronics Kawasaki, Japan

RESTRICTED TO

单击下面可查看定价，库存，交付和生命周期等信息

[>>TE Connectivity\(泰科\)](#)