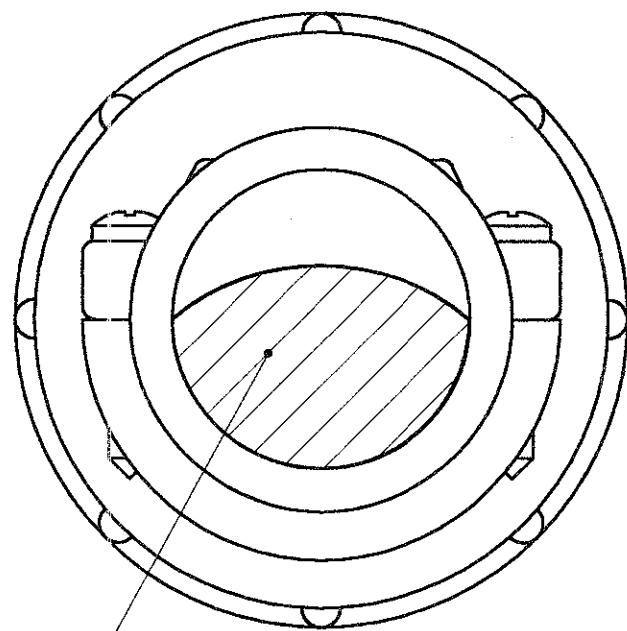


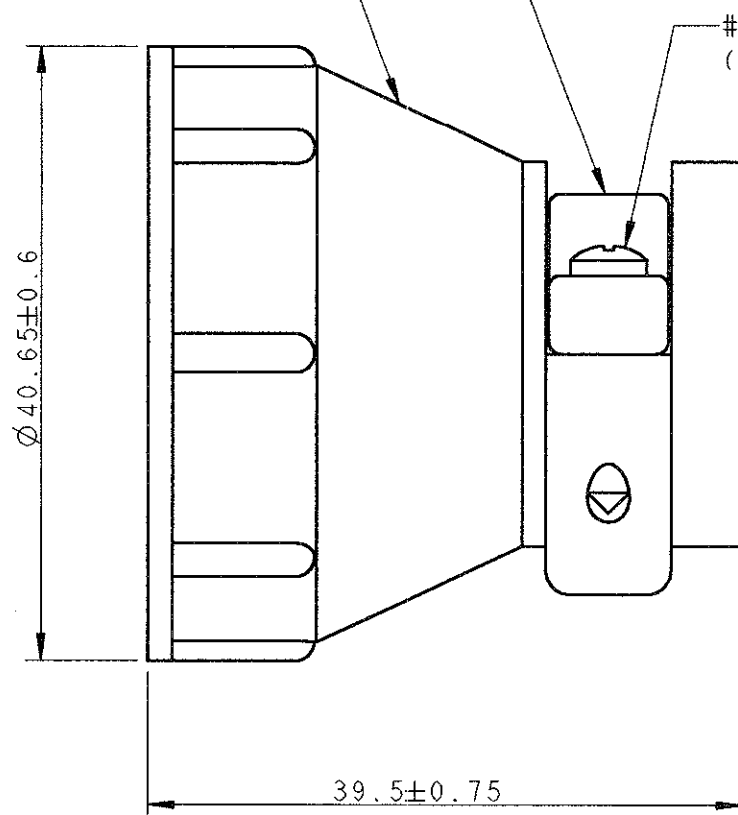
LOC	DIST	REVISIONS			
P	LTR	DESCRIPTION	DATE	DWN	APVD
		<b>C1</b> REVISED PER ECO-11-005140	31MAR11	RK	HMR



AREA SERRAGGIO CAVI  
(CLAMPING AREA) 3

INSERTO SERRACAVI  
(CLAMPING INSERT)

CORPO CORAZZA  
(CLAMPING INSERT)



#5-20 VITI AUTOFIETTANTI IN ACCIAIO ZINCATO (Q.TA' 2)  
(#5-20 SELF-TAPPING SCREWS, ZINC PLATED STEEL, Q.TY 2)

- 1) MATERIALE : TERMOPLASTICO, COLORE NERO  
(MATERIAL : THERMOPLASTIC, BLACK COLOUR)
- 2) PARTICOLARI FORNITI NON ASSEMBLATI IN SACCHETTO DI PLASTICA  
(PARTS PACKAGED UNASSEMBLED INTO A PLASTIC BAG)
- 3 L'AREA SERRAGGIO CAVI E' VARIABILE DA 64.5 A 264.5 mm<sup>2</sup>  
IN FUNZIONE DEL TIPO E POSIZIONE DELL'INSERTO SERRACAVO  
(CABLE CLAMPING AREA ADJUSTABLE FROM .100 TO .410 SQ. IN.  
BY SELECTING AND REVERSING CLAMPING INSERTS)
- 4) QUESTO CONNETTORE E' RICONOSCIUTO E CERTIFICATO   
(THIS CONNECTOR IS UL RECOGNIZED AND CSA CERTIFIED)
- 5) Ø MAX DEL FASCIO CAVI = 17.9 mm.  
(MAXIMUM CABLE O.D. = .703 IN.)

P/N 182652-1 COME RAPPRESENTATO  
(P/N 182652-1 AS SHOWN)

DWN R. FABRIZI 06DEC00		<b>STE</b> TE Connectivity	
CHK -			
APVD C. TARTARI		NAME C.P.C. CABLE CLAMP KIT	
PRODUCT SPEC 108-10024		SIZE A3	
APPLICATION SPEC		CAGE CODE 00779	
MATERIAL -		DRAWING NO C=182652	
FINISH -		SCALE 2:1	
CUSTOMER DRAWING		SHEET 1 OF 1	
		REV C1	

单击下面可查看定价，库存，交付和生命周期等信息

[>>TE Connectivity\(泰科\)](#)