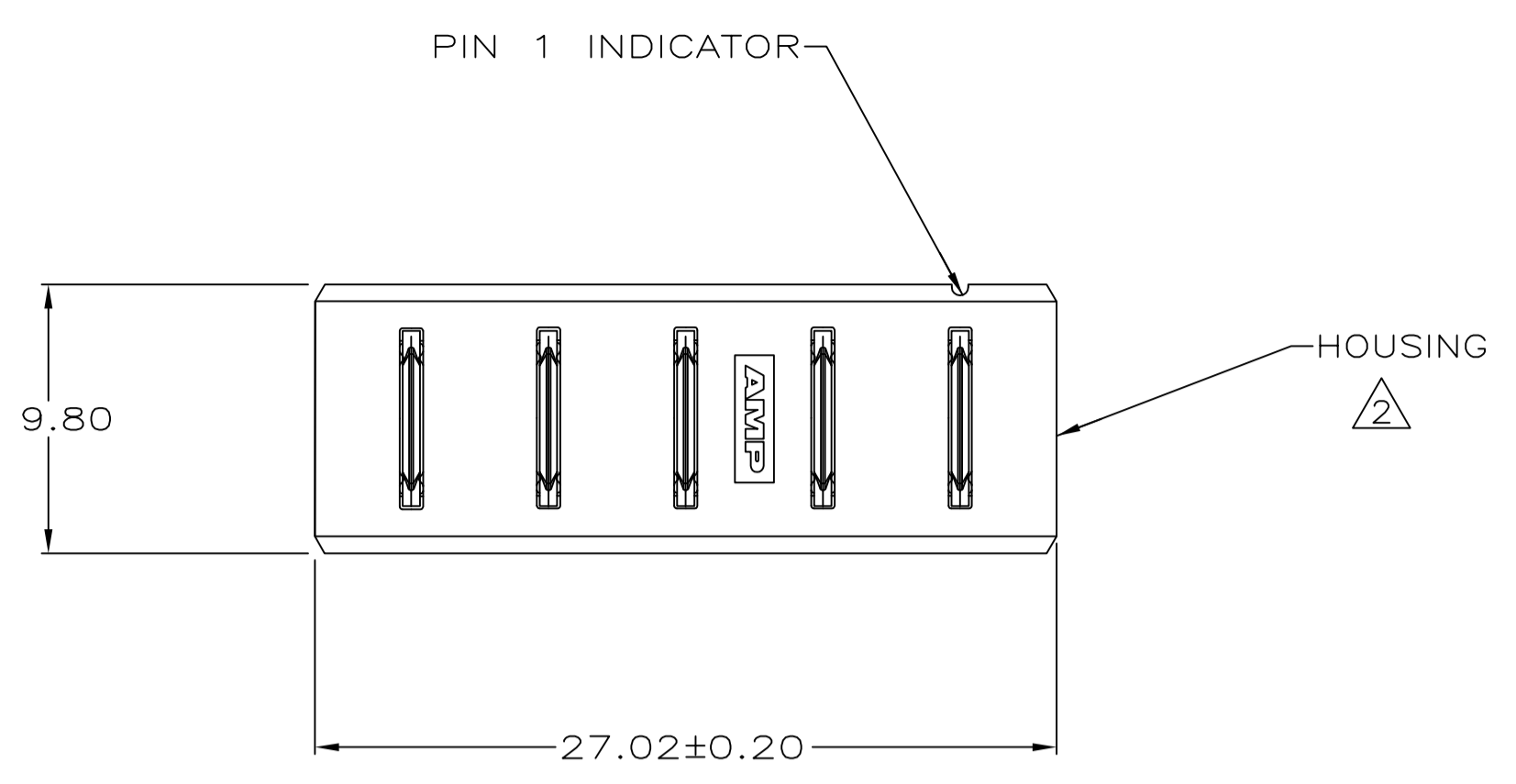
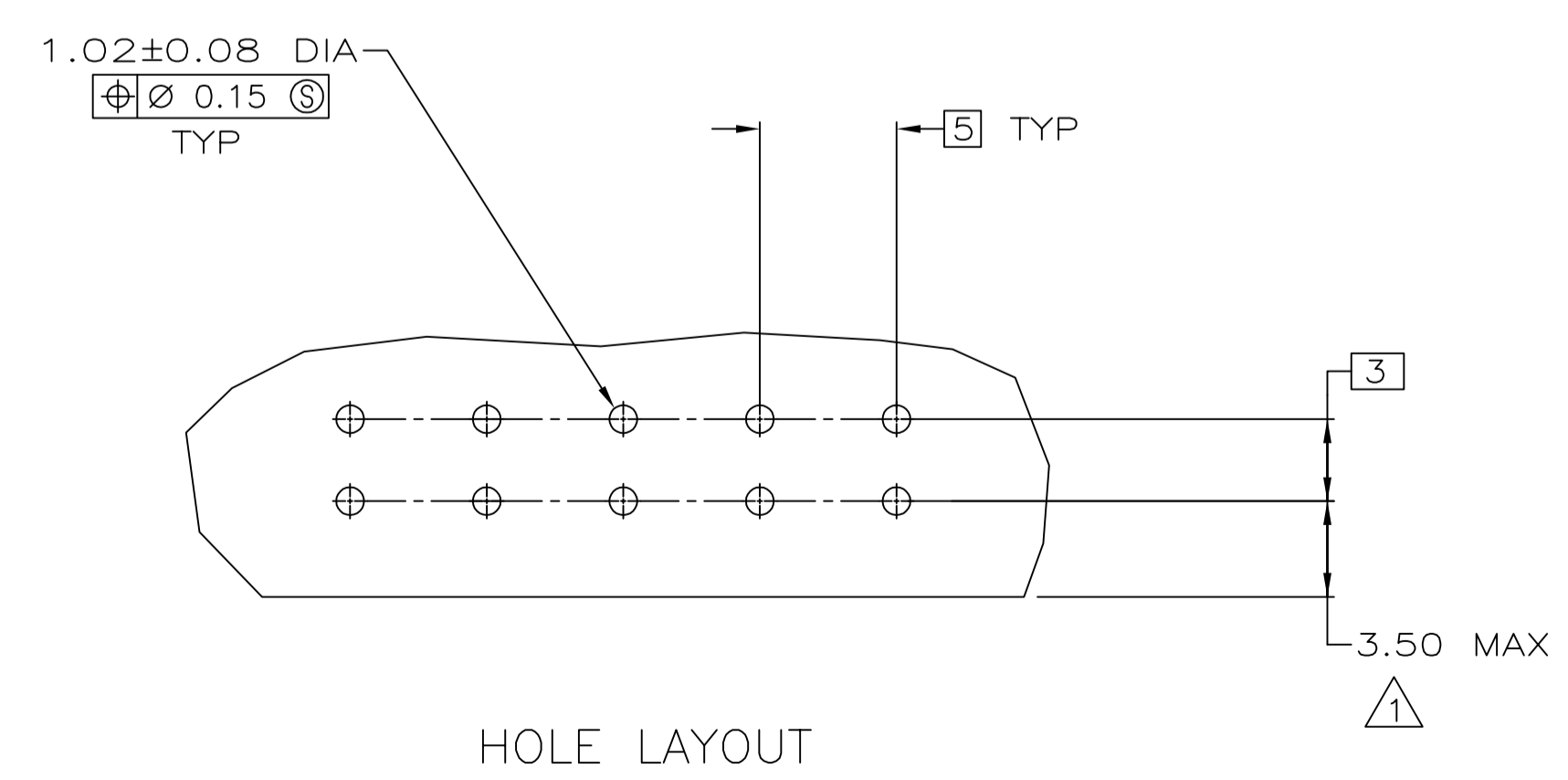
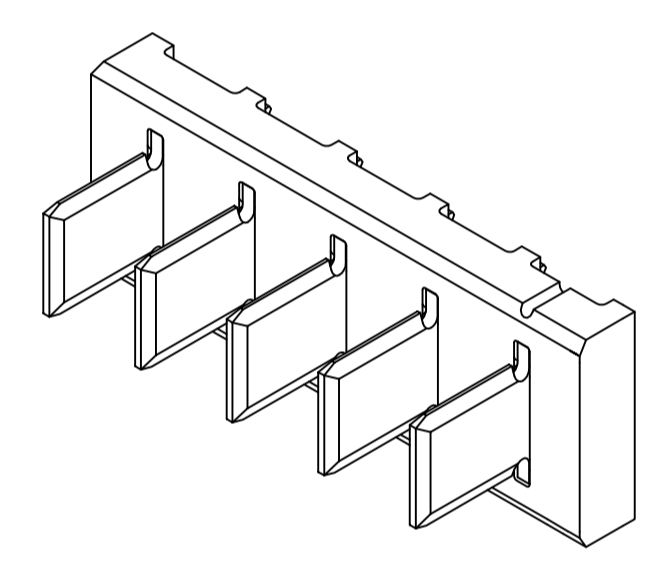
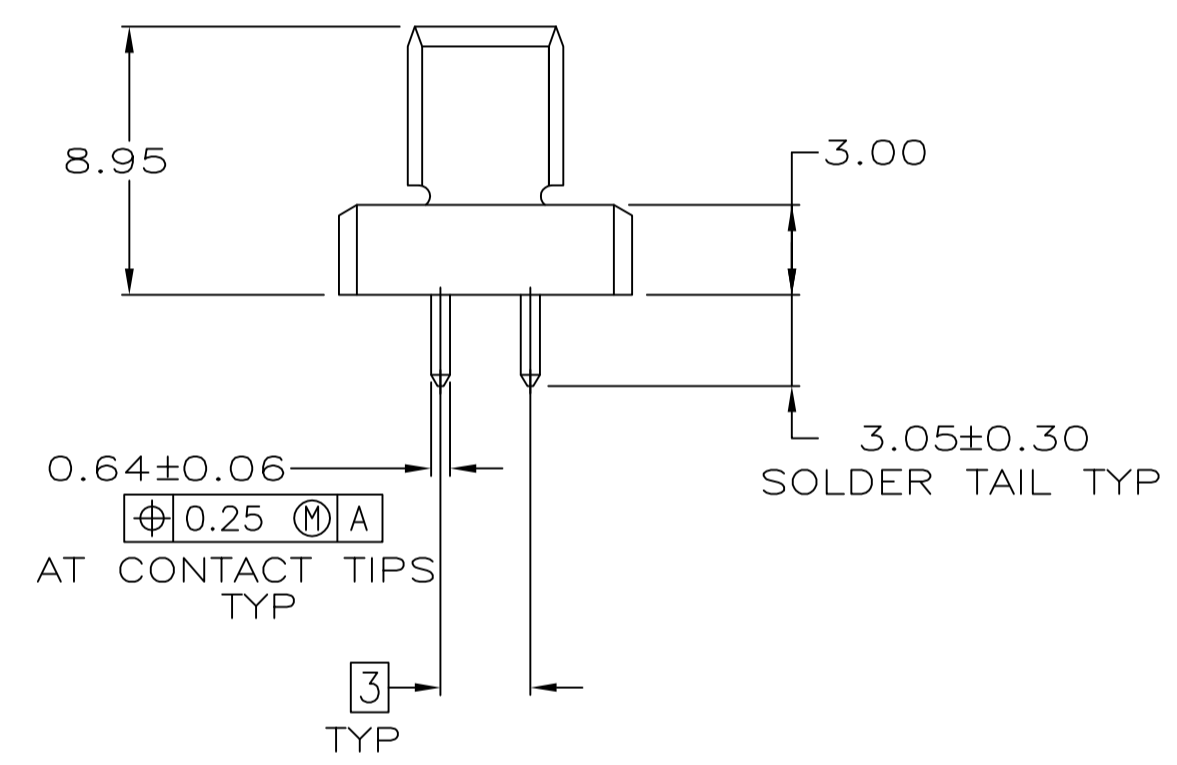
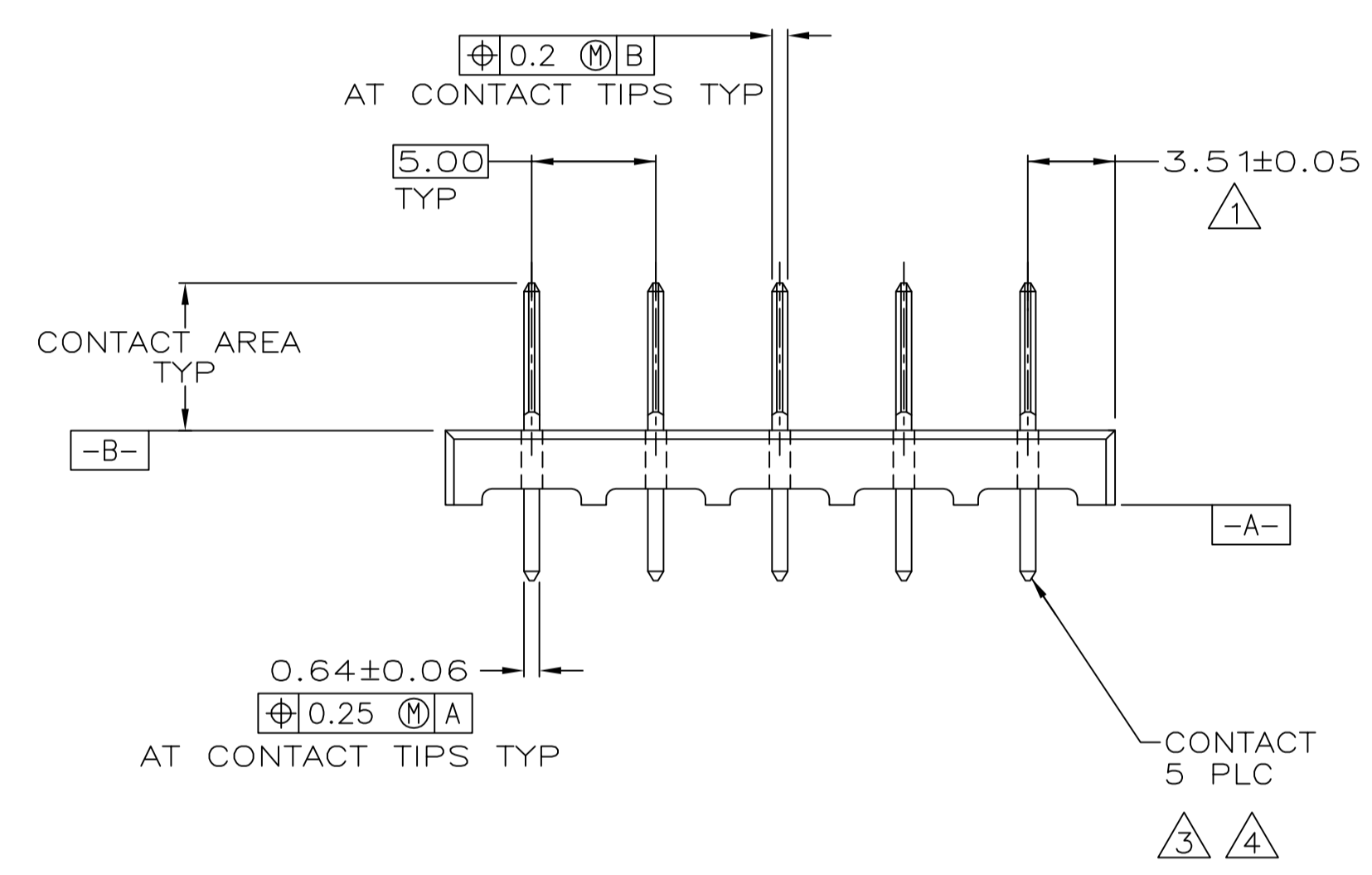


LOC	DIST	REVISIONS			
P	LTR	DESCRIPTION	DATE	DWN	APVD
0	RLSE -1 PER NPR 5307 WAS 95-2197-17-1	03-29-95	SK	SK	
A	REV PER EC 0020-0657-96	12/06/96	JR	RK	
B	REV PER EC 0410-0218-96	12/06/96	JR	RS	
C	ADDED -3 PER EC 0G1C-102-98	15 JUL 98	PB	GS	
E	REVISED PER ECR-10-002761	02/09/10	S.W	S.Y	
E1	REVISED PER ECR-14-009533	07/07/14	AP	JHA	



- △ COORDINATE DIMENSION APPLIES FROM CENTER OF ACTUAL FEATURE.
- △ HOUSING: POLYPHTHALAMIDE, COLOR BLACK.
- △ 2.54 μm MIN TIN-LEAD ON SOLDER TAIL OVER 1.90 μm MIN NICKEL ALL OVER.
- △ CONTACTS: BRASS



OBSOLETE SUBSIDIARY USE ONLY		TUBE	787444-3
SUPERCEDED BY 5787444-1		STANDARD	787444-1
		PACKAGING TYPE	PART NO
<small>THIS DRAWING IS A CONTROLLED DOCUMENT FOR AMP INCORPORATED. IT IS SUBJECT TO CHANGE AND THE CONTROLLING ENGINEERING ORGANIZATION SHOULD BE CONTACTED FOR THE LATEST REVISION.</small>		DWN: S.KLINE 03-29-95 CHK: S.KLINE 03-30-95 APVD: S.KLINE 03-30-95	STE TE Connectivity
DIMENSIONS: mm 0 PLC ± 1 PLC ± 2 PLC ±0.13 3 PLC ± 4 PLC ± ANGLE ± FINISH ±	TOLERANCES UNLESS OTHERWISE SPECIFIED: 0 PLC ± 1 PLC ± 2 PLC ±0.13 3 PLC ± 4 PLC ± ANGLE ± FINISH ±	NAME: HEADER ASSEMBLY, VERTICAL, KEYLESS, 5mmℓ, 5 POSN. APPLICATION SPEC: 108-1501 SIZE: 114-24005	DRAWING NO: C-787444 SCALE: 4:1 SHEET 1 OF 1 REV 1
MATERIAL: SEE CALLOUTS	FINISH: SEE CALLOUTS	WEIGHT: -	CUSTOMER DRAWING

单击下面可查看定价，库存，交付和生命周期等信息

[>>TE Connectivity\(泰科\)](#)