

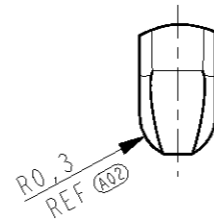
THIS DRAWING IS UNPUBLISHED. RELEASED FOR PUBLICATION

© COPYRIGHT - BY - ALL RIGHTS RESERVED.

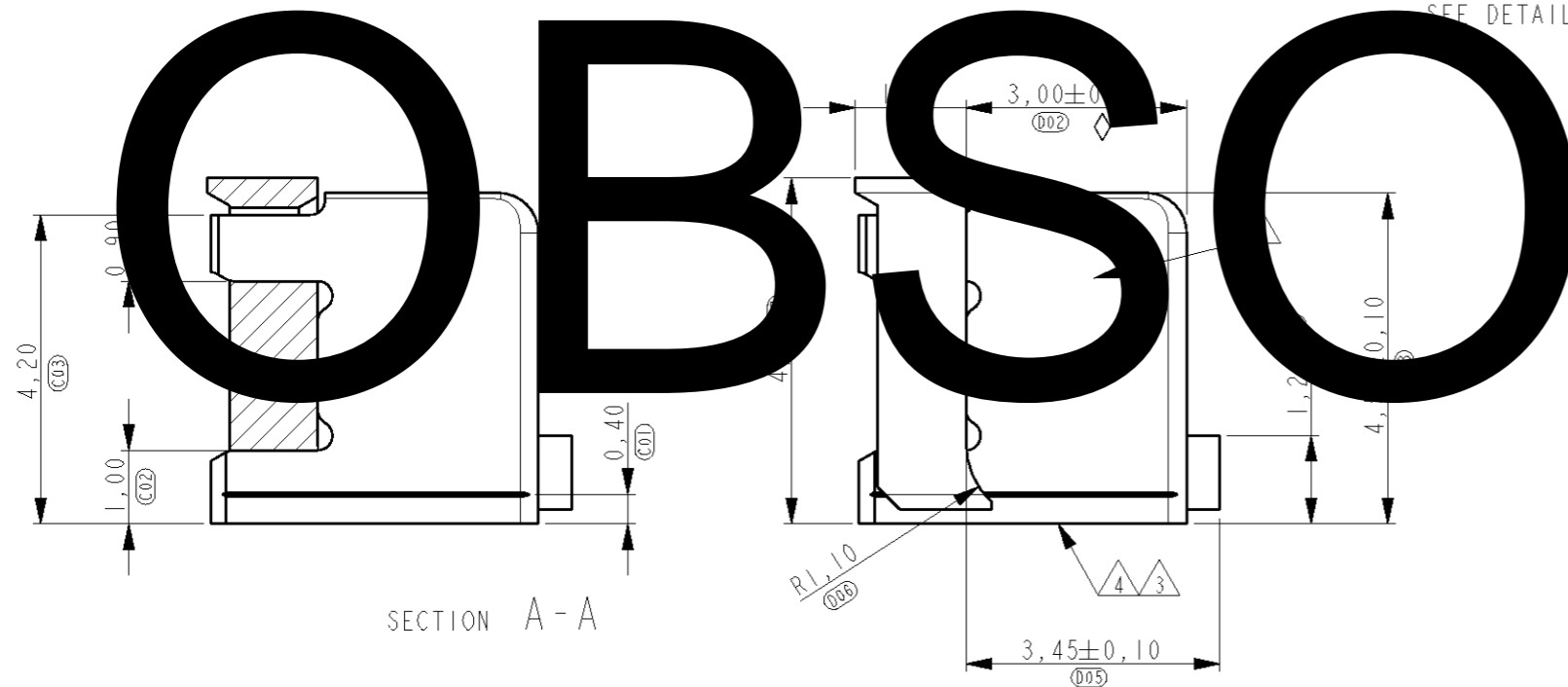
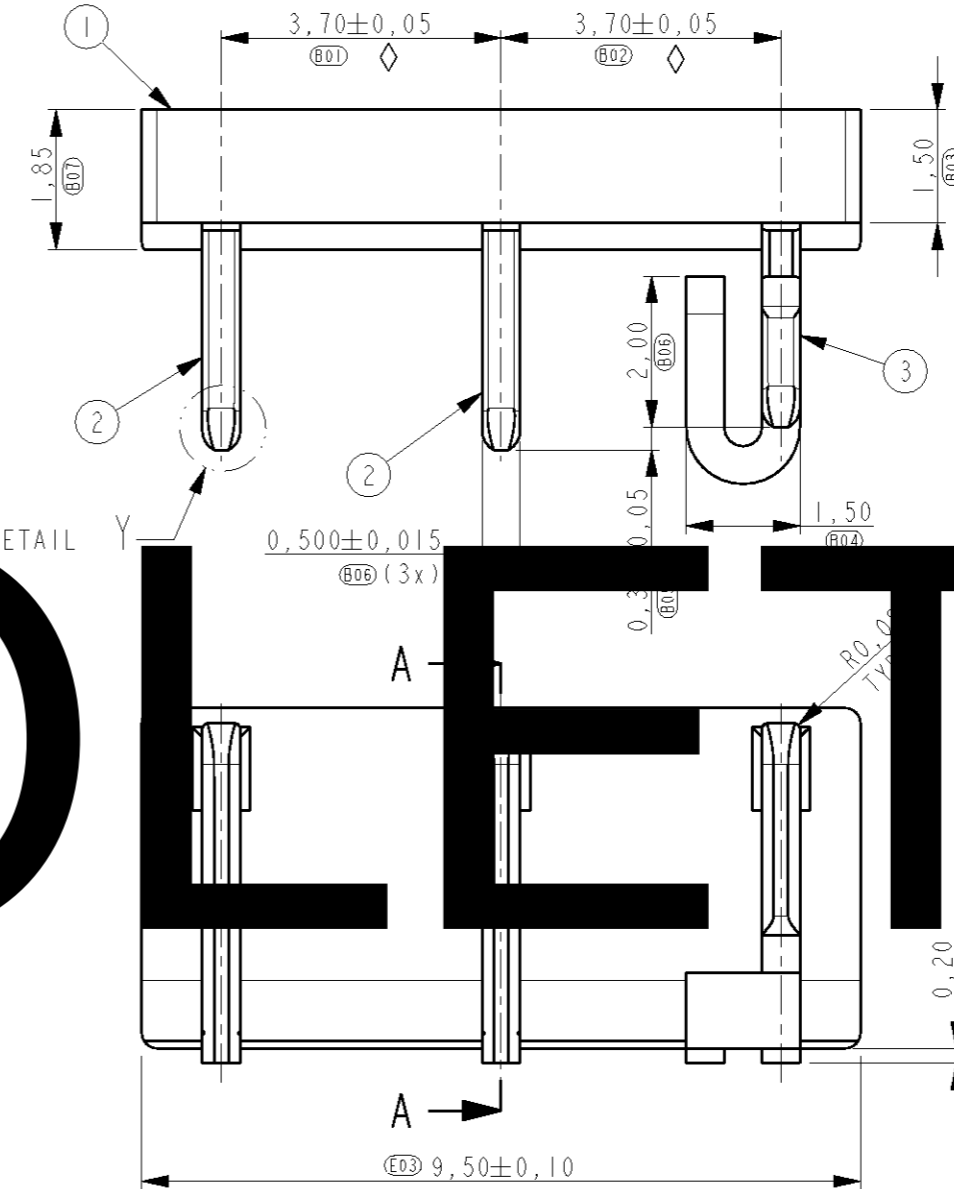
LOC	DIST	REVISIONS			
P	LTR	DESCRIPTION	DATE	DWN	APVD
H	-	A	ECR-11-018091	09SEP2011	PW DH
		A1	OBSOLETE	12OCT2019	K.G W.H

NOTES:

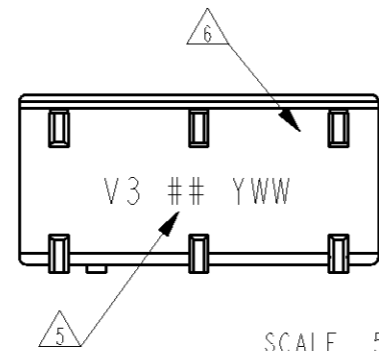
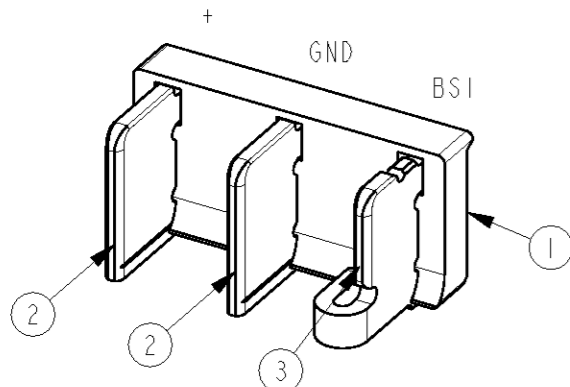
- 1 DRAWING REPRESENTS PART VERSION "V3".
- 2 TE PN 2-1551487-0, NMP CODE 54699K4.
- ◇ 3 PLATING:
1,2µm MIN. NICKEL ALL OVER
0,8µm MIN. GOLD ON CONTACT AREA
0,1 - 0,3µm GOLD ON SOLDER AREA
- ◇ 4 COPLANARITY OF SOLDER SURFACES 0,08 MAX.
- ◇ 5 MARKING: VERSION (V3), PROCESS ID (##),
PRODUCTION DATE (YWW, YEAR AND WEEK).
- ◇ 6 MARKING: CAVITY ID.



DETAIL Y (FOR REFERENCE ONLY) SCALE 20:1



SECTION A-A



SCALE 5:1

ITEM NO.	DESCRIPTION	MATERIAL	FINISH
3	CONTACT, FIRST BREAK	COPPER ALLOY	GOLD PLATED 3
2	CONTACT, LAST BREAK	COPPER ALLOY	GOLD PLATED 3
1	HOUSING	PLASTIC, GF	-

THIS DRAWING IS A CONTROLLED DOCUMENT.

DIMENSIONS:	TOLERANCES UNLESS OTHERWISE SPECIFIED:
mm	0 PLC ±-
	1 PLC ±0,2
	2 PLC ±0,1
	3 PLC ±-
	4 PLC ±-
	ANGLES ±-

MATERIAL	-	FINISH	-
----------	---	--------	---

DWN	P. Willems	03DEC2009
CHK	M. Gosselink	03DEC2009
APVD	D. Halberstadt	03DEC2009
PRODUCT SPEC	108-19276	
APPLICATION SPEC	114-19088	
WEIGHT	298 mg	

STE TE Connectivity

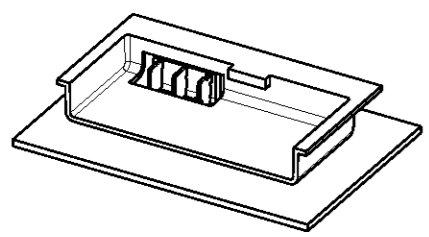
NAME: PLUG CONNECTOR 3 POSITION BATTERY BLOCK

SIZE	CAGE CODE	DRAWING NO	RESTRICTED TO
A3	00779	C=1551487	-

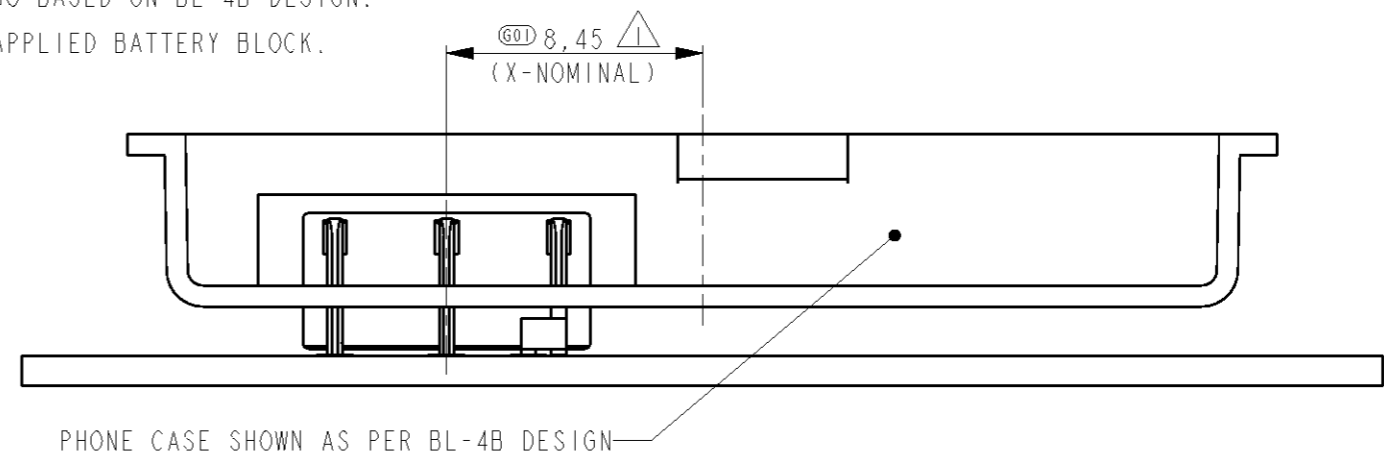
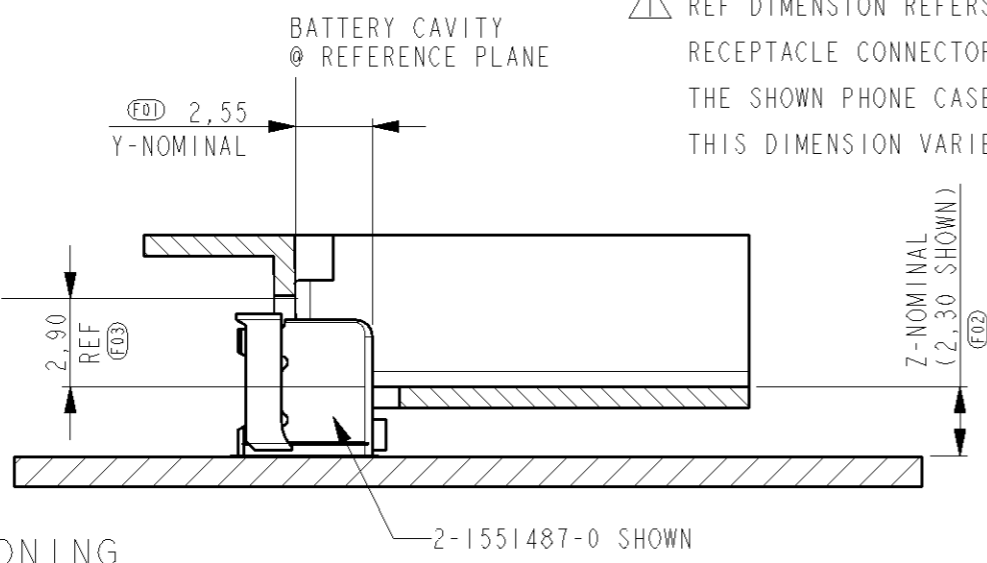
CUSTOMER DRAWING SCALE 10:1 SHEET 1 OF 4 REV A1

THIS DRAWING IS UNPUBLISHED. RELEASED FOR PUBLICATION
 © COPYRIGHT - BY - ALL RIGHTS RESERVED.

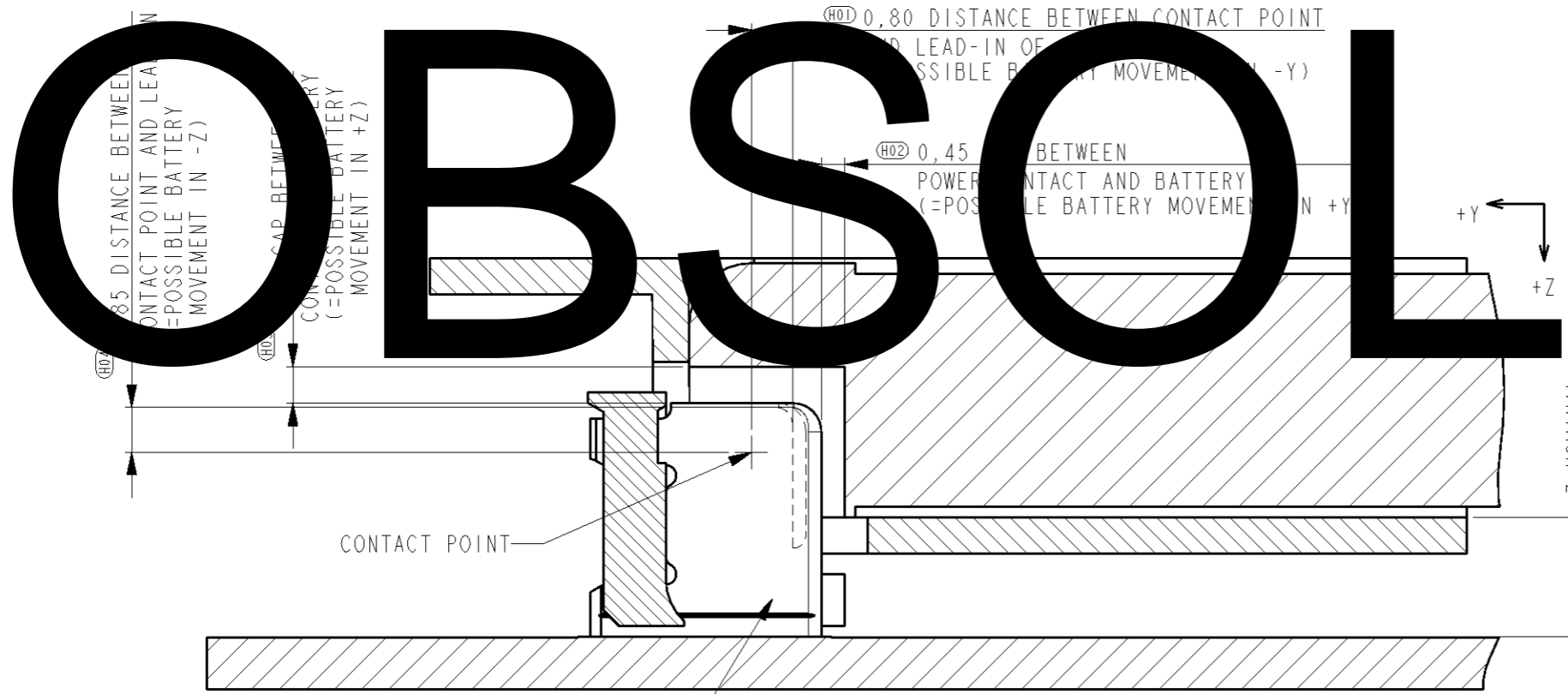
LOC	DIST	REVISIONS			
P	LTR	DESCRIPTION	DATE	DWN	APVD
H	-	SEE SHEET 1	-	-	-



NOTES:
 REF DIMENSION REFERS TO DIMENSION B05 FROM BL-4B RECEPTACLE CONNECTOR 1705714-1.
 THE SHOWN PHONE CASE IS ALSO BASED ON BL-4B DESIGN.
 THIS DIMENSION VARIES PER APPLIED BATTERY BLOCK.



CONNECTOR POSITIONING



WORKING RANGE:
 (PERMITTED BATTERY MOVEMENT)
 IN X-DIRECTION ±0,50 SYMMETRIC
 IN Y-DIRECTION 1,25 TOTAL
 IN -Y-DIRECTION 0,80
 IN +Y-DIRECTION 0,45
 (ASSEMBLY TOLERANCE, PHONE FLEXIBILITY)
 IN Z-DIRECTION 1,55 TOTAL
 IN -Z-DIRECTION 0,85
 IN +Z-DIRECTION 0,70
 (PHONE CASE TOLERANCE, PHONE FLEXIBILITY)
 THESE VALUES APPLY IF Z-NOMINAL IS IN THE CENTER OF THE RANGE SPECIFIED FOR THE PLUG (AS SHOWN HERE).

WORKING RANGE

PART NUMBER	Z-NOMINAL RANGE
2-1551487-0	>2,0 (2,1 - 2,5)

SCALE 8:1

THIS DRAWING IS A CONTROLLED DOCUMENT.		DWN P.Willems 03DEC2009		TE Connectivity	
DIMENSIONS: mm		CHK M.Gosselink 03DEC2009			
TOLERANCES UNLESS OTHERWISE SPECIFIED:		APVD D.Halberstadt 03DEC2009		NAME	
0 PLC ±-		PRODUCT SPEC		PLUG CONNECTOR	
1 PLC ±0,2		108-19276		3 POSITION	
2 PLC ±0,1		APPLICATION SPEC		BATTERY BLOCK	
3 PLC ±-		114-19088		SIZE	
4 PLC ±-		WEIGHT		CAGE CODE	
ANGLES ±-		298 mg		DRAWING NO	
MATERIAL -		CUSTOMER DRAWING		RESTRICTED TO	
FINISH -		SCALE 10:1		SHEET 2 OF 4	
				REV A1	

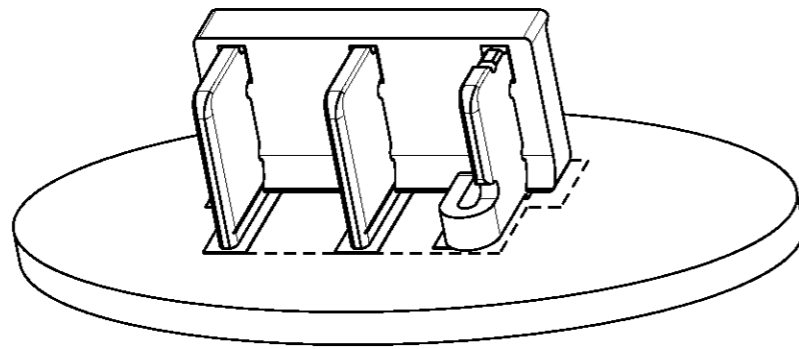
THIS DRAWING IS UNPUBLISHED.

RELEASED FOR PUBLICATION

© COPYRIGHT - BY -

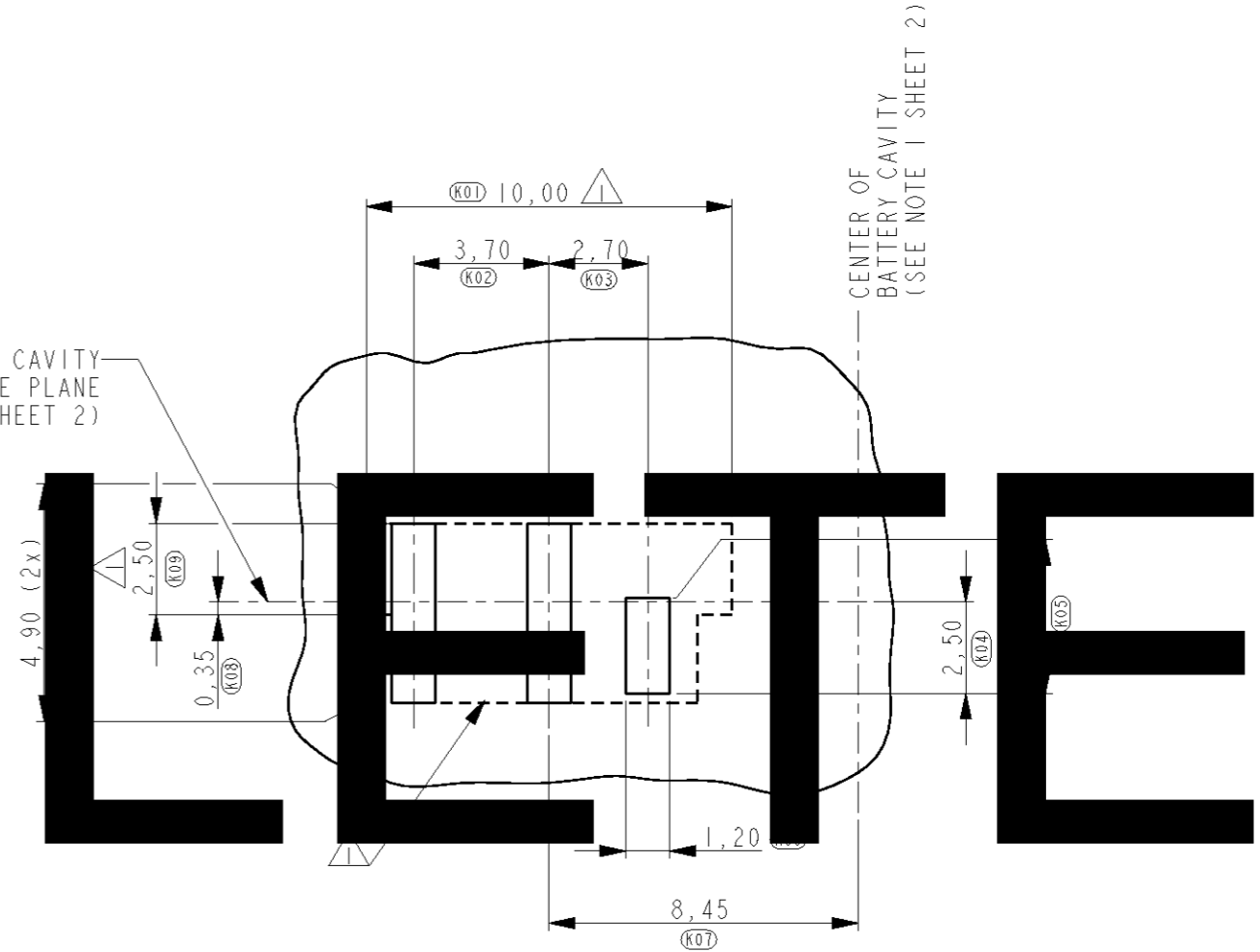
ALL RIGHTS RESERVED.

LOC	DIST	REVISIONS			
P	LTR	DESCRIPTION	DATE	DWN	APVD
H	-	SEE SHEET 1	-	-	-




OBSOLETE

BATTERY CAVITY REFERENCE PLANE (SEE SHEET 2)



NOTES:

△ AREA FREE OF SOLDER SCREEN.

THIS DRAWING IS A CONTROLLED DOCUMENT.		DWN P. Willems 03DEC2009	 TE Connectivity	
DIMENSIONS: mm		CHK M. Gosselink 03DEC2009		
TOLERANCES UNLESS OTHERWISE SPECIFIED:		APVD D. Halberstadt 03DEC2009	NAME PLUG CONNECTOR 3 POSITION BATTERY BLOCK	
0 PLC ±- 1 PLC ±0,2 2 PLC ±0,1 3 PLC ±- 4 PLC ±- ANGLES ±-		PRODUCT SPEC 108-19276	RESTRICTED TO	
MATERIAL -		FINISH -	APPLICATION SPEC 114-19088	SIZE A3
		WEIGHT 298 mg	CAGE CODE 00779	DRAWING NO C=1551487
		CUSTOMER DRAWING	SCALE 10:1	SHEET 3 OF 4
				REV A1

THIS DRAWING IS UNPUBLISHED.

RELEASED FOR PUBLICATION

© COPYRIGHT - BY -

ALL RIGHTS RESERVED.

LOC
H

DIST
-

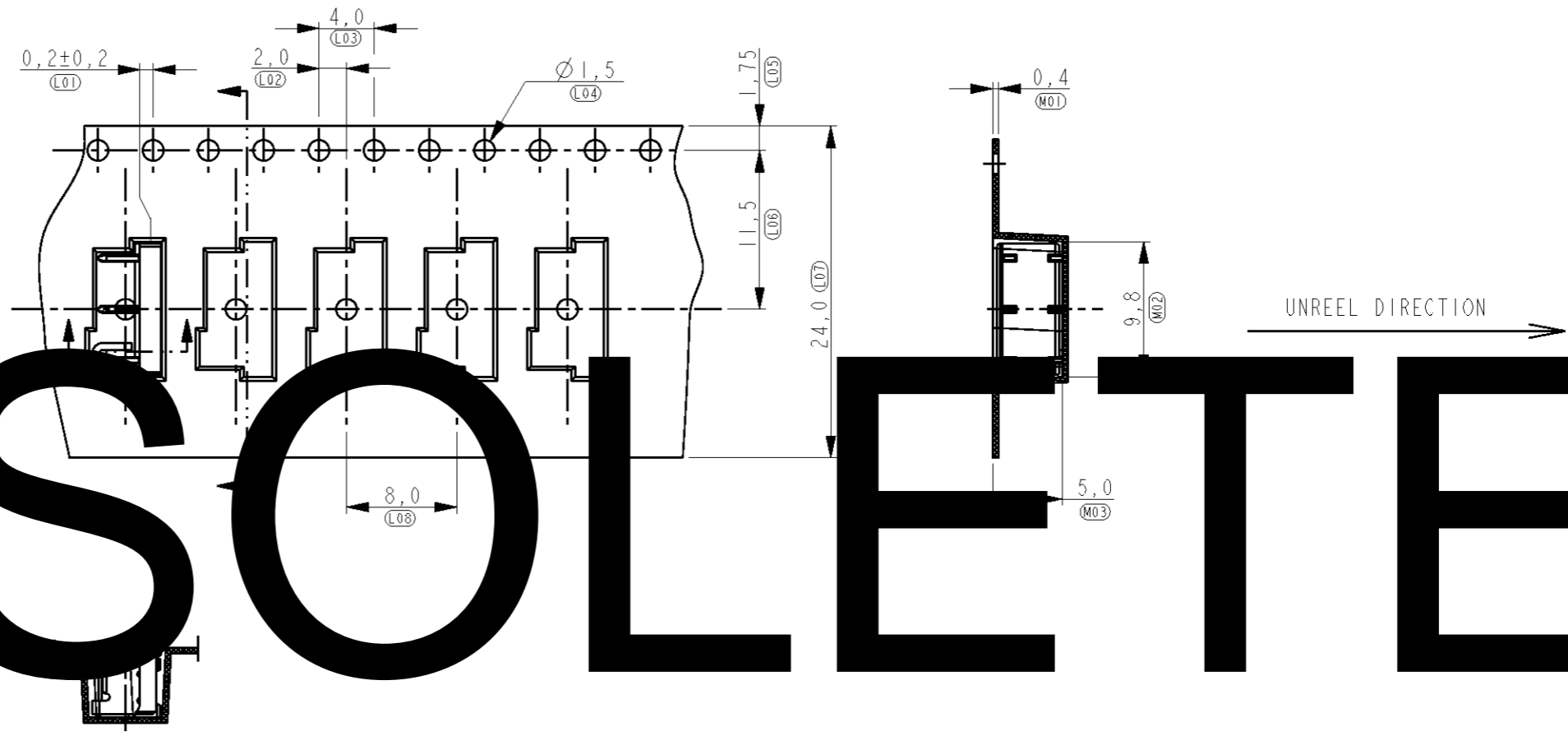
REVISIONS

P	LTR	DESCRIPTION	DATE	DWN	APVD
-	-	SEE SHEET 1	-	-	-


PART NUMBER	QUANTITY PER REEL
2-1551587-0	1500

NOTES:

1 REEL DIMENSION: 330x101x24,4.



OBSOLETE

THIS DRAWING IS A CONTROLLED DOCUMENT.		DWN P. Willems 03DEC2009	 TE Connectivity		
DIMENSIONS: mm		CHK M. Gosselink 03DEC2009			
TOLERANCES UNLESS OTHERWISE SPECIFIED:		APVD D. Halberstadt 03DEC2009	NAME PLUG CONNECTOR 3 POSITION BATTERY BLOCK		
0 PLC ±- 1 PLC ±0,2 2 PLC ±0,1 3 PLC ±- 4 PLC ±- ANGLES ±-		PRODUCT SPEC 108-19276	RESTRICTED TO		
MATERIAL -		APPLICATION SPEC 114-19088	SIZE A3	CAGE CODE 00779	DRAWING NO C=1551487
FINISH -		WEIGHT 298 mg	SCALE 10:1		
		CUSTOMER DRAWING		SHEET 4 OF 4	REV A1

单击下面可查看定价，库存，交付和生命周期等信息

[>>TE Connectivity\(泰科\)](#)