

AMP-J
REV.10/78

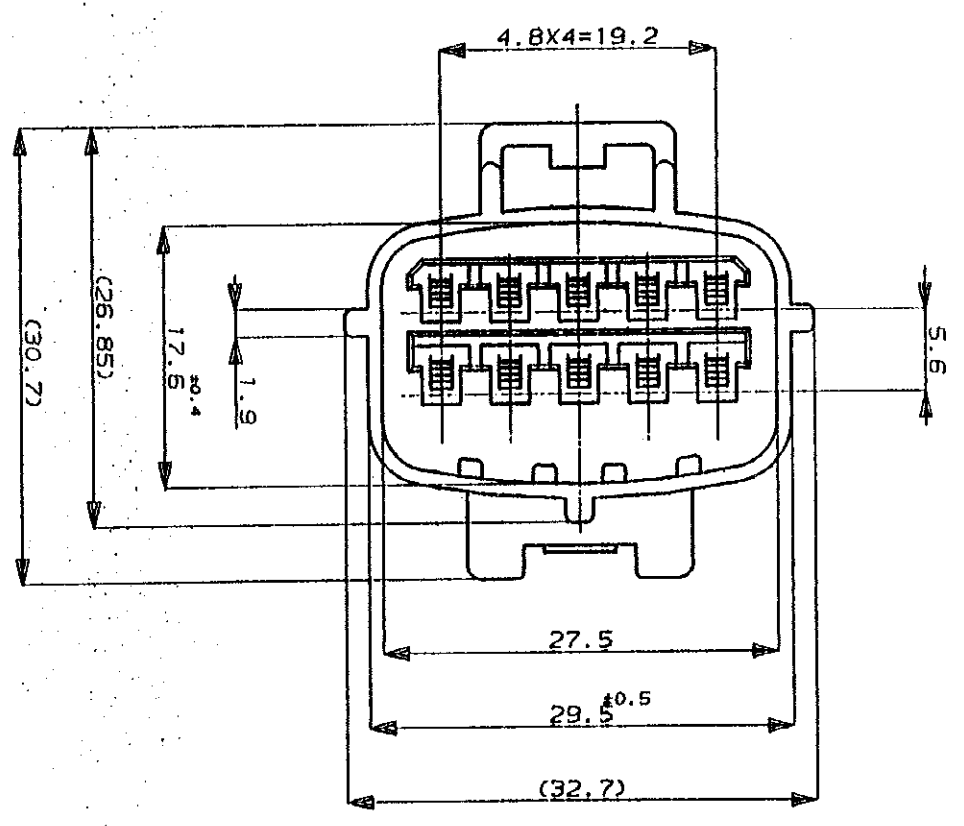
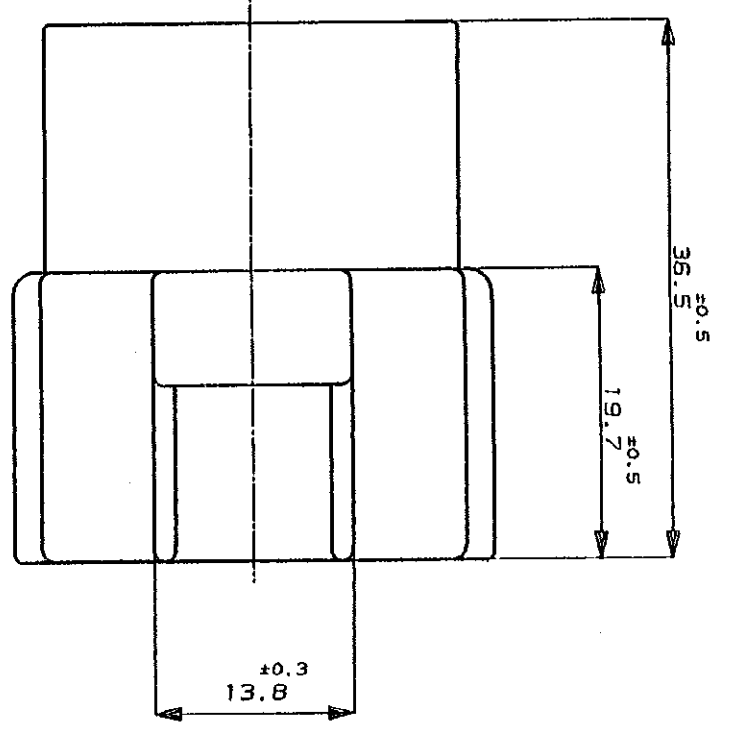
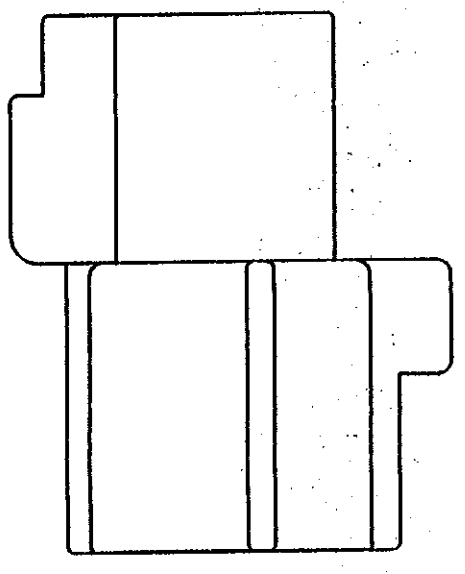
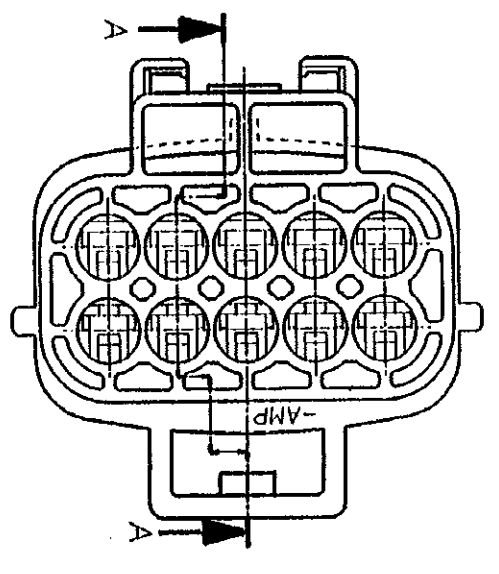
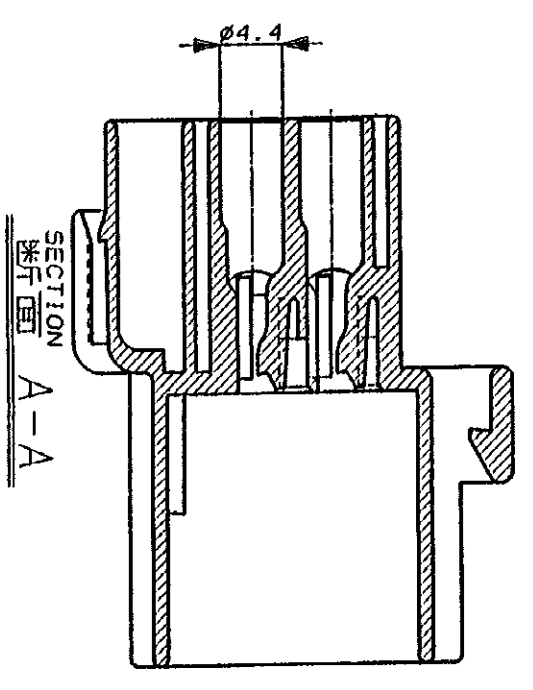
PRINT DIST

E16583>U.CAD>U.MAZDA>U.10P>S.C-CAP
DIMENSIONS IN MILLIMETERS. DO NOT SCALE PRINT

METRIC

3rd ANGLE PROJECTION

NUMBER
C-174657



LTR	REVISION RECORD	DR	CHK	DATE
0	作成 RELEASED	YF	TS	7/17/88
A	変更 REVISED J-10135	TS	MT	5/22/89
B	変更 REVISED J-10986	GS	MO	8/11/89

UTRS-RANGE	INSULATION DIA	NAME
mm ² (AUG)	mm ²	TOP-ECONOSEAL J-MARKII [®] CONNECTOR
MATERIAL	FINISH	SIZE
PBT	黒	A3
DR. K. Oka	DE. K. Oka	LOC
7/9/87	11/14/88	J
CHK. <i>[Signature]</i>	APP. <i>[Signature]</i>	NUMBER
		C-174657

© 1987 BY AMP (Japan) LTD.
ALL RIGHTS RESERVED. BY PATENTS
AND OR PATENTS PENDING

AMP
AMP (JAPAN) LTD.
Tokyo, Japan

10極 エコノミール J-マークII[®] CAP HOUSING

GENERAL TOLERANCE
0<k< 10 : ±0.2
10<k< 30 : ±0.25
30<k< 100 : ±0.3
ANGLES : ±3°

SCALE 2:1
REV. B
SHEET 1 OF 1

注：
1 かん合相手型番：174655
2 本品はダブルロックプレート P/N 174658を装着して使用する

NOTE：
1 FOR PLUG HOUSING (P/N174655)
2 THIS PART MUST BE USED WITH DOUBLE LOCK PLATE (P/N174658)

CUSTOMER DRAWING

-2 AS SHOWN

单击下面可查看定价，库存，交付和生命周期等信息

[>>TE Connectivity\(泰科\)](#)