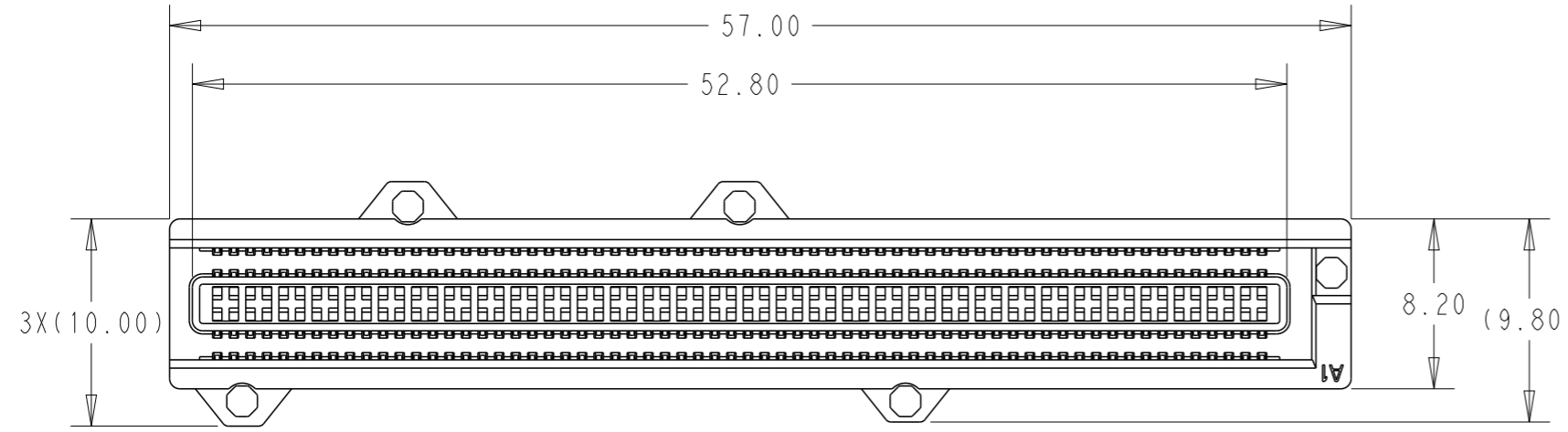
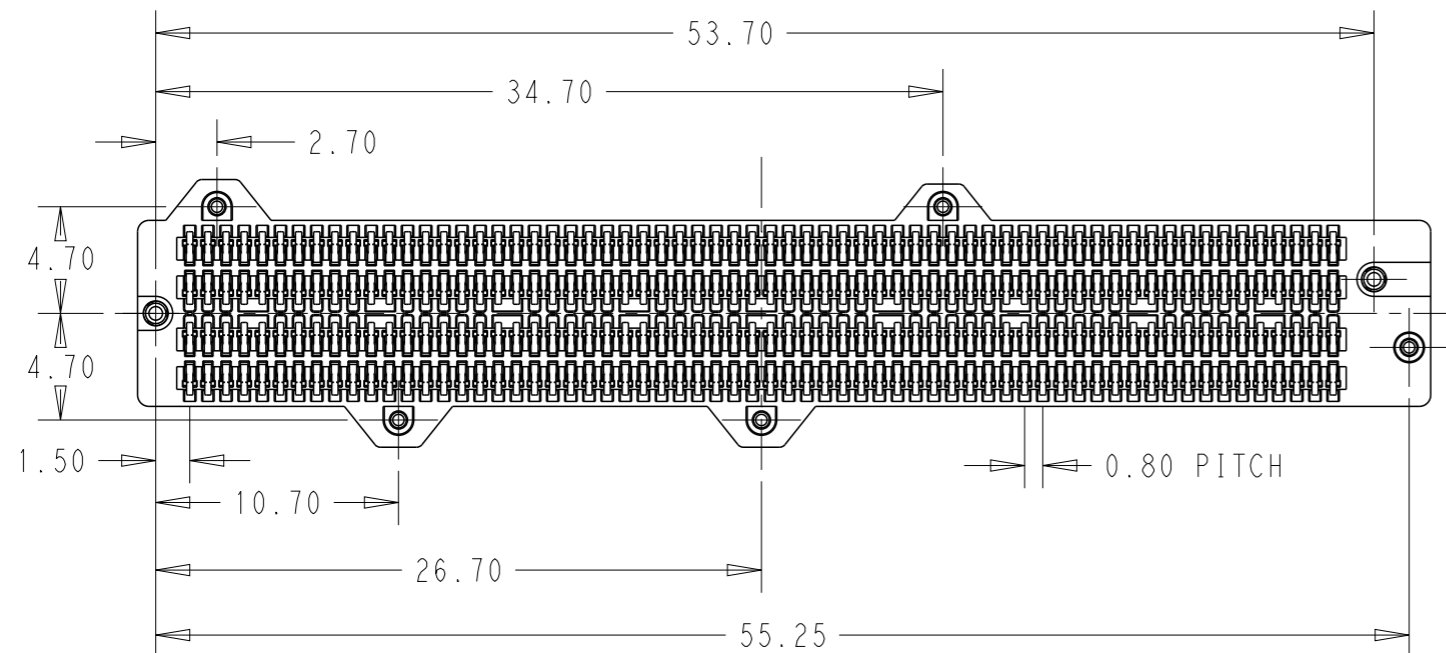
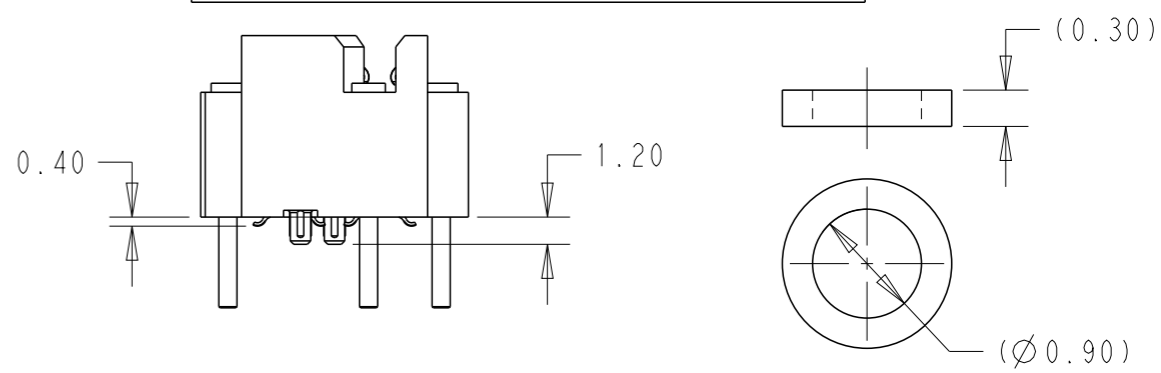
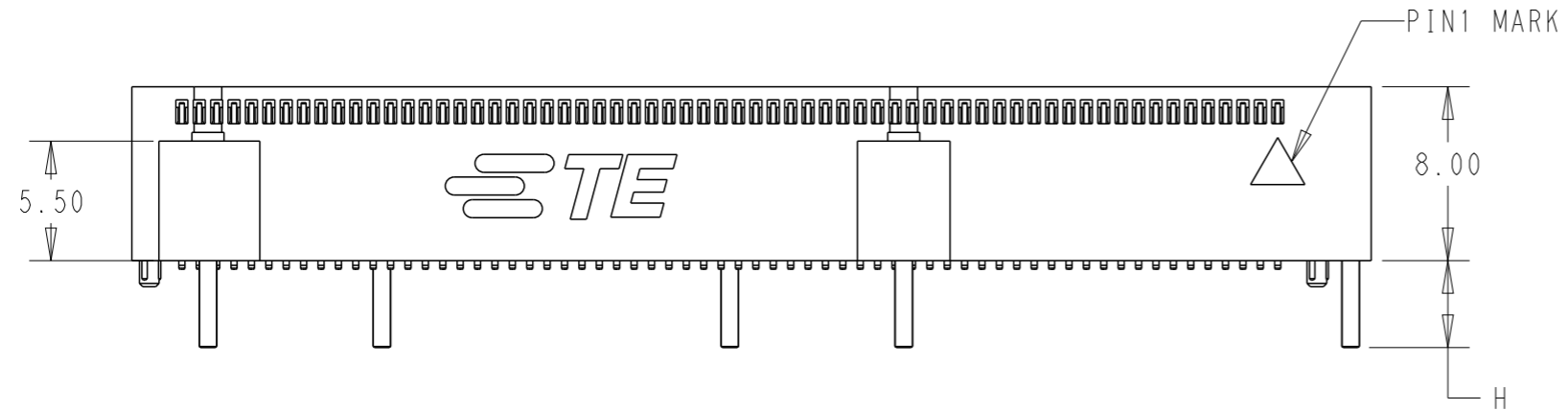


P	LTR	DESCRIPTION	DATE	DWN	APVD
1		DRAWN	01APR2022	A.L	H.L
2		RIVET ADD BRASS OPTION	14DEC2022	AL	HL
3		WASHER DEFINE DIA 1.4	23MAY2023	A.L	H.L
5		RIVET HOLE ENHANCE	08AUG2023	A.L	H.L



DESIGN APPROVED THIS PRINT IS  
**PRELIMINARY**  
 TO FIRST PIECE APPROVAL  
 CONTACT PRODUCT ENGINEERING  
 BEFORE USING THIS PRINT

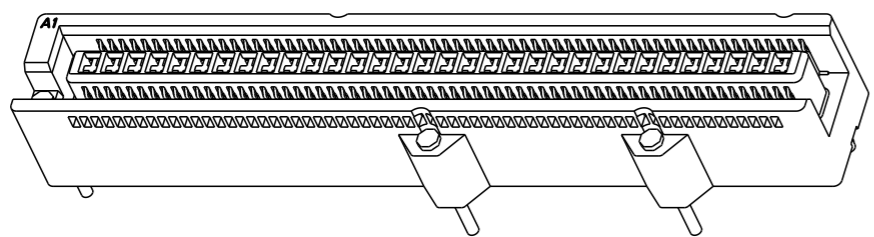


NOTES;

SCALE 16:1  
 WASHER

- 1, MATERIAL  
 HOUSING : HIGH TEMP THERMO PLASTIC  
 CONTACT : COPPER ALLOY  
 RIVET : STAINLESS STEEL OR BRASS  
 WASHER : STAINLESS STEEL
- 2, FINISH  
 MATING ZONE : GOLD PLATED MEET THE PERFORMANCE REQUIREMENTS  
 UNDERPLATING : NICKEL

3.0±0.3	4.00	2411098-3
7.4±0.3	8.40	2411098-2
6.2±0.3	7.20	2411098-1
APPLICABLE BOARD THK	DIM: H	P/N



SCALE 2:1

THIS DRAWING IS A CONTROLLED DOCUMENT.		DWN A.L	01APR2022	TE Connectivity NAME LIF REC CONNECTOR - 256POS, 5 RIVETS, WITH POST	
DIMENSIONS: mm		CHK A.L	01APR2022		
TOLERANCES UNLESS OTHERWISE SPECIFIED:		APVD H.L	01APR2022		
0 PLC ±- 1 PLC ±0.2 2 PLC ±0.10 3 PLC ±0.050 4 PLC ±0.02 ANGLES ±3°		PRODUCT SPEC 108-160460	APPLICATION SPEC -		
MATERIAL - SEE NOTES	FINISH - SEE NOTES	WEIGHT -	CUSTOMER DRAWING	SIZE A3	CAGE CODE 00779
		DRAWING NO C-2411098		RESTRICTED TO -	
		SCALE 36:1		SHEET 1 OF 2	REV 5

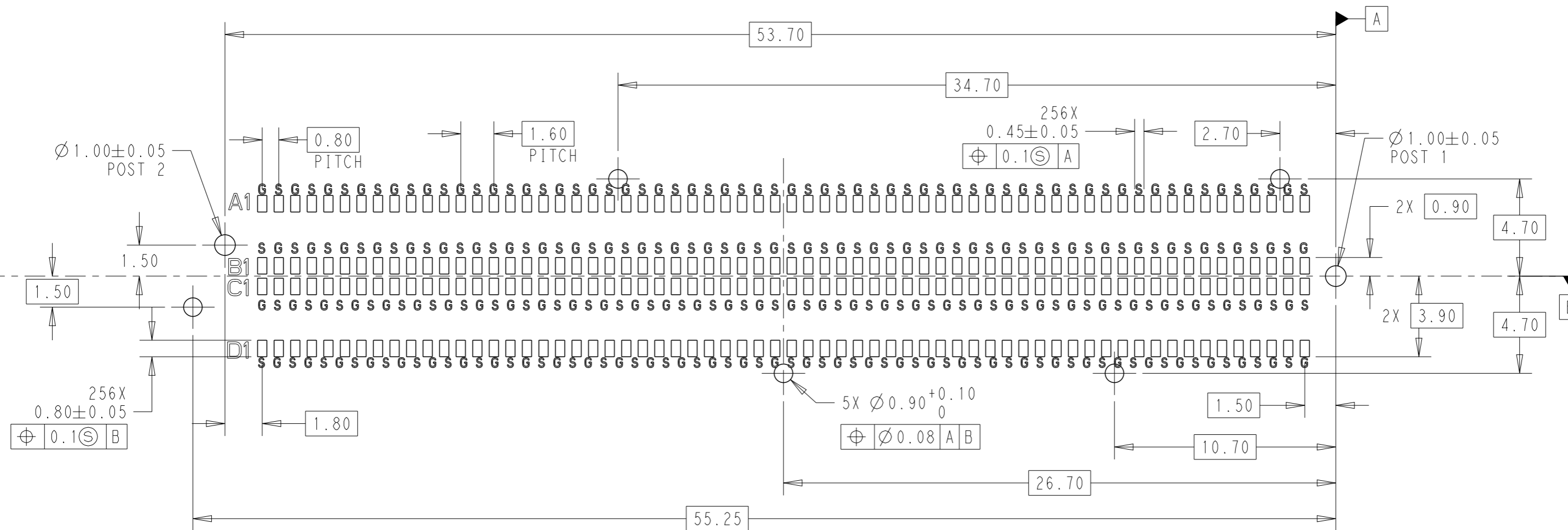
DESIGN APPROVED THIS PRINT IS

# PRELIMINARY

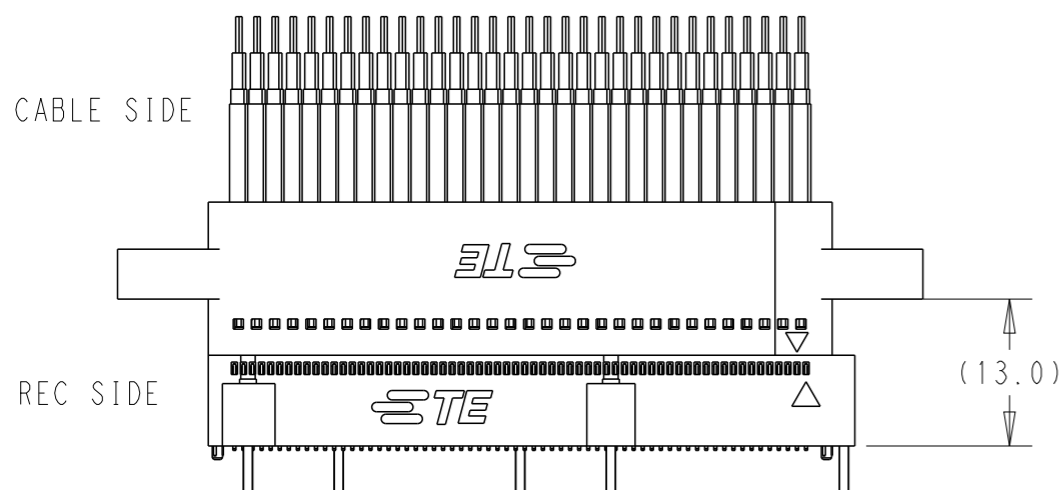
TO FIRST PIECE APPROVAL  
CONTACT PRODUCT ENGINEERING  
BEFORE USING THIS PRINT

### REVISIONS

P	LTR	DESCRIPTION	DATE	DWN	APVD
-	-	SEE SHEET 1	-	-	-



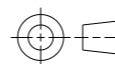
SCALE 5:1  
RECOMMEND PCB LAYOUT  
G: GROUND  
S: SIGNAL



SCALE 3:2  
FULL-MATED CONDITION

THIS DRAWING IS A CONTROLLED DOCUMENT.

DIMENSIONS:  
mm



TOLERANCES UNLESS OTHERWISE SPECIFIED:  
0 PLC ±.  
1 PLC ±0.2  
2 PLC ±0.10  
3 PLC ±0.050  
4 PLC ±0.02  
ANGLES ±3°

MATERIAL  
SEE NOTES

FINISH  
SEE NOTES

DWN A.L 01APR2022  
CHK A.L 01APR2022  
APVD H.L 01APR2022

PRODUCT SPEC 108-160460  
APPLICATION SPEC -

WEIGHT -  
CUSTOMER DRAWING

NAME LIF REC CONNECTOR  
- 256POS, 5 RIVETS, WITH POST

SIZE A3 CAGE CODE 00779 DRAWING NO. C-2411098 RESTRICTED TO -

SCALE 36:1 SHEET 2 OF 2 REV 5



单击下面可查看定价，库存，交付和生命周期等信息

[>>TE Connectivity\(泰科\)](#)