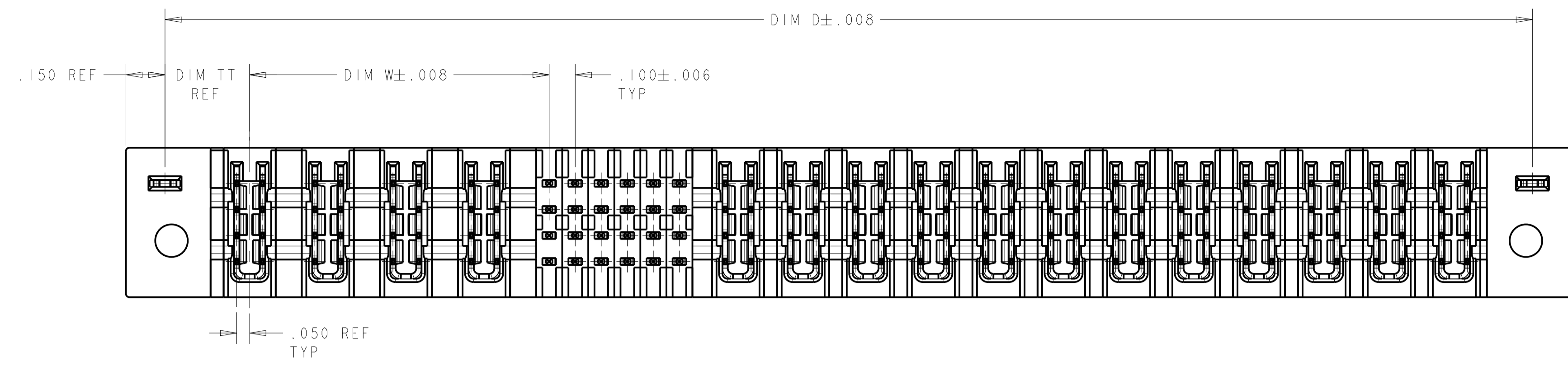
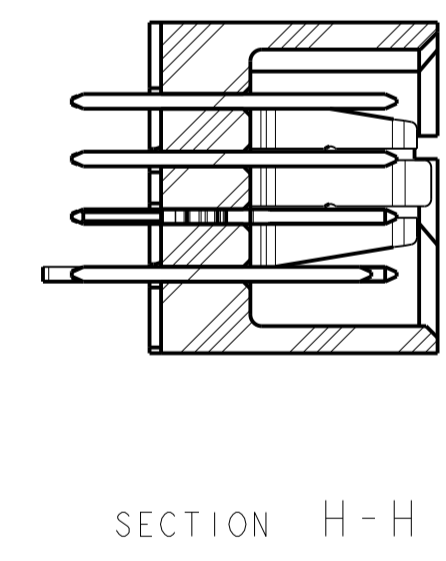
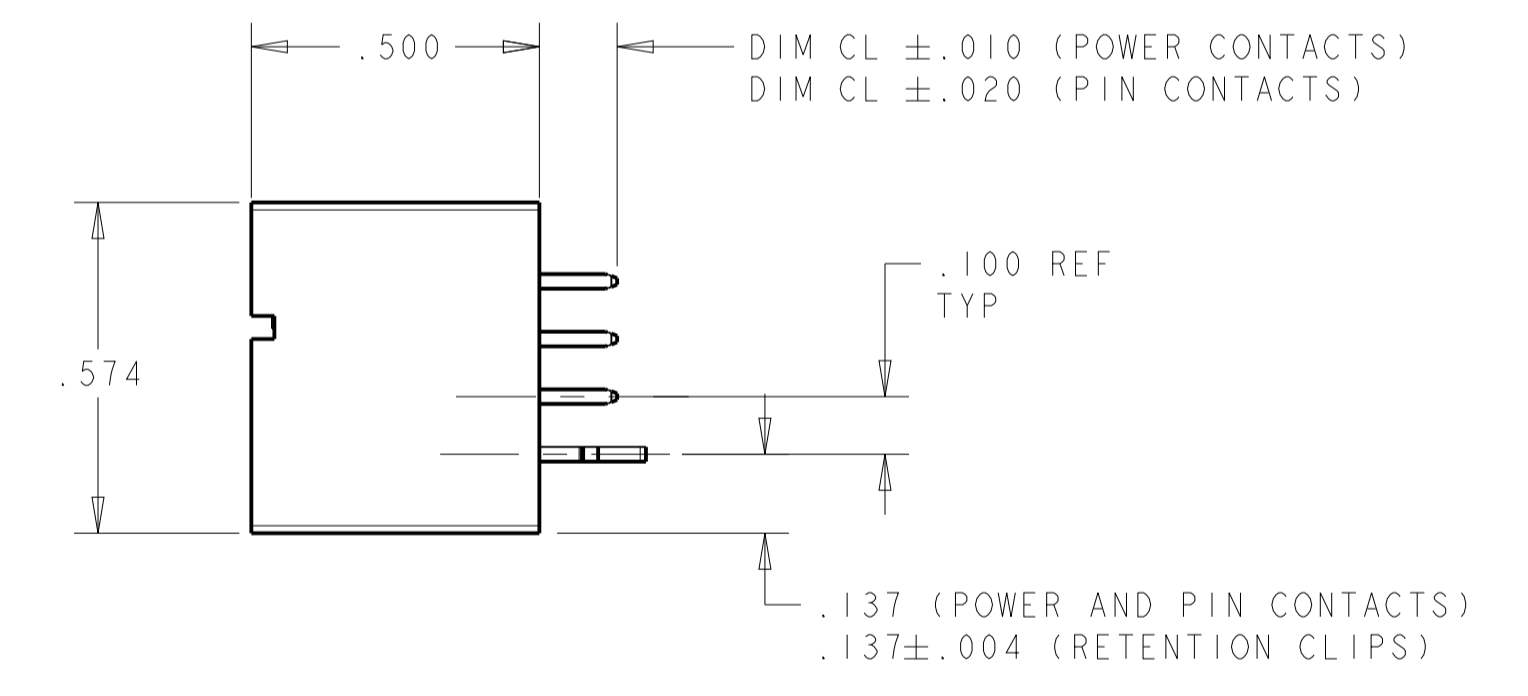
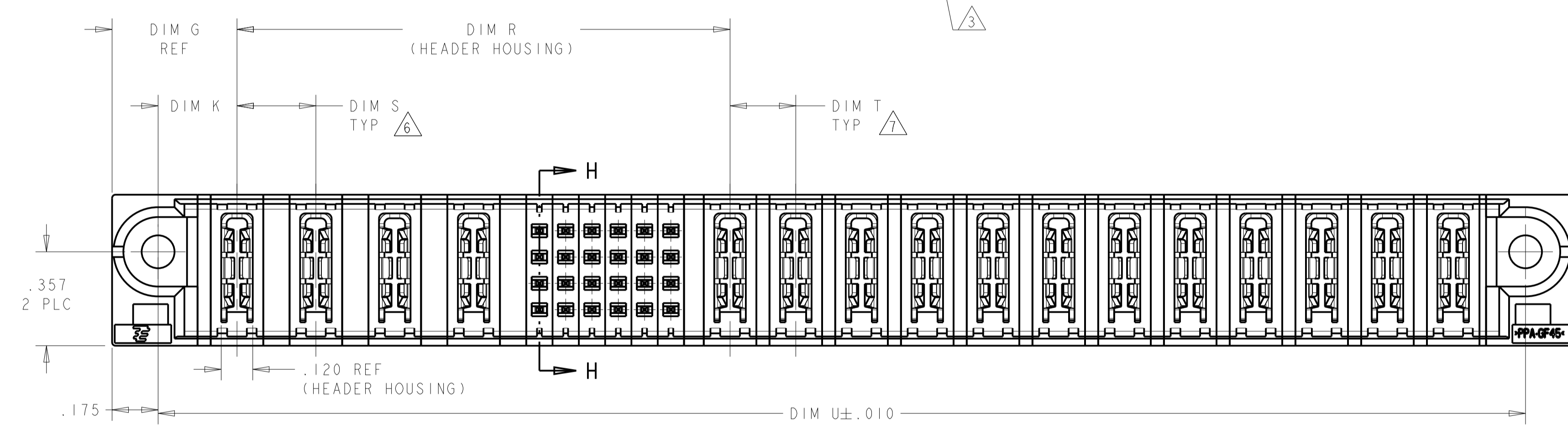
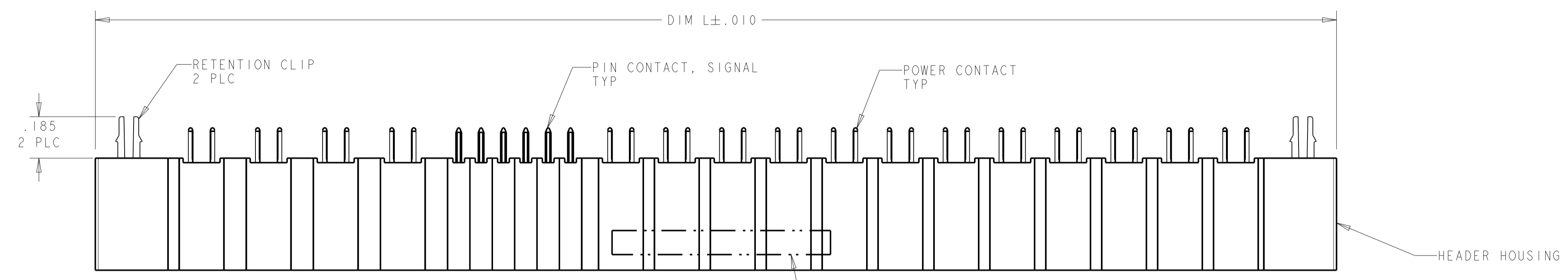


LOC		DIST		REVISIONS			
ES	00	P	LTH	DESCRIPTION	DATE	DWN	APVD
		J8		REVISED -6 TAIL LENGTH TO .135	04JAN21	CZ	SZ



- △ 1 HEADER HOUSING: THERMO PLASTIC, BLACK, UL94 V-0; CONTACTS AND RETENTION CLIPS: COPPER ALLOY.
- △ 2 CONTACT PLATING: NOBLE METAL PLATING ON CONTACT FUNCTIONAL AREA OF POWER AND SIGNAL CONTACTS
- △ 3 "AMP", PART NUMBER AND DATE CODE MARKED IN THIS AREA. PARTS UNDER 2.50 LONG MAY BE MARKED ON BOTH SIDES.
- △ 4 DATUM AND BASIC DIMENSIONS ESTABLISHED BY CUSTOMER.
- △ 5 PCB - ALL HOLE DIAMETERS ARE FINISHED HOLE SIZES.
- △ 6 APPLIES TO POWER MODULES ON LEFT SIDE OF SIGNAL CAVITIES OF HOUSING.
- △ 7 APPLIES TO POWER MODULES ON RIGHT SIDE OF SIGNAL CAVITIES OF HOUSING.
- △ 8 MECHANICAL CONNECTOR KEEP OUT ZONE.




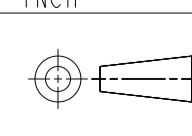
THIS DRAWING IS A CONTROLLED DOCUMENT.		DWN	J. McCLINTON	22MAR2005	TE Connectivity
DIMENSIONS: INCH		CHK	D. TROUT	22MAR2005	
TOLERANCES UNLESS OTHERWISE SPECIFIED:		APVD	P. WILBYNE	22MAR2005	NAME
0 PLC ±	1 PLC ±	PRODUCT SPEC	VERTICAL HEADER ASSEMBLY W/ GUIDES AND SOLDER TAILS MULTI-BEAM XL		
2 PLC ±	3 PLC ±.005	APPLICATION SPEC	108-1973		
4 PLC ±.0020	ANGLES ±	114-13038	SIZE	CAGE CODE	DRAWING NO
FINISH	WEIGHT	A100779	C=6600330	RESTRICTED TO	
△ 1	△ 2	CUSTOMER DRAWING		SCALE	3:1
				SHEET	1 OF 10
				REV	J8

THIS DRAWING IS UNPUBLISHED. RELEASED FOR PUBLICATION 20
 © COPYRIGHT 20 TE CONNECTIVITY ALL RIGHTS RESERVED.

LOC		DIST		REVISIONS			
P	LTN	DESCRIPTION	DATE	DWN	APVD		
-	-	SEE SHEET 1	-	-	-	-	-

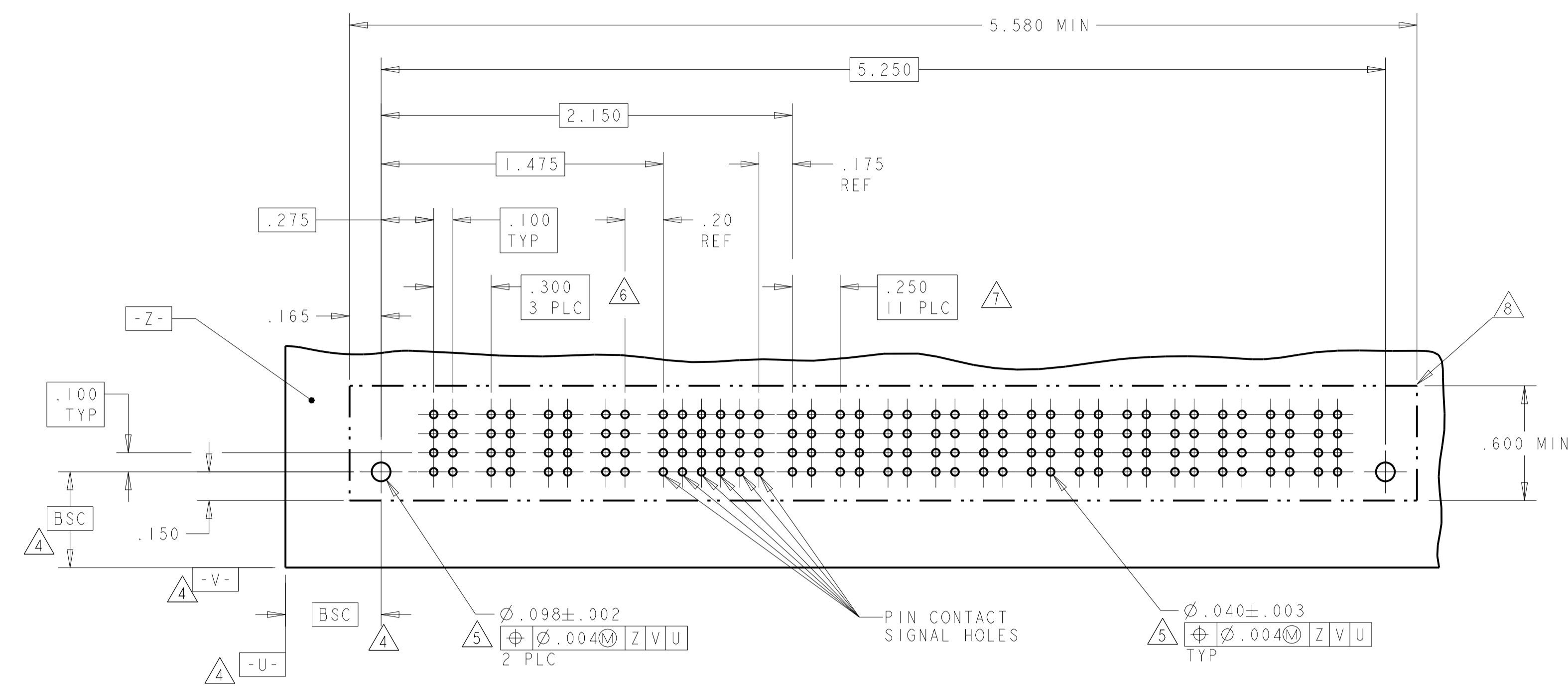
.135	.300	.175	1.600	-	-	1.050	1.950	.275	.450	1.650	YES	1P + 32S + 1P	2-6600330-5
.135	.300	.175	1.300	-	-	.750	1.650	.275	.450	1.350	YES	1P + 20S + 1P	2-6600330-4
.135	.175	-	.400	-	-	-	.750	.200	.375	.450	YES	4S	2-6600330-3
.135	.300	.425	1.600	.250	.250	.800	1.950	.275	.450	1.650	YES	2P + 12S + 2P	2-6600330-1
.135	.300	.925	3.200	.250	.250	1.900	3.550	.275	.450	3.250	YES	4P + 36S + 4P	2-6600330-0
.135	.300	.975	3.000	.250	.250	1.700	3.350	.275	.450	3.050	YES	4P + 24S + 4P	1-6600330-9
.135	.300	.375	2.400	.200	.200	1.650	2.750	.275	.450	2.450	YES	2HDP + 48S + 2HDP	1-6600330-3
.135	.300	.675	2.400	.250	.250	1.350	2.750	.275	.450	2.450	YES	3P + 24S + 3P	1-6600330-2
.135	.325	1.700	4.500	.300	.300	2.400	4.850	.300	.475	4.550	YES	6ACP + 24S + 6ACP	1-6600330-1
.135	.300	2.175	5.400	.250	.250	2.850	5.750	.275	.450	5.450	YES	9P + 24S + 9P	1-6600330-0
.135	.300	.925	2.900	.250	.250	1.600	3.250	.275	.450	2.950	NO	4P + 24S + 4P	6600330-9
.135	.300	.975	3.250	.250	.250	1.700	3.600	.275	.450	3.300	YES	4P + 24S + 5P	6600330-8
.135	.300	.425	1.900	.250	.250	1.100	2.250	.275	.450	1.950	YES	2P + 24S + 2P	6600330-6
.135	.300	1.375	4.000	.200	.200	2.250	4.350	.275	.450	4.050	YES	7P + 32S + 7P	6600330-5
.135	.325	.225	1.575	-	-	.950	1.925	.300	.475	1.625	YES	1P + 24S + 1P	6600330-4
.135	.300	1.975	4.200	.300	.250	2.725	4.550	.275	.450	4.250	YES	8P + 24S + 4ACP	6600330-3
.135	.325	.250	2.500	-	-	1.900	2.850	.300	.475	2.550	YES	1P + 60S + 1P	6600330-2
.135	.325	1.150	5.200	.250	.300	1.875	5.550	.300	.475	5.250	YES	4ACP + 24S + 12P	6600330-1
DIM "CL"	DIM "TT"	DIM "W"	DIM "U"	DIM "T"	DIM "S"	DIM "R"	DIM "L"	DIM "K"	DIM "G"	DIM "D"	RETENTION CLIP	DESCRIPTION	PART NUMBER

J8

THIS DRAWING IS A CONTROLLED DOCUMENT.		DWN J. McCLINTON 22MAR2005	
DIMENSIONS: INCH		CHK D. TROUT 22MAR2005	
TOLERANCES UNLESS OTHERWISE SPECIFIED:		APVD P. WHYNE 22MAR2005	NAME VERTICAL HEADER ASSEMBLY W/ GUIDES AND SOLDER TAILS MULTI-BEAM XL
		PRODUCT SPEC 108-1973	RESTRICTED TO
MATERIAL		APPLICATION SPEC 114-13038	SIZE A100779
FINISH		WEIGHT	CAGE CODE 6600330
CUSTOMER DRAWING		SCALE 4:1	SHEET 2 OF 10
		REV J8	

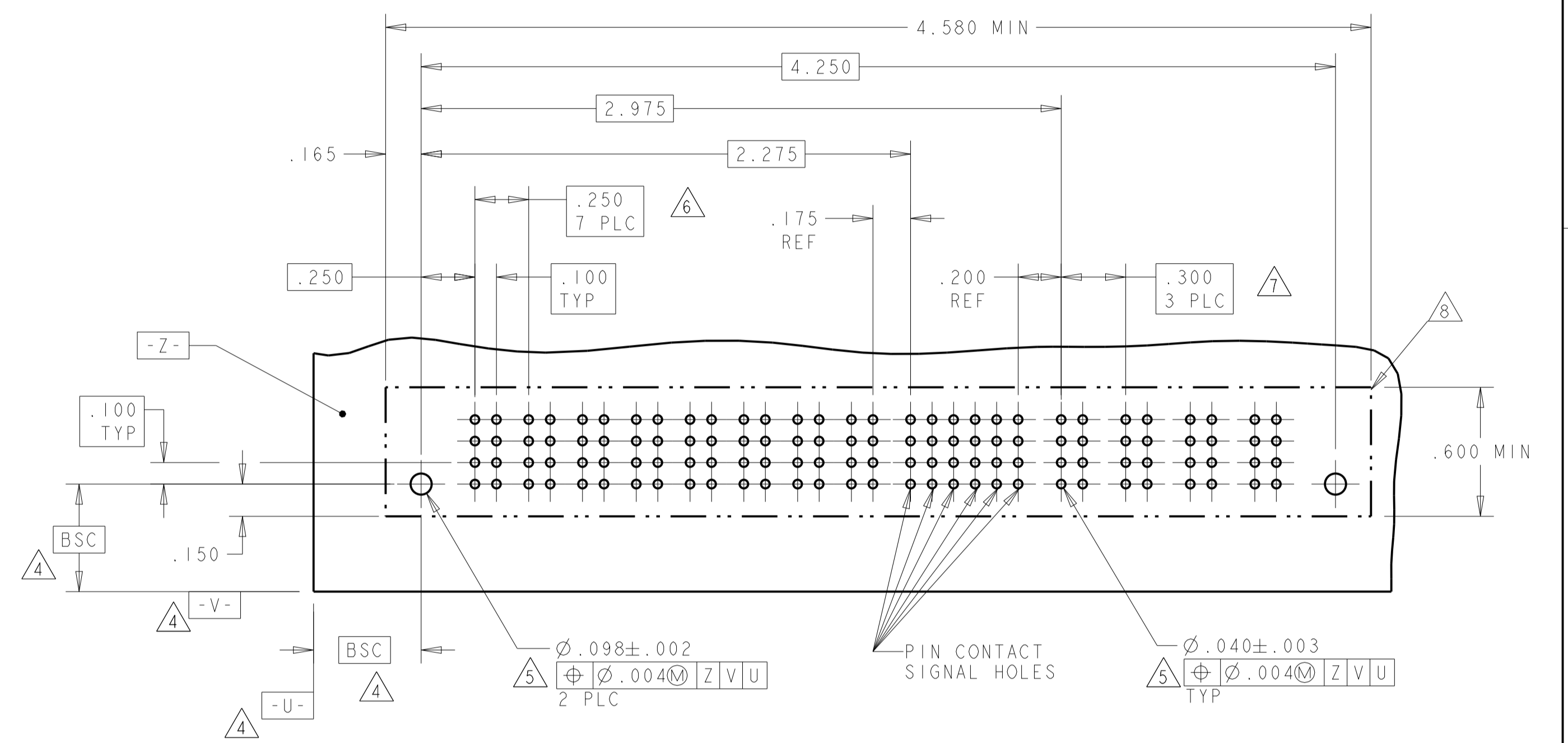
LOC	DIST	REV	DATE	APPV
ES	00			

PART NUMBER	ROWS	POWER				SIGNAL						POWER																	
		P1	P2	P3	P4	1	2	3	4	5	6	P5	P6	P7	P8	P9	P10	P11	P12	P13	P14	P15	P16						
6600330-1	D	SZ	SZ	SZ	SZ	SV	SV	SV	SV	SV	SV	SV	SV	SV	SV	SV	SV	SV	SV	SV	SV	SV	SV						
	C					SV	SV	SV	SV	SV	SV	SV	SV	SV	SV	SV	SV	SV	SV	SV	SV	SV	SV	SV	SV	SV			
	B					SV	SV	SV	SV	SV	SV	SV	SV	SV	SV	SV	SV	SV	SV	SV	SV	SV	SV	SV	SV	SV	SV		
	A					SV	SV	SV	SV	SV	SV	SV	SV	SV	SV	SV	SV	SV	SV	SV	SV	SV	SV	SV	SV	SV	SV		
4P+24S+12P		HD																										HD	



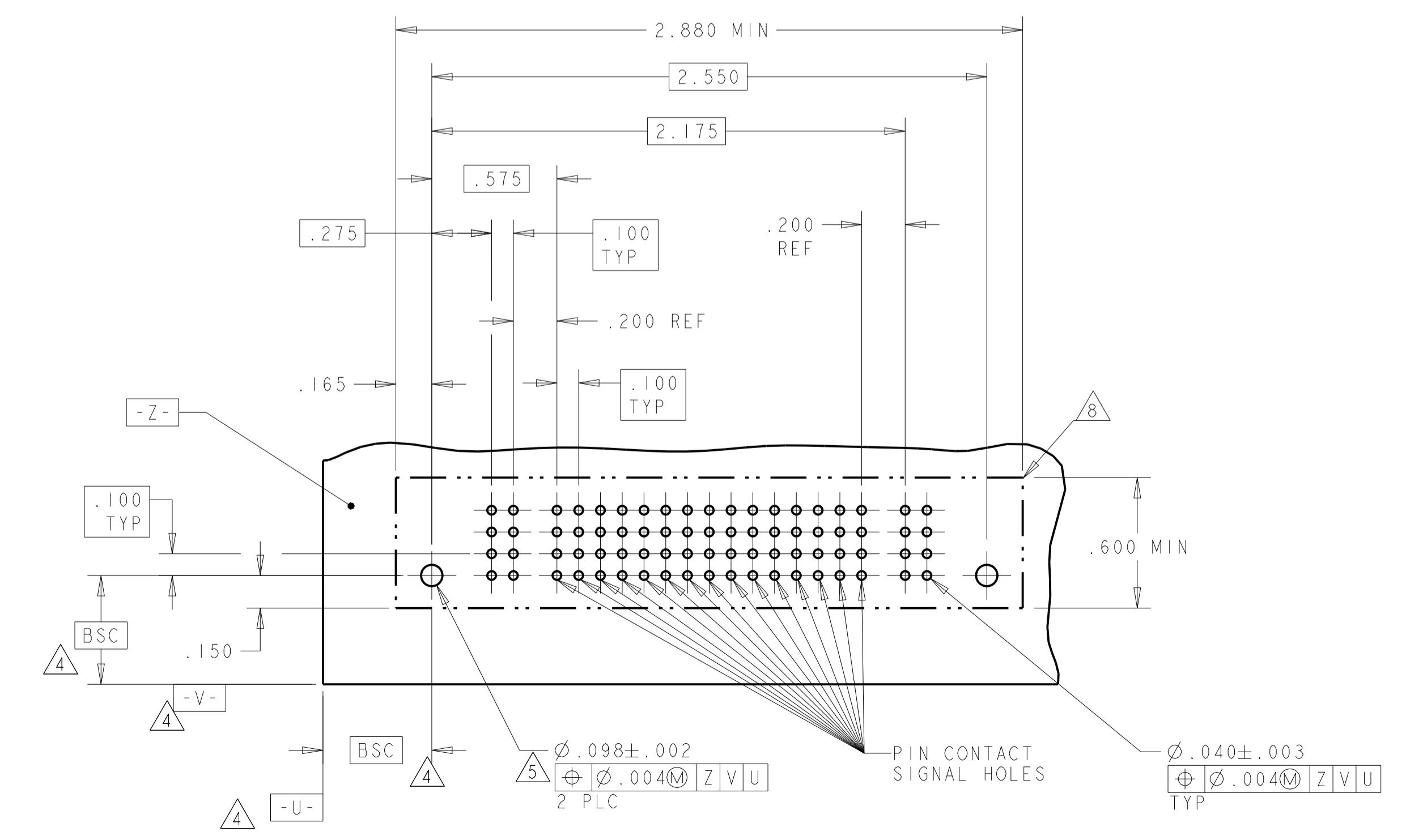
RECOMMENDED PCB LAYOUT 6600330-1
SCALE 2:1

PART NUMBER	ROWS	POWER				SIGNAL						POWER																																	
		P1	P2	P3	P4	P5	P6	P7	P8	1	2	3	4	5	6	P9	P10	P11	P12																										
6600330-3	D	SZ	SZ	SZ	SZ	SZ	SZ	SZ	SZ	SZ	SZ	SZ	SZ	SZ	SZ	SZ	SZ	SZ	SZ	SZ	SZ	SZ	SZ																						
	C																							SV	SV	SV	SV	SV	SV	SV	SV	SV	SV	SV	SV	SV	SV	SV	SV	SV	SV	SV	SV		
	B																							SV	SV	SV	SV	SV	SV	SV	SV	SV	SV	SV	SV	SV	SV	SV	SV	SV	SV	SV	SV	SV	SV
	A																							SV	SV	SV	SV	SV	SV	SV	SV	SV	SV	SV	SV	SV	SV	SV	SV	SV	SV	SV	SV	SV	SV
8P+24S+4ACP		HD																				HD																							



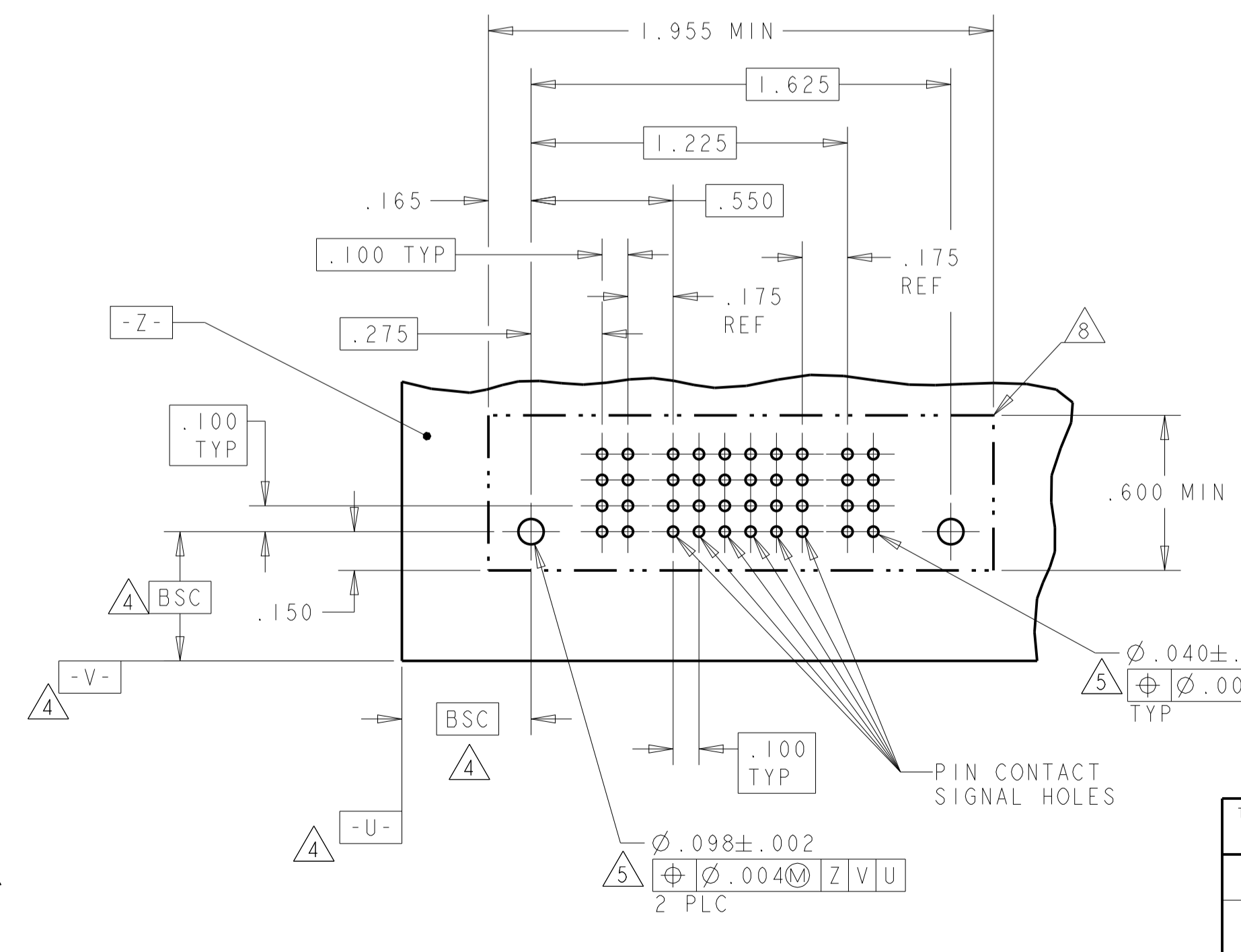
RECOMMENDED PCB LAYOUT 6600330-3
SCALE 2:1

PART NUMBER	ROWS	SIGNAL															POWER							
		P1	1	2	3	4	5	6	7	8	9	10	11	12	13	14		15	P2					
6600330-2	D	SZ	SV	SV	SV	SV	SV	SV	SV	SV	SV	SV	SV	SV	SV	SV	SV	SV	SV	SV	SV	SV	SV	SV
	C		SV	SV	SV	SV	SV	SV	SV	SV	SV	SV	SV	SV	SV	SV	SV	SV	SV	SV	SV	SV	SV	SV
	B		SV	SV	SV	SV	SV	SV	SV	SV	SV	SV	SV	SV	SV	SV	SV	SV	SV	SV	SV	SV	SV	SV
	A		SV	SV	SV	SV	SV	SV	SV	SV	SV	SV	SV	SV	SV	SV	SV	SV	SV	SV	SV	SV	SV	SV
1P+60S+1P		HD																				HD		



RECOMMENDED PCB LAYOUT 6600330-2
SCALE 2:1

PART NUMBER	ROWS	SIGNAL						POWER				
		P1	1	2	3	4	5		6	P2		
6600330-4	D	SZ	SV	SV	SV	SV	SV	SV	SV	SV	SV	SV
	C		SV	SV	SV	SV	SV	SV	SV	SV	SV	SV
	B		SV	SV	SV	SV	SV	SV	SV	SV	SV	SV
	A		SV	SV	SV	SV	SV	SV	SV	SV	SV	SV
1P+24S+1P		HD								HD		



RECOMMENDED PCB LAYOUT 6600330-4
SCALE 2:1

MATING SEQUENCE	DESCRIPTION	IDENTIFIER
-	RETENTION CLIP	HD
STANDARD	SIGNAL CONTACT	SV or MV
MLBF	SIGNAL CONTACT	SS or MS
-	POWER CONTACT	SZ or MP

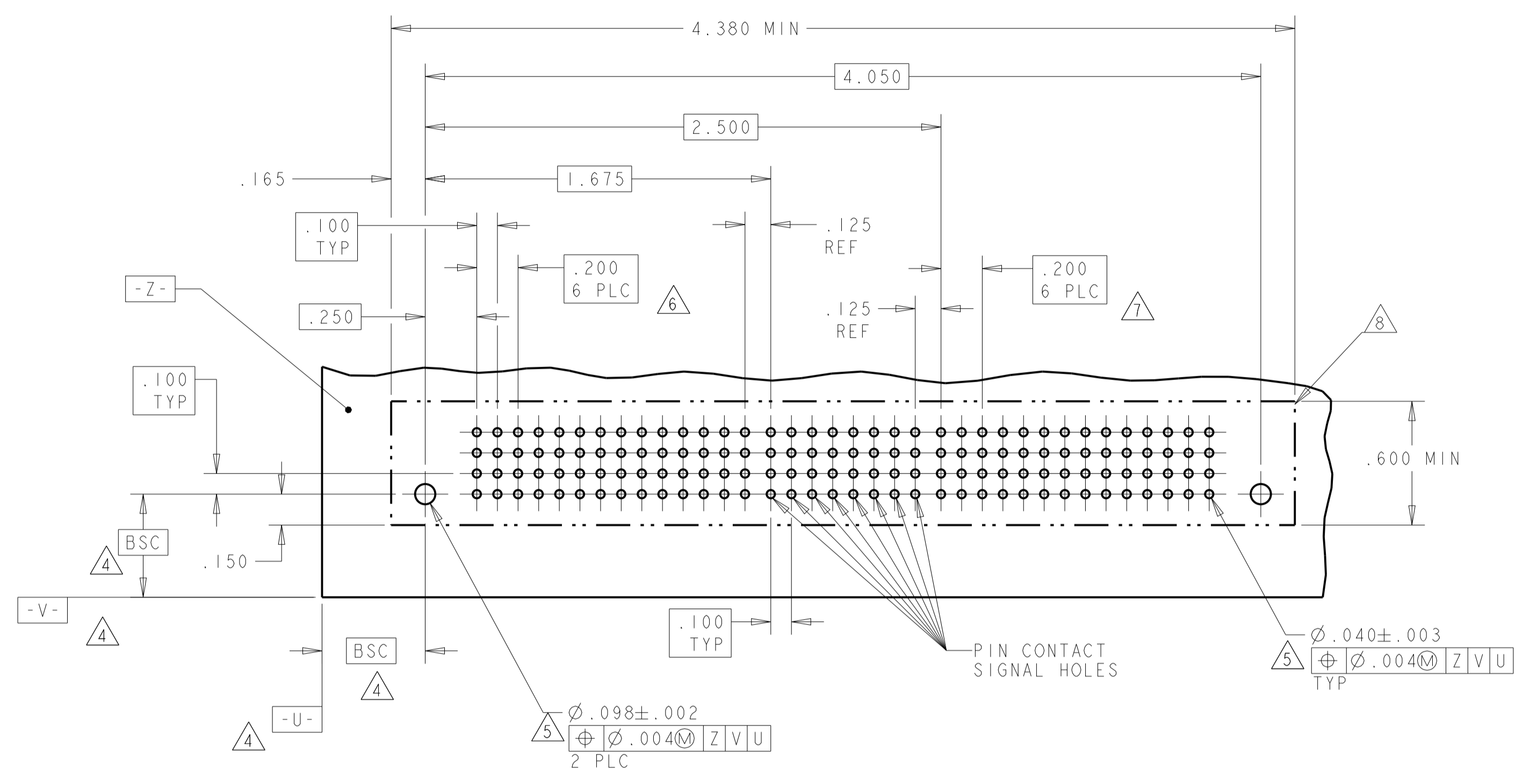
THIS DRAWING IS A CONTROLLED DOCUMENT.

DIMENSIONS:	TOLERANCES UNLESS OTHERWISE SPECIFIED:	OWN: J. McCLINTON 22MAR2005	CHK: D. TROUT 22MAR2005	APV: P. MLYNE 22MAR2005
INCH	0 PLC ± .010 1 PLC ± .005 2 PLC ± .005 3 PLC ± .005 4 PLC ± .002	PRODUCT SPEC: 108-1973	APPLICATION SPEC: 114-13038	WEIGHT: A100779
MATERIAL:	FINISH:	SIZE: CAGE CODE: DRAWING NO: 6600330	RESTRICTED TO:	CUSTOMER DRAWING

TE Connectivity
VERTICAL HEADER ASSEMBLY W/ GUIDES AND SOLDER TAILS MULTI-BEAM XL
SCALE 4:1 SHEET 3 OF 10 REV J8

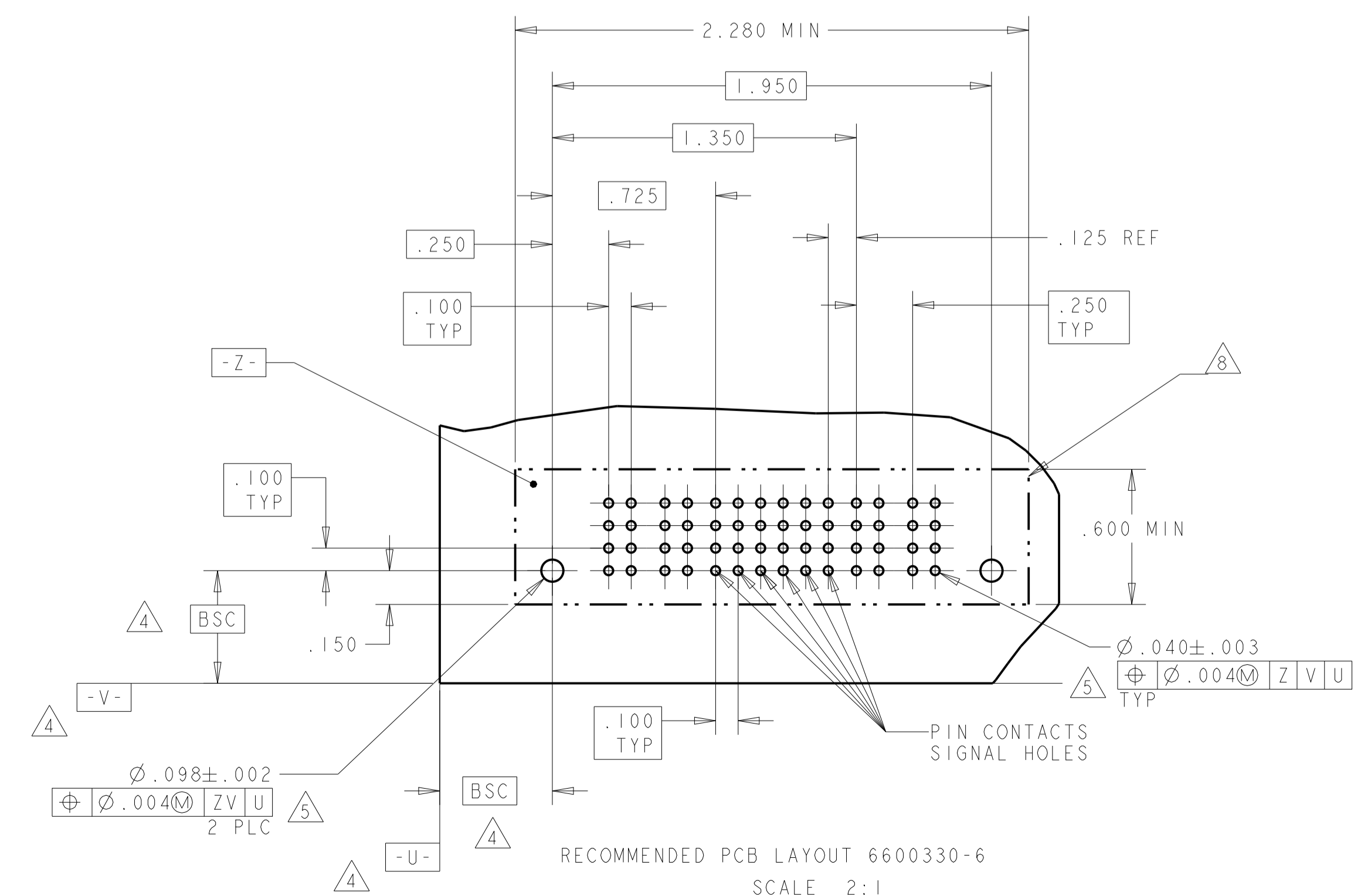
LOC		DIST		REVISIONS			
ES	00	P	LTM	DESCRIPTION	DATE	OWN	APVD
		-	-	SEE SHEET 1	-	-	-

PART NUMBER	ROWS	POWER						SIGNAL								POWER															
		P1	P2	P3	P4	P5	P6	P7	1	2	3	4	5	6	7	8	P8	P9	P10	P11	P12	P13	P14								
6600330-5	D	SZ	SZ	SZ	SZ	SZ	SZ	SV	SV	SV	SV	SV	SV	SV	SV	SZ	SZ	SZ	SZ	SZ	SZ	SZ									
	SV							SV	SV	SV	SV	SV	SV	SV																	
	SV							SV	SV	SV	SV	SV	SV	SV																	
	SV							SV	SV	SV	SV	SV	SV	SV																	
7P+32S+7P		HD																													HD



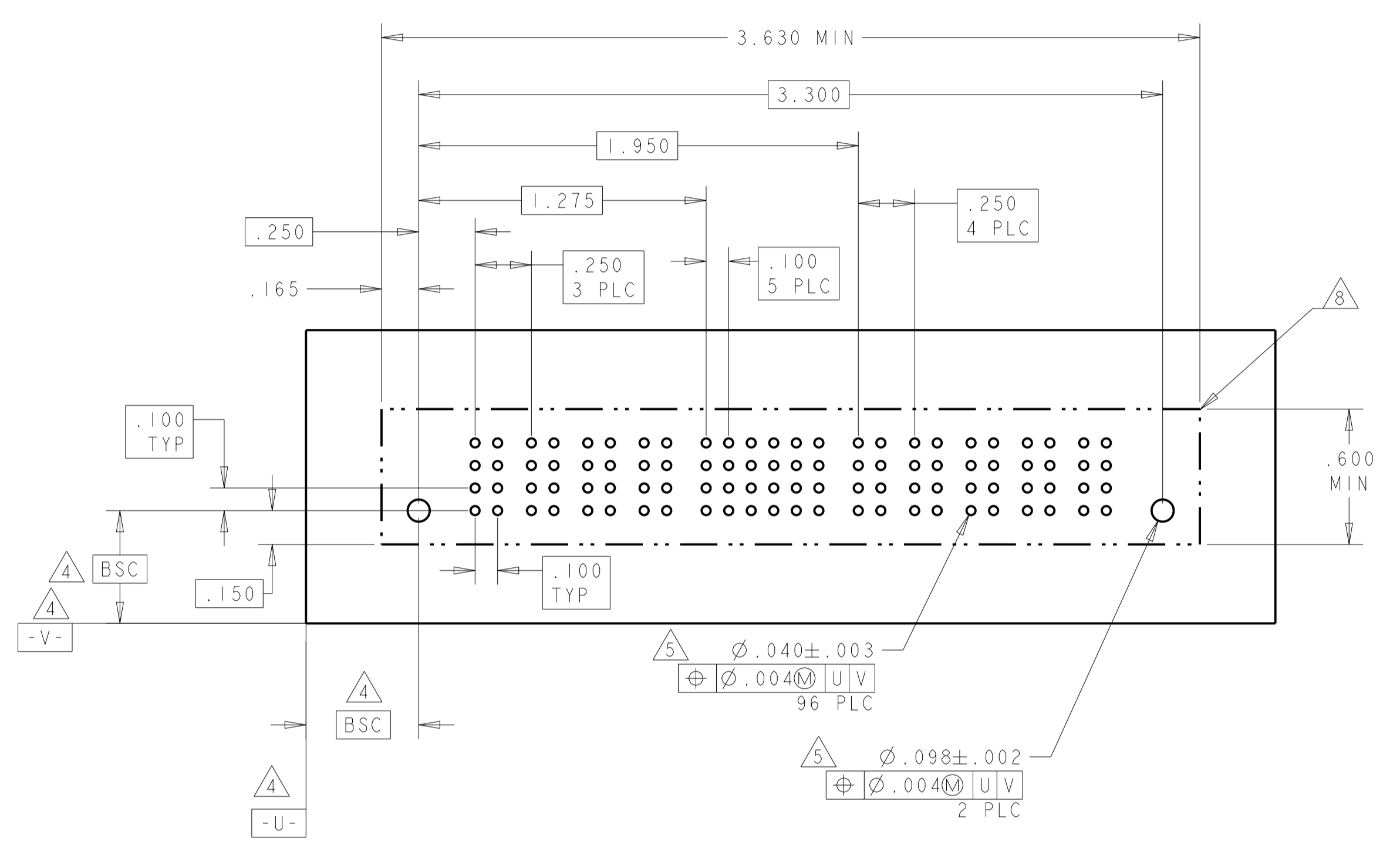
RECOMMENDED PCB LAYOUT 6600330-5
 SCALE 2:1

PART NUMBER	ROWS	POWER		SIGNAL						POWER			
		P1	P2	1	2	3	4	5	6	P3	P4		
6600330-6	D	SZ	SZ	SV	SV	SV	SV	SV	SV	SZ	SZ		
	SV			SV	SV	SV	SV	SV					
	SV			SV	SV	SV	SV	SV					
	SV			SV	SV	SV	SV	SV					
2P+24S+2P		HD											HD



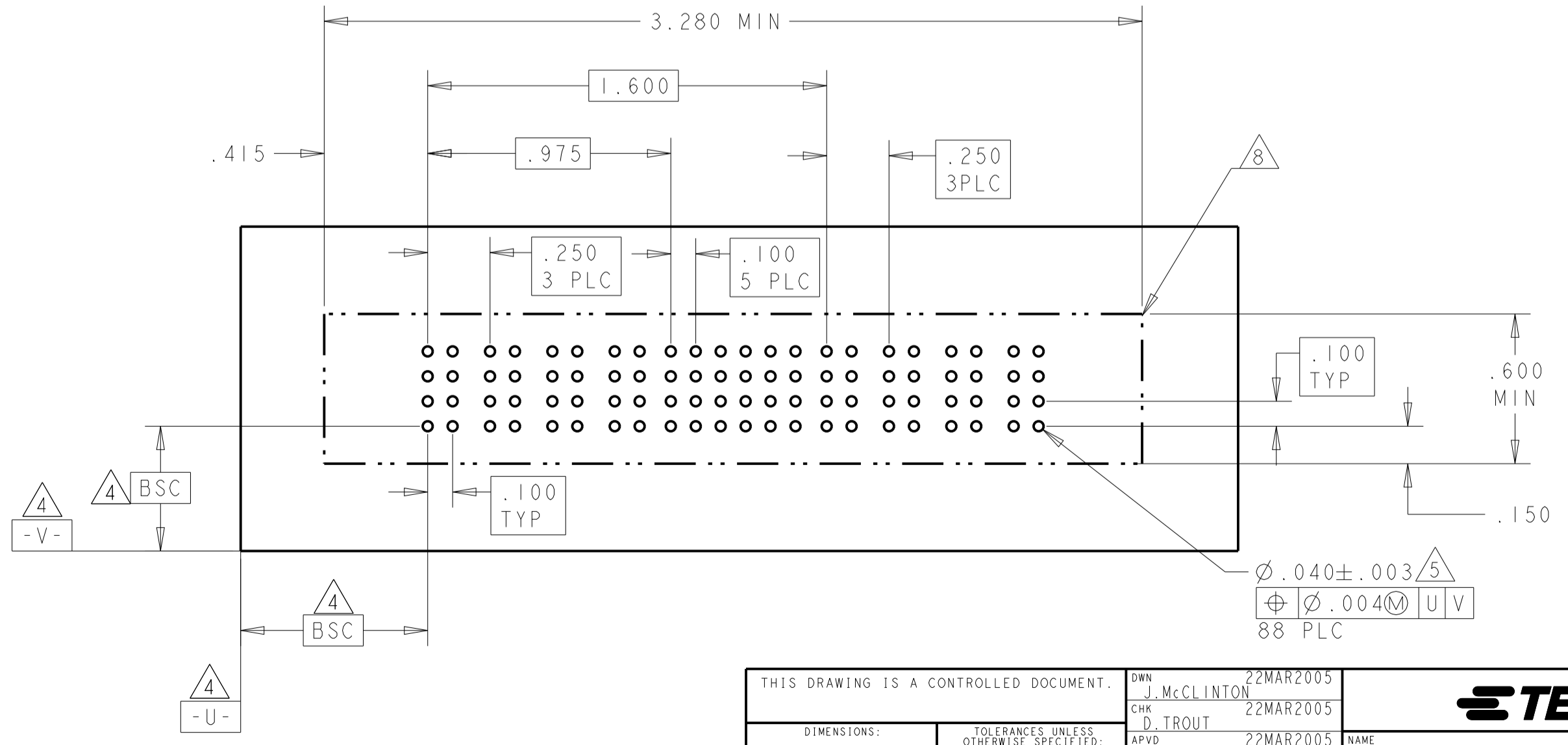
RECOMMENDED PCB LAYOUT 6600330-6
 SCALE 2:1

PART NUMBER	ROWS	POWER				SIGNAL						POWER						
		P1	P2	P3	P4	1	2	3	4	5	6	P5	P6	P7	P8	P9		
6600330-8	D	SZ	SZ	SZ	SZ	SS	SV	SS	SV	SV	SV	SZ	SZ	SZ	SZ	SZ		
	SV					SV	SV	SV	SV	SV								
	SV					SS	SV	SS	SV	SV								
	SS					SS	SV	SV	SS	SS								
4P+24S+5P		HD																HD



RECOMMENDED PCB LAYOUT FOR 6600330-8

PART NUMBER	ROWS	POWER				SIGNAL						POWER			
		P1	P2	P3	P4	1	2	3	4	5	6	P5	P6	P7	P8
6600330-9	D	SZ	SZ	SZ	SZ	SV	SV	SV	SV	SV	SV	SZ	SZ	SZ	SZ
	SV					SV	SV	SV	SV	SV					
	SV					SV	SV	SV	SV	SV					
	SV					SV	SV	SV	SV	SV					
4P+24S+4P															



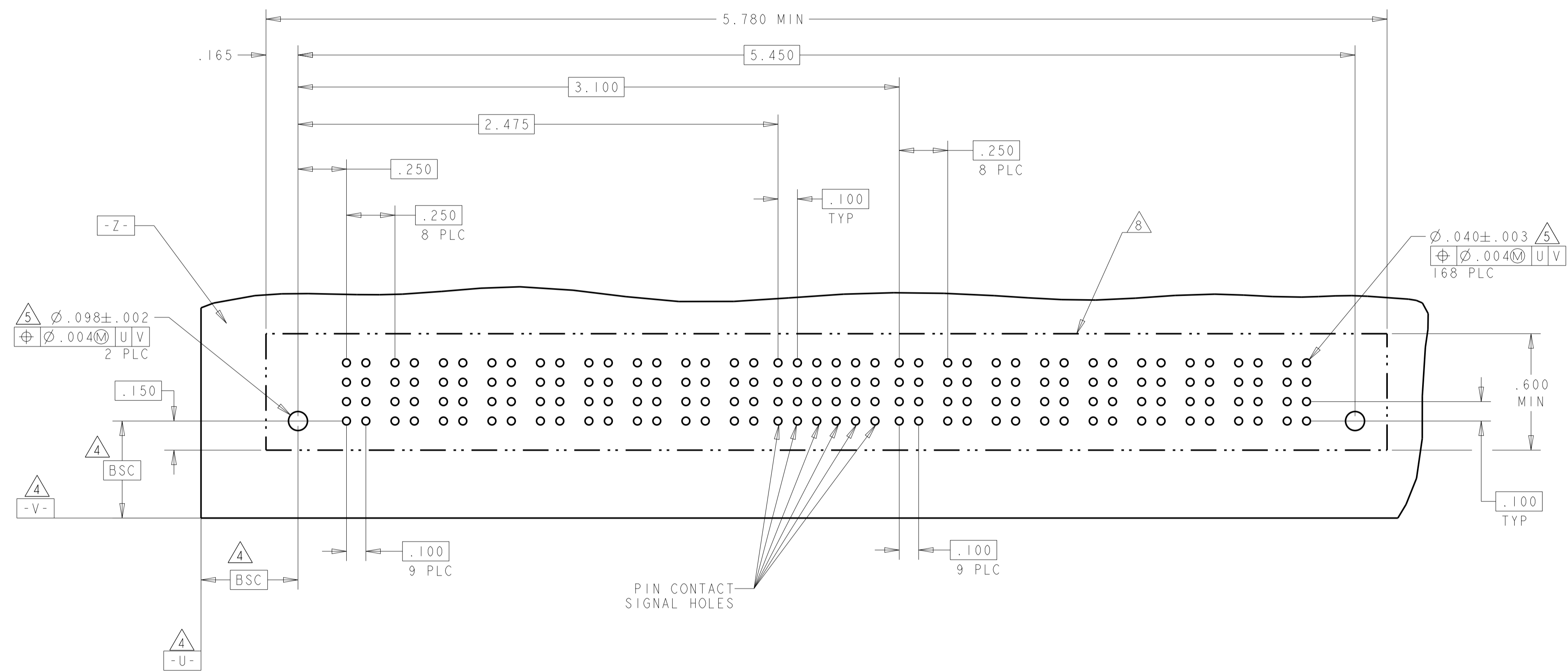
THIS DRAWING IS A CONTROLLED DOCUMENT. OWN: J. McCLINTON 22MAR2005
 CHK: D. TROUT 22MAR2005
 APVD: B. MLYNE 22MAR2005

DIMENSIONS: INCH	TOLERANCES UNLESS OTHERWISE SPECIFIED:	PRODUCT SPEC 108-1973	APPLICATION SPEC 114-13038
0 PLC ±	1 PLC ±	2 PLC ±	3 PLC ±
4 PLC ±	5 PLC ±	6 PLC ±	ANGLES ±
MATERIAL	FINISH	WEIGHT	RESTRICTED TO

NAME: VERTICAL HEADER ASSEMBLY W/ GUIDES AND SOLDER TAILS MULTI-BEAM XL
 SIZE: A1
 CAGE CODE: 100779
 DRAWING NO: 6600330
 CUSTOMER DRAWING
 SCALE: 4:1 SHEET 4 OF 10 REV J8

LOC	DIST	REVISIONS			
ES	00	REV	DATE	BY	APPV
-	-	SEE SHEET 1	-	-	-

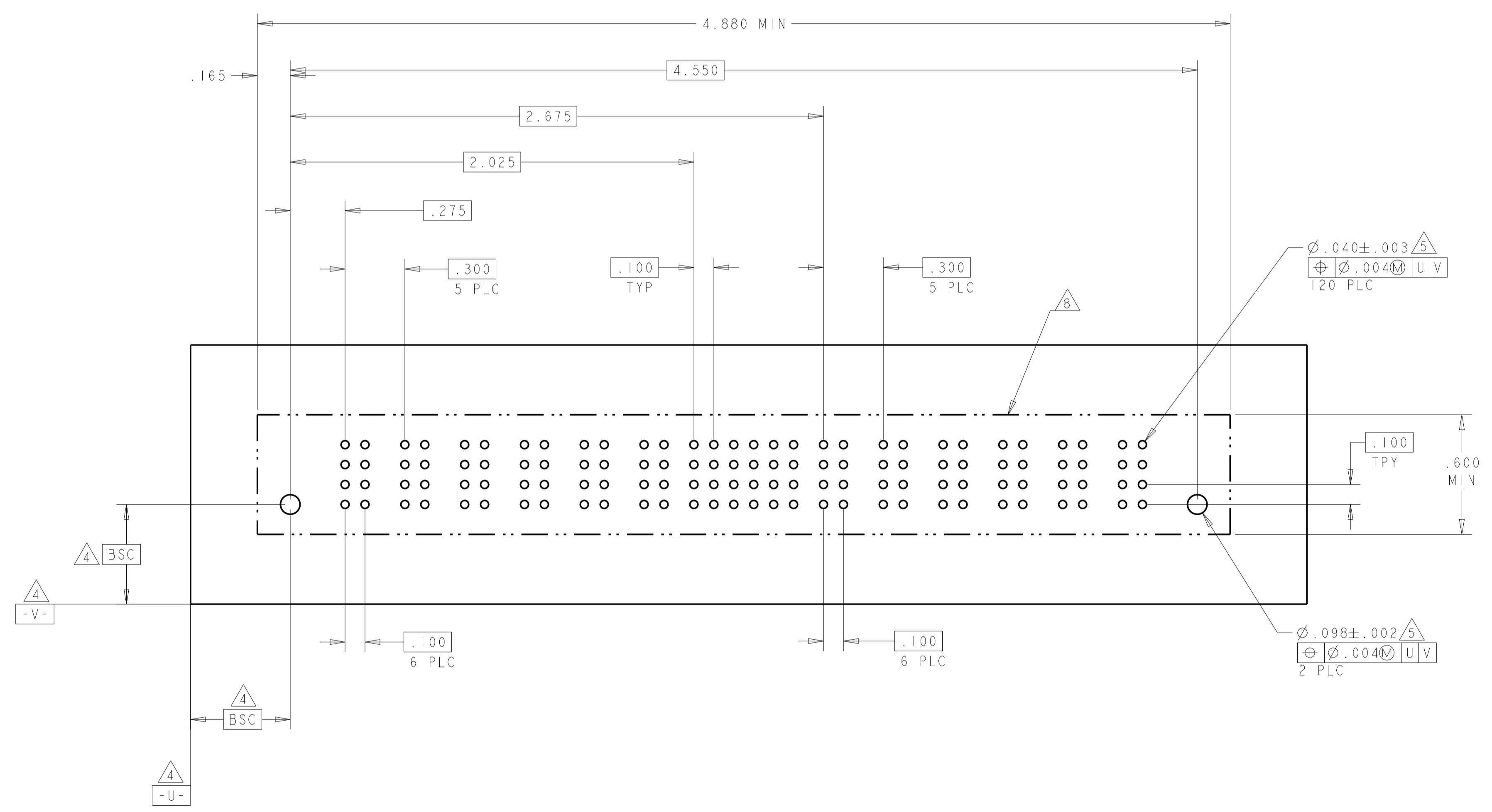
PART NUMBER	ROWS	POWER									SIGNAL						POWER												
		P1	P2	P3	P4	P5	P6	P7	P8	P9	1	2	3	4	5	6	P10	P11	P12	P13	P14	P15	P16	P17	P18				
I-6600330-0	D		SZ	SZ	SZ	SZ	SZ	SZ	SZ	SZ	SV	SV	SV	SV	SV	SV	SZ	SZ	SZ	SZ	SZ	SZ	SZ	SZ	SZ				
	SV										SV	SV	SV	SV	SV														
	SV										SV	SV	SV	SV	SV														
	SV										SV	SV	SV	SV	SV														
9P+24S+9P	HD																												HD



THIS DRAWING IS A CONTROLLED DOCUMENT.		DWN: J. McCLINTON 22MAR2005 CHK: D. TROUT 22MAR2005 APVD: P. WHYNE 22MAR2005	TE Connectivity
DIMENSIONS: INCH	TOLERANCES UNLESS OTHERWISE SPECIFIED: 0 PLC ± 1 PLC ± 2 PLC ± 3 PLC ±.005 4 PLC ±.0020 ANGLES ±.020	PRODUCT SPEC: 108-1973 APPLICATION SPEC: 114-13038 WEIGHT: - CUSTOMER DRAWING	

LOC	DIST	REVISIONS					
		P	LTN	DESCRIPTION	DATE	DWN	APVD
ES	00	-		SEE SHEET 1	-	-	-

PART NUMBER	ROWS	POWER						SIGNAL						POWER						
		P1	P2	P3	P4	P5	P6	1	2	3	4	5	6	P7	P8	P9	P10	P11	P12	
I-6600330-1	D	SZ	SZ	SZ	SZ	SZ	SZ	SV	SV	SV	SV	SV	SV	SZ	SZ	SZ	SZ	SZ	SZ	
	C							SS	SS	SS	SS	SS	SS							
	B							SS	SS	SS	SS	SS	SS							
	A							SS	SS	SS	SS	SS	SS							
6ACP+24S+6ACP	HD																			HD



THIS DRAWING IS A CONTROLLED DOCUMENT.

DWN: J. McCLINTON 22MAR2005
 CHK: D. TROUT 22MAR2005
 APVD: B. WHYNE 22MAR2005

TE Connectivity

NAME: VERTICAL HEADER ASSEMBLY W/ GUIDES AND SOLDER TAILS MULTI-BEAM XL

PRODUCT SPEC: 108-1973
 APPLICATION SPEC: 114-13038

SIZE: A1 CAGE CODE: 6600330 DRAWING NO: 100779

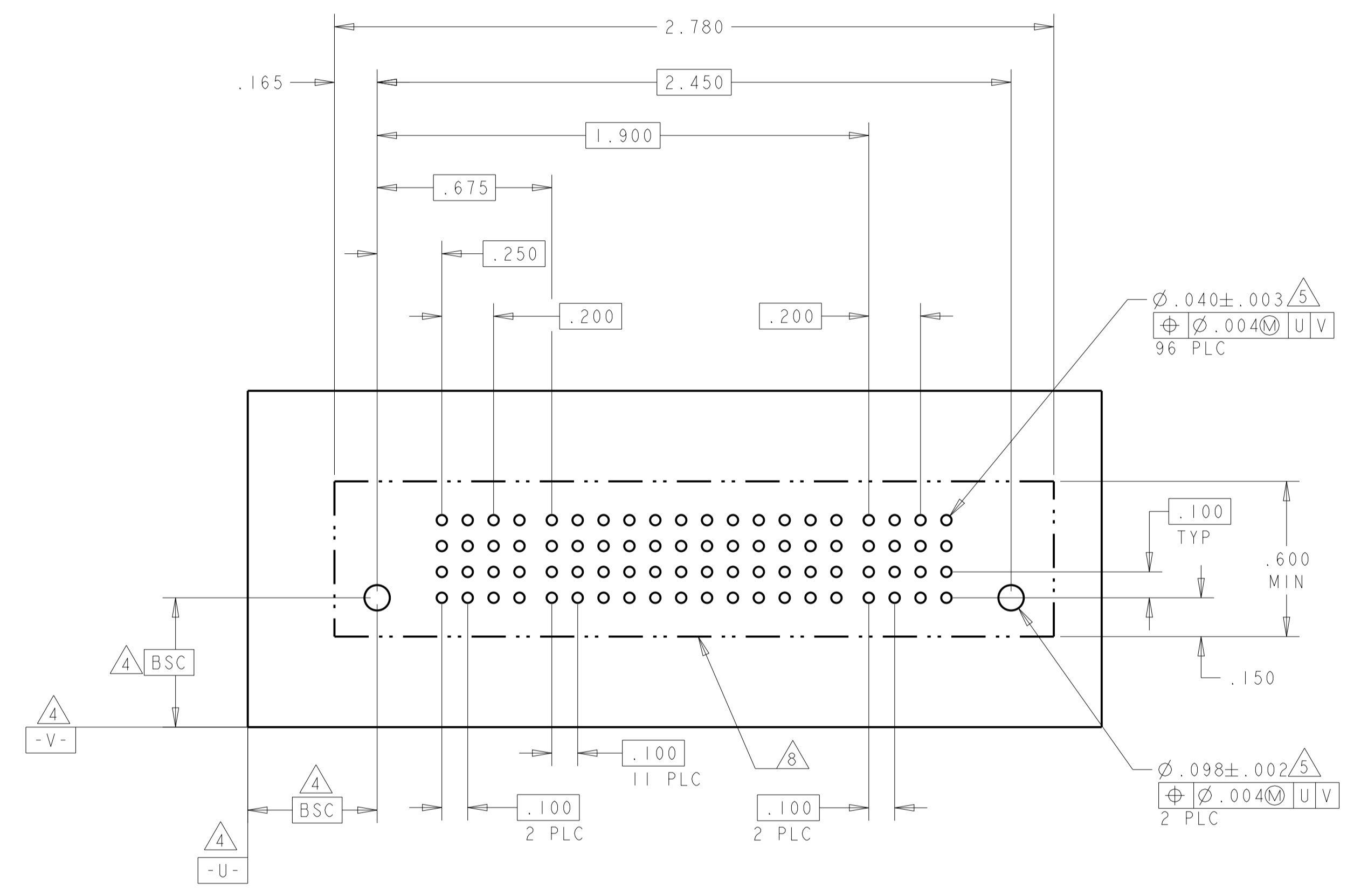
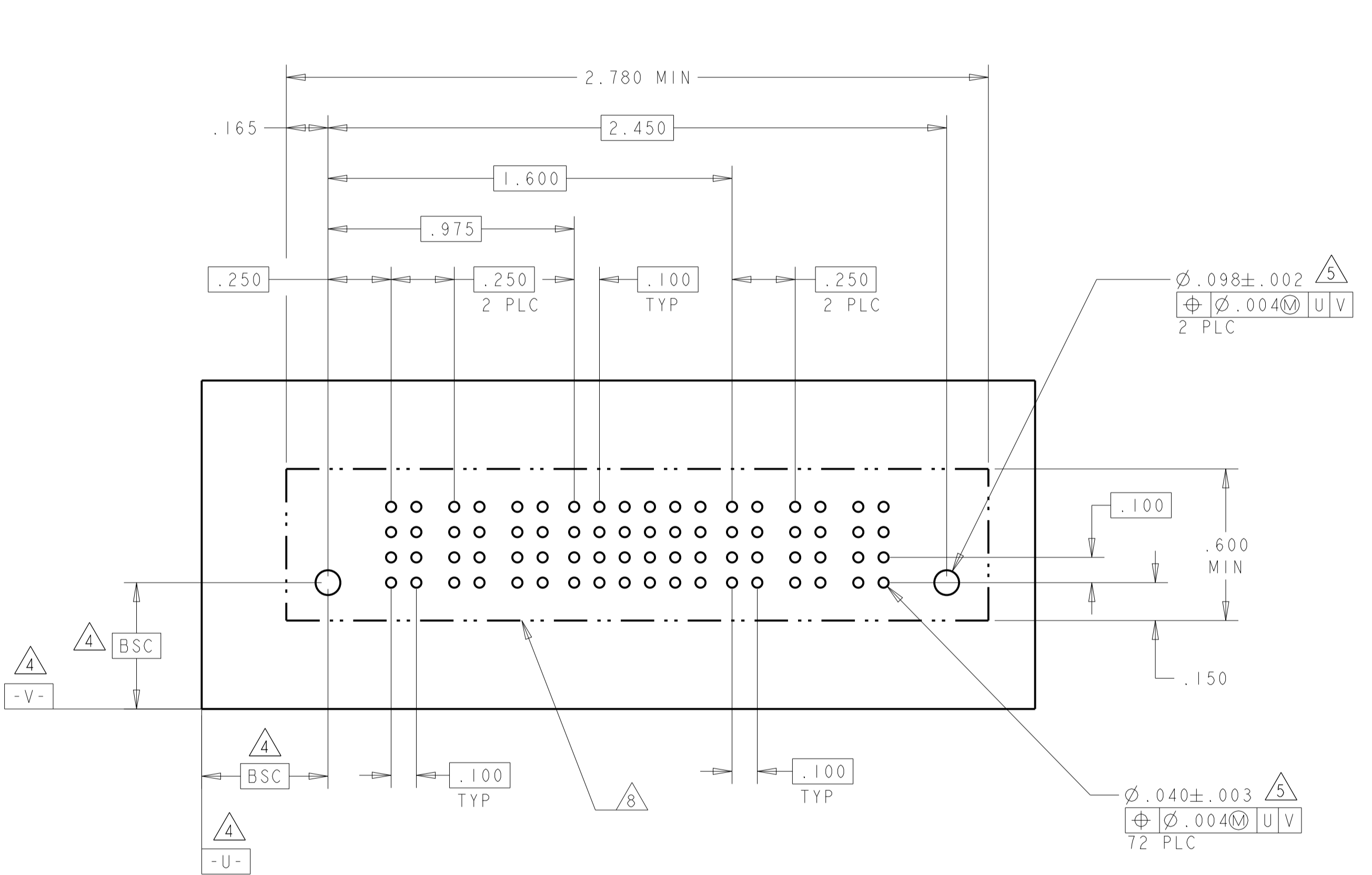
MATERIAL: - FINISH: - WEIGHT: -

CUSTOMER DRAWING SCALE: 4:1 SHEET 6 OF 10 REV J8

LOC		DIST		REVISIONS			
ES	00	P	LTN	DESCRIPTION	DATE	DWN	APVD
		-		SEE SHEET 1			

PART NUMBER	ROWS	POWER			SIGNAL						POWER		
		P1	P2	P3	1	2	3	4	5	6	P4	P5	P6
1-6600330-2	D	SZ	SZ	SZ	SV	SV	SV	SV	SV	SV	SZ	SZ	SZ
	C				SV	SV	SV	SV	SV	SV			
	B				SV	SV	SV	SV	SV	SV			
	A				SV	SV	SV	SV	SV	SV			
3P + 24S + 3P													

PART NUMBER	ROWS	POWER		SIGNAL												POWER				
		P1	P2	1	2	3	4	5	6	7	8	9	10	11	12	P3	P4			
1-6600330-3	D	SZ	SZ	SV	SV	SS	SS	SV	SS	SS	SV	SS	SS	SV	SS	SS	SV	SS	SZ	SZ
	C			SS	SS	SV	SS	SS	SS	SS	SV	SS	SS	SS	SS					
	B			SV	SV	SS	SS	SS	SS	SS	SV	SS	SS	SS						
	A			SS	SS	SV	SS	SS	SS	SS	SV	SS	SS	SS						
2HDP + 48S + 2HDP																				

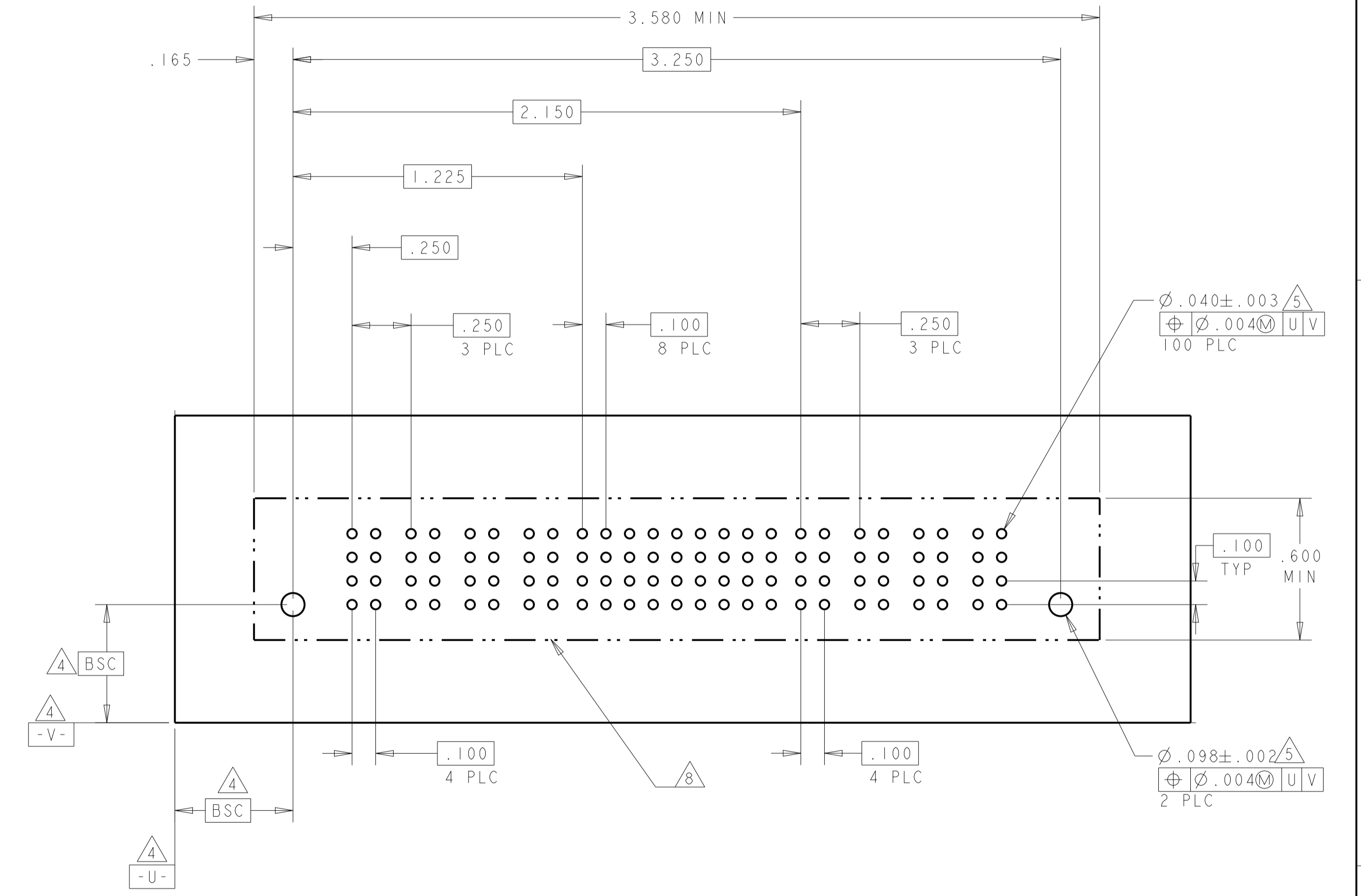
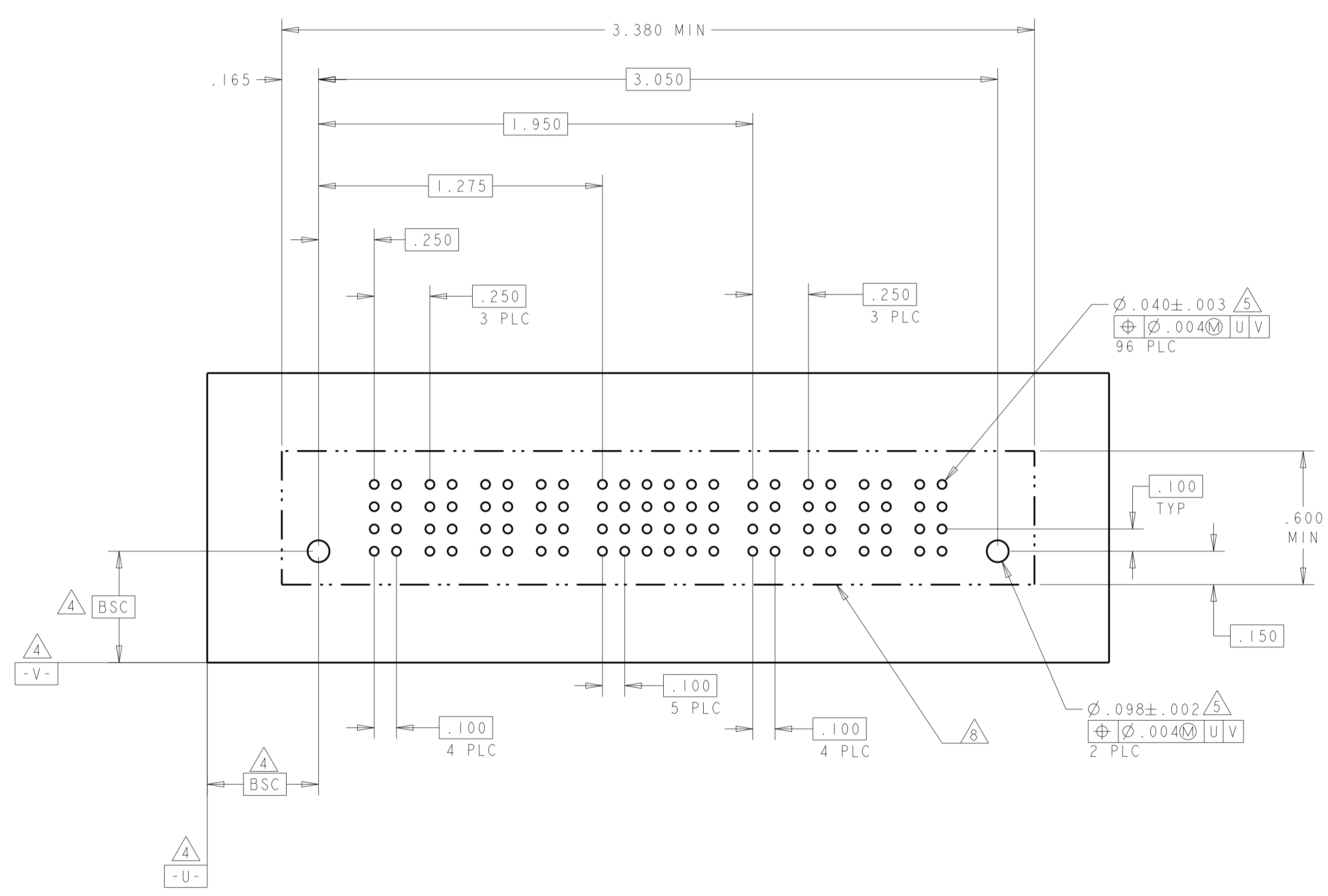


THIS DRAWING IS A CONTROLLED DOCUMENT.		DWN J. McCLINTON 22MAR2005	TE Connectivity
DIMENSIONS: INCH		CHK D. TROUT 22MAR2005	
TOLERANCES UNLESS OTHERWISE SPECIFIED:		APVD P. WHYNE 22MAR2005	NAME VERTICAL HEADER ASSEMBLY W/ GUIDES AND SOLDER TAILS MULTI-BEAM XL
0 PLC ±. 2 PLC ±. 3 PLC ±. 4 PLC ±.005 ANGLES ±.0020		PRODUCT SPEC 108-1973	SIZE A100779
MATERIAL FINISH		APPLICATION SPEC 114-13038	RESTRICTED TO
		WEIGHT	CAGE CODE DRAWING NO C=6600330
		CUSTOMER DRAWING	SCALE 4:1 SHEET 7 OF 10 REV J8

LOC		DIST		REVISIONS				
ES	00	P	LTN	DESCRIPTION	DATE	DMN	APVD	
-	-	-	-	SEE SHEET 1	-	-	-	

PART NUMBER	ROWS	POWER				SIGNAL						POWER			
		P1	P2	P3	P4	1	2	3	4	5	6	P5	P6	P7	P8
1-6600330-9	D	SZ	SZ	SZ	SZ	SS	SS	SS	SS	SV	SS	SZ	SZ	SZ	SZ
	C					SS	SS	SS	SS	SV	SS				
	B					SS	SS	SS	SS	SV	SS				
	A					SS	SS	SV	SS	SV	SS				
4P+24S+4P		HD													HD

PART NUMBER	ROWS	POWER				SIGNAL									POWER			
		P1	P2	P3	P4	1	2	3	4	5	6	7	8	9	P5	P6	P7	P8
2-6600330-0	D	SZ	SZ	SZ	SZ	SV	SV	SV	SV	SV	SV	SV	SV	SV	SZ	SZ	SZ	SZ
	C					SV	SV	SV	SV	SV	SV	SV	SV	SV				
	B					SV	SV	SV	SV	SV	SV	SV	SV	SV				
	A					SV	SV	SV	SV	SV	SV	SV	SV	SV				
4P+36S+4P		HD																HD



THIS DRAWING IS A CONTROLLED DOCUMENT.

DIMENSIONS:	TOLERANCES UNLESS OTHERWISE SPECIFIED:	DMN: J. McCLINTON 22MAR2005	CHK: D. TROUT 22MAR2005	APVD: P. WYNE 22MAR2005
INCH	0 PLC ± .005 1 PLC ± .005 2 PLC ± .005 3 PLC ± .005 4 PLC ± .005	PRODUCT SPEC: 108-1973	APPLICATION SPEC: 114-13038	WEIGHT: -
MATERIAL: -	FINISH: -	SIZE: A1	CAGE CODE: 6600330	CUSTOMER DRAWING

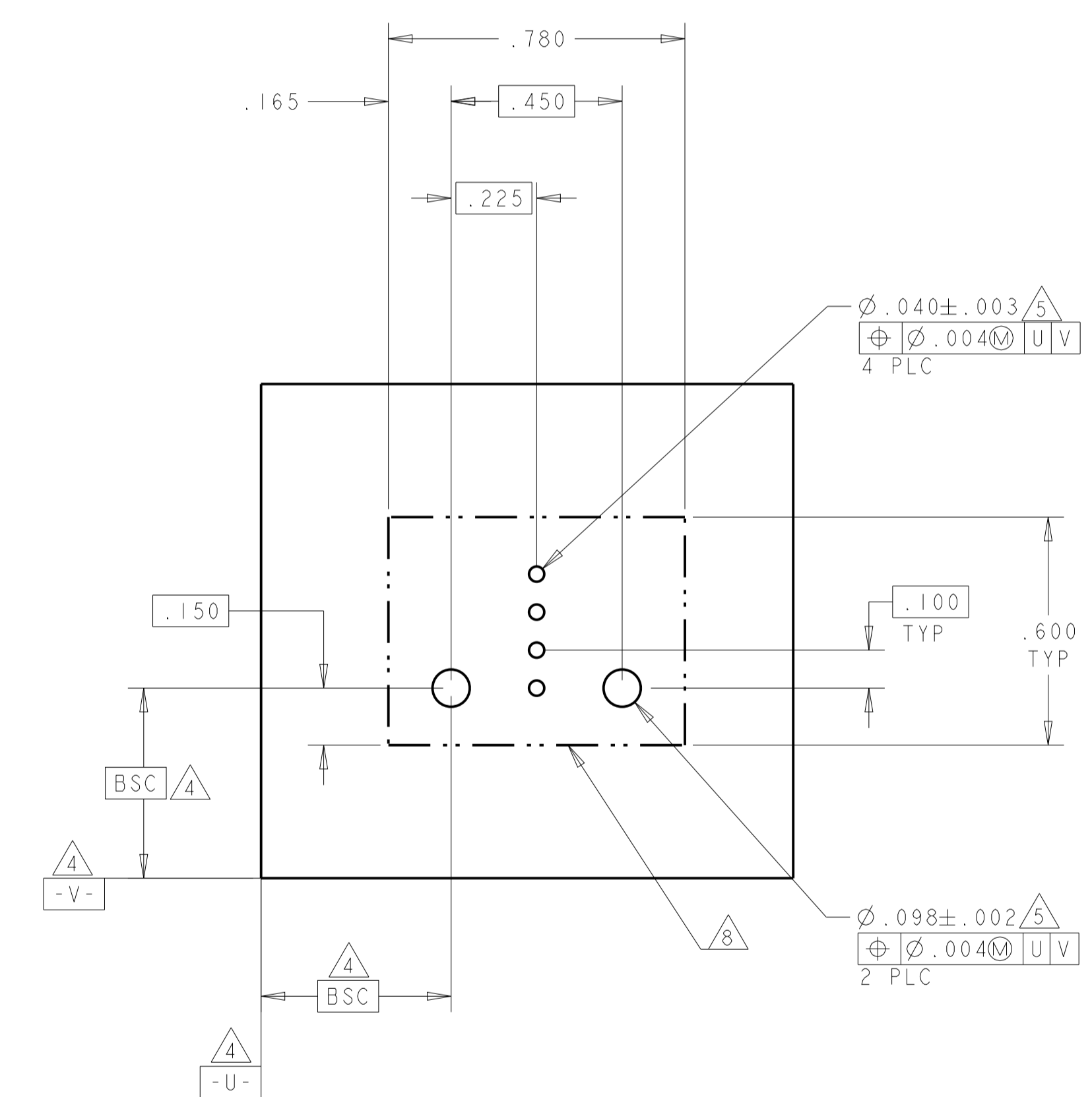
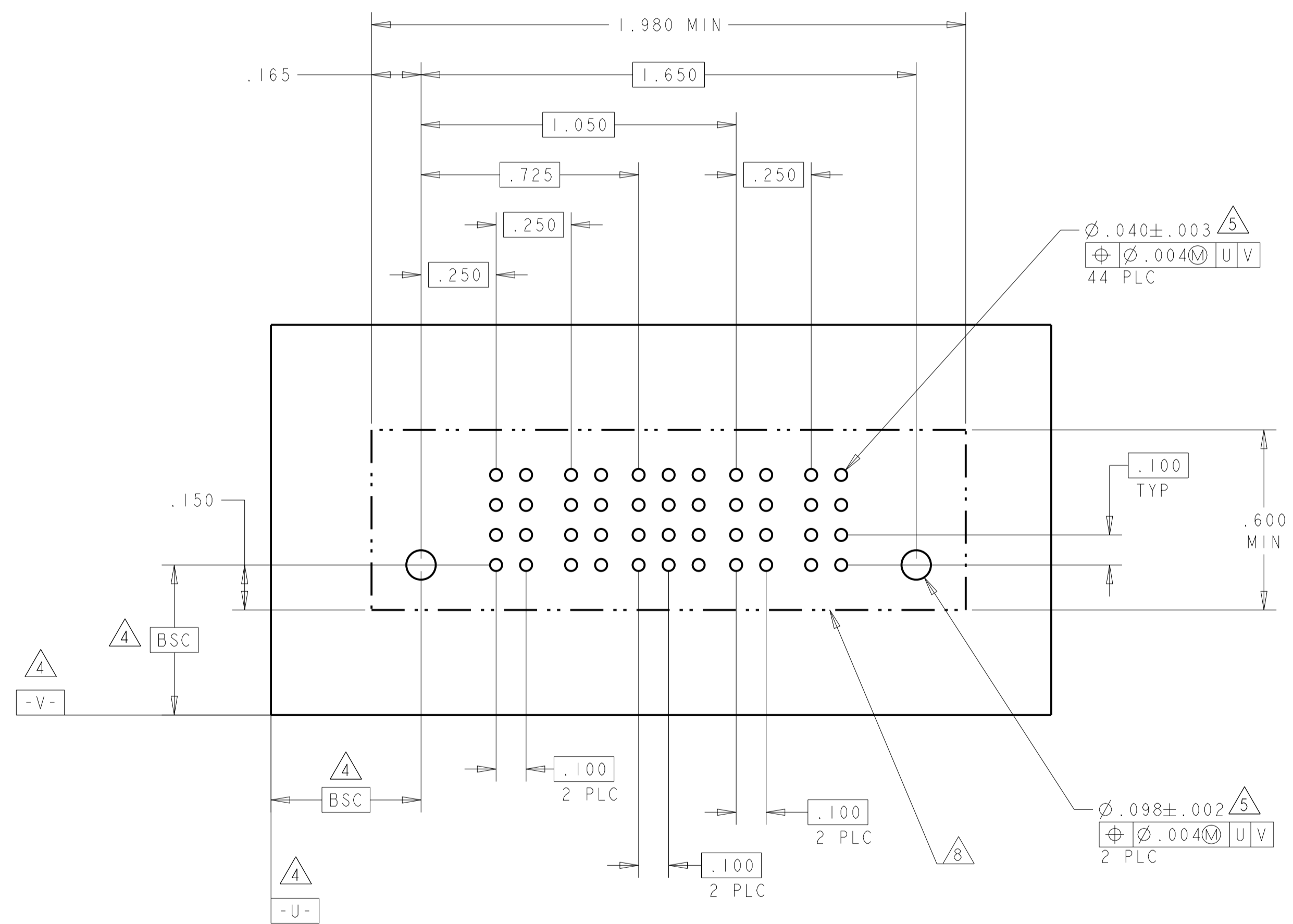
TE Connectivity
 VERTICAL HEADER ASSEMBLY W/ GUIDES AND SOLDER TAILS MULTI-BEAM XL
 SCALE: 4:1 SHEET 8 OF 10 REV J8

LOC	DIST	REV	DATE	BY	APPD
ES	00				
		REVISIONS			
		DESCRIPTION	DATE	BY	APPD
		SEE SHEET 1			

PART NUMBER	ROWS	POWER		SIGNAL			POWER	
		P1	P2	1	2	3	P3	P4
2-6600330-1	D	SZ	SZ	SV	SV	SV	SZ	SZ
	C			SV	SV	SV		
	B			SV	SV	SV		
	A			SV	SV	SV		
2P + 12S + 2P		HD					HD	

PART NUMBER	ROWS	SIGNAL	
		1	2
2-6600330-3	D	SV	
	C	SV	
	B	SV	
	A	SV	
4S		HD	HD

J3



THIS DRAWING IS A CONTROLLED DOCUMENT.

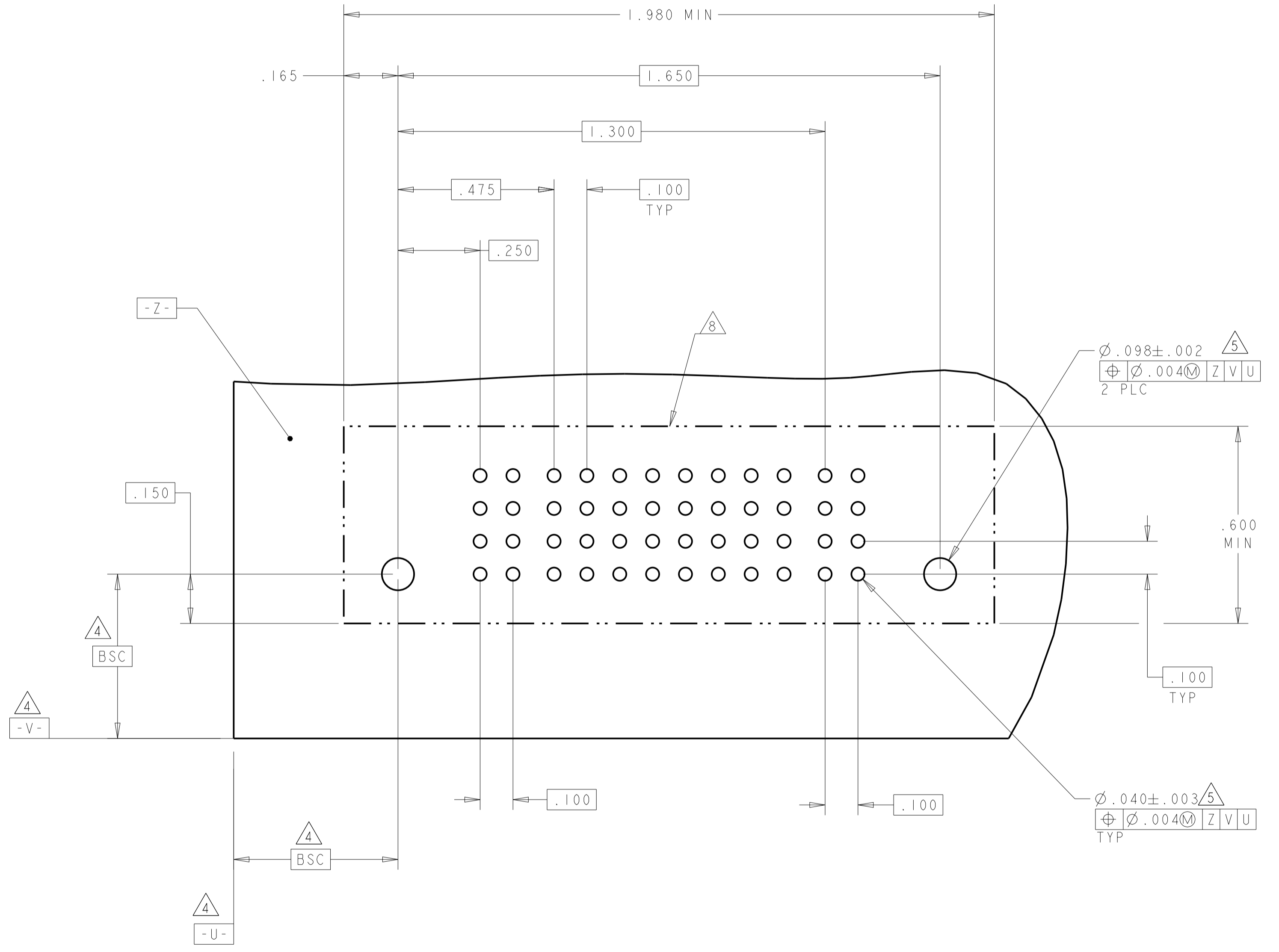
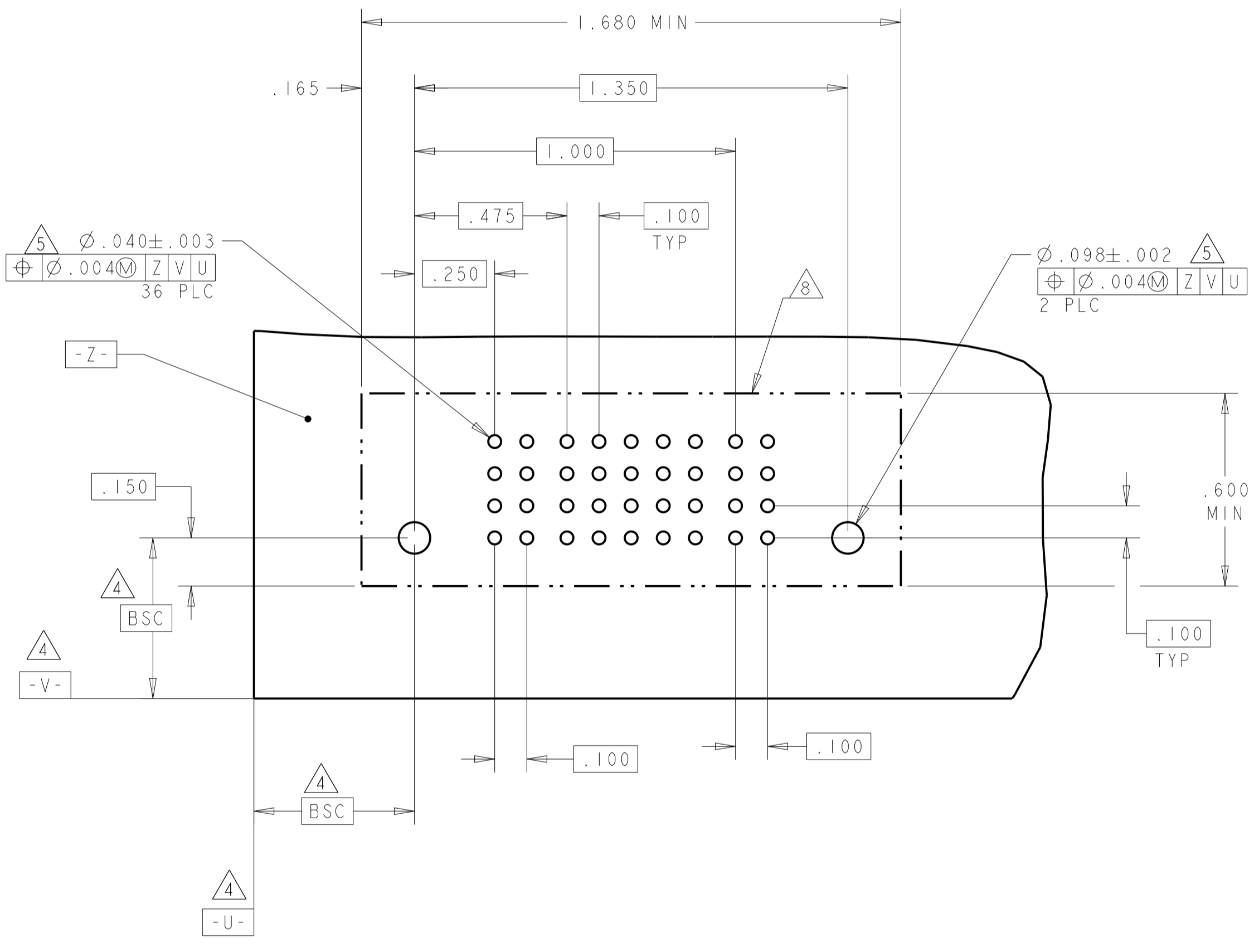
DIMENSIONS:	TOLERANCES UNLESS OTHERWISE SPECIFIED:	OWN: J. McCLINTON 22MAR2005	CHK: D. TROUT 22MAR2005	APVD: P. WHYNE 22MAR2005
INCH	0 PLC ± .005 1 PLC ± .005 2 PLC ± .005 3 PLC ± .005 4 PLC ± .005 ANGLES ± .0020	PRODUCT SPEC: 108-1973	APPLICATION SPEC: 114-13038	WEIGHT: -
MATERIAL: -	FINISH: -	SCALE: 4:1	SHEET: 9 OF 10	REV: J8

NAME: VERTICAL HEADER ASSEMBLY W/ GUIDES AND SOLDER TAILS MULTI-BEAM XL
 SIZE: A1
 CAGE CODE: 6600330
 CUSTOMER DRAWING

LOC	DIST	REV	DATE	BY	APPD
ES	00				
REVISIONS			DESCRIPTION	DATE	BY
			SEE SHEET 1		

PART NUMBER	ROWS	POWER	SIGNAL					POWER	
			PI	1	2	3	4		5
2-6600330-4	D	SZ	SZ	SV	SV	SV	SV	SV	SZ
	C			SV	SV	SV	SV	SV	
	B			SV	SV	SV	SV	SV	
	A			SV	SV	SV	SV	SV	
IP+20S+IP		HD						HD	

PART NUMBER	ROWS	POWER	SIGNAL								POWER		
			PI	1	2	3	4	5	6	7		8	P2
2-6600330-5	D	SZ	SZ	SV	SV	SV	SV	SV	SV	SV	SV	SV	SZ
	C			SV	SV	SV	SV	SV	SV	SV	SV		
	B			SV	SV	SV	SV	SV	SV	SV	SV		
	A			SV	SV	SV	SV	SV	SV	SV	SV		
IP+32S+IP		HD										HD	



THIS DRAWING IS A CONTROLLED DOCUMENT.

DIMENSIONS:	TOLERANCES UNLESS OTHERWISE SPECIFIED:	OWN	J. McCLINTON	22MAR2005
INCH	0 PLC ±	CHK	D. TROUT	22MAR2005
	1 PLC ±	APPD	P. WHYNE	22MAR2005
	2 PLC ±	PRODUCT SPEC		
	3 PLC ±	108-1973		
	4 PLC ±	APPLICATION SPEC		
	ANGLES ±	114-13038		
MATERIAL	FINISH	WEIGHT		

NAME: VERTICAL HEADER ASSEMBLY W/ GUIDES AND SOLDER TAILS MULTI-BEAM XL

SIZE: A1 CAGE CODE: 6600330 DRAWING NO: 100779

RESTRICTED TO: CUSTOMER DRAWING

SCALE: 4:1 SHEET 10 OF 10 REV J8

单击下面可查看定价，库存，交付和生命周期等信息

[>>TE Connectivity\(泰科\)](#)