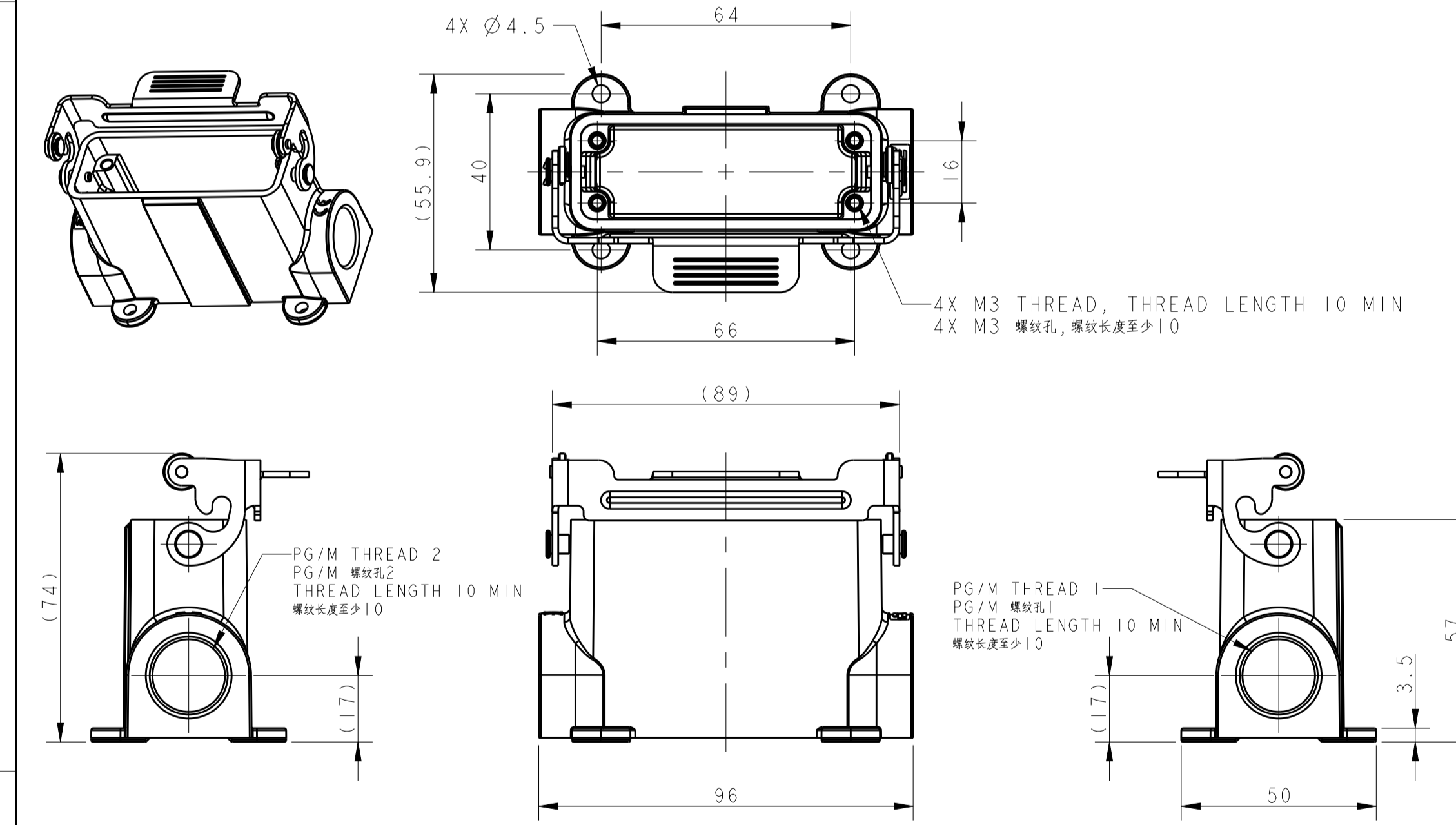


TYPE 1
H16A HOUSING, SURFACE MOUNTED, STEEL SINGLE LOCKING, POWDER COATED, GREY
类型 1
H16A下壳, 表面安装, 金属单扣, 灰色粉末喷涂

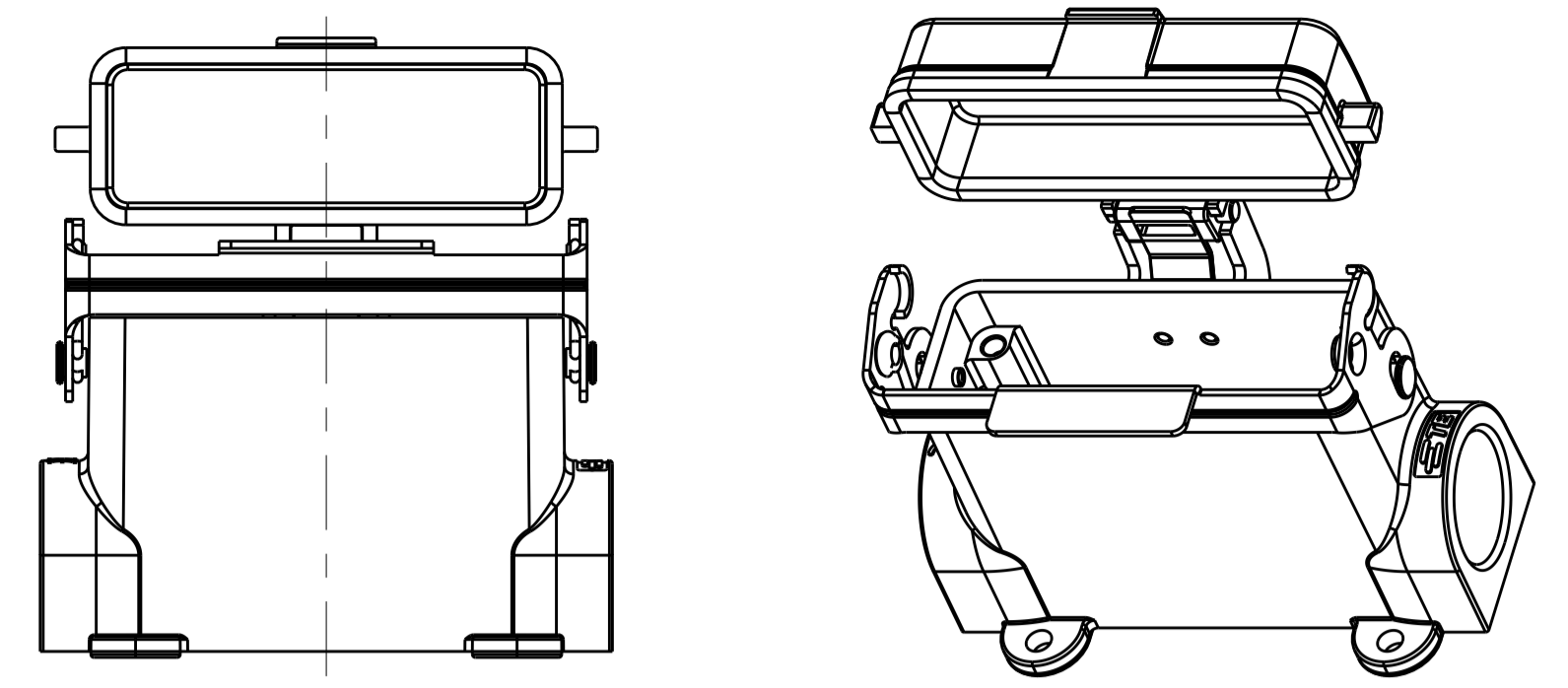
OBSELETE TYPE 1 PN
废弃类型1金属扣壳体料号



TYPE 4
H16A HOUSING, SURFACE MOUNTED, STAINLESS STEEL SINGLE LOCKING, POWDER COATED, GREY
类型 4
H16A下壳, 表面安装, 不锈钢单扣, 灰色粉末喷涂

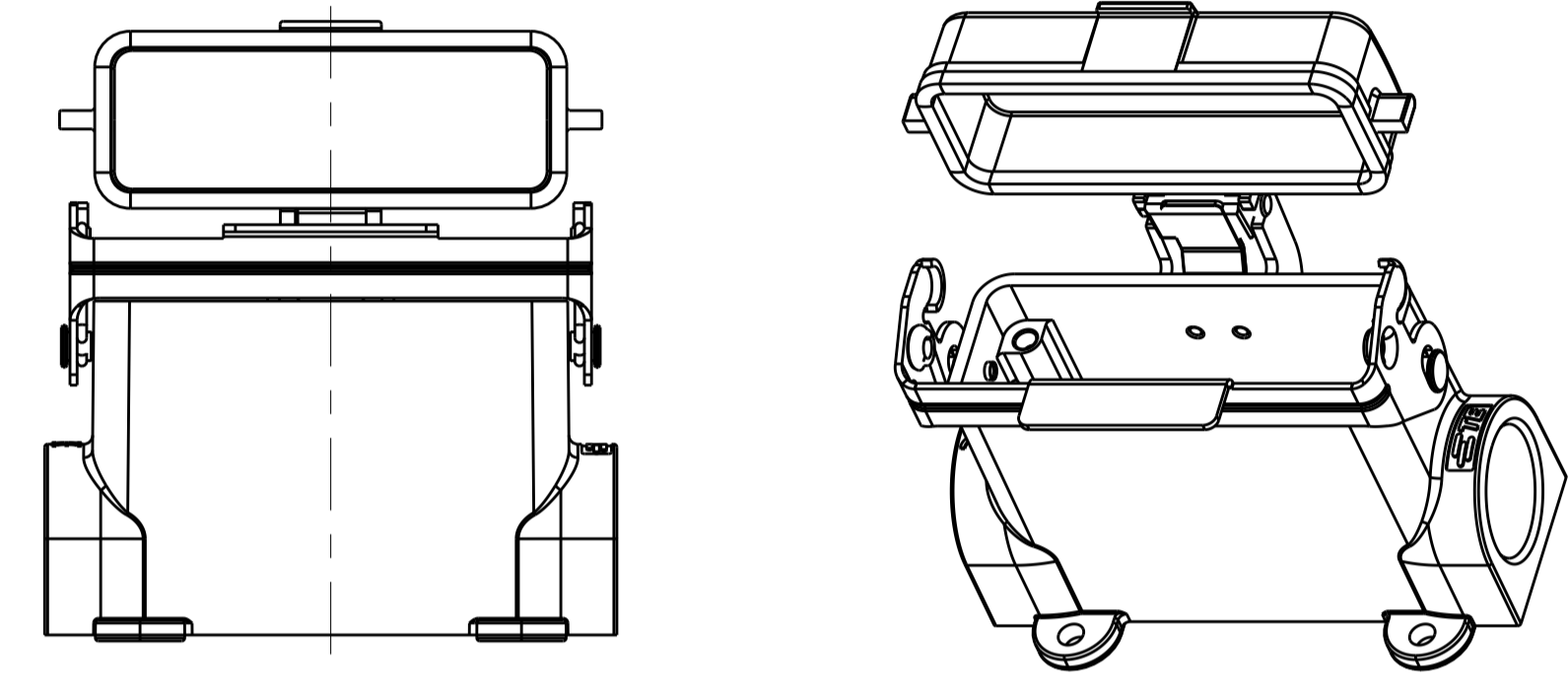
NOTES:
1. TECHNICAL CHARACTERISTICS:
BODY MATERIAL: DIE CAST ALUMINIUM ALLOY
SURFACE TREATMENT: POWDER COATED, GREY
DEGREE OF PROTECTION: IP65 (MATED)

注释:
1. 技术参数:
主体材料: 铝合金
表面处理: 灰色粉末喷涂
防护等级: IP65(配合)



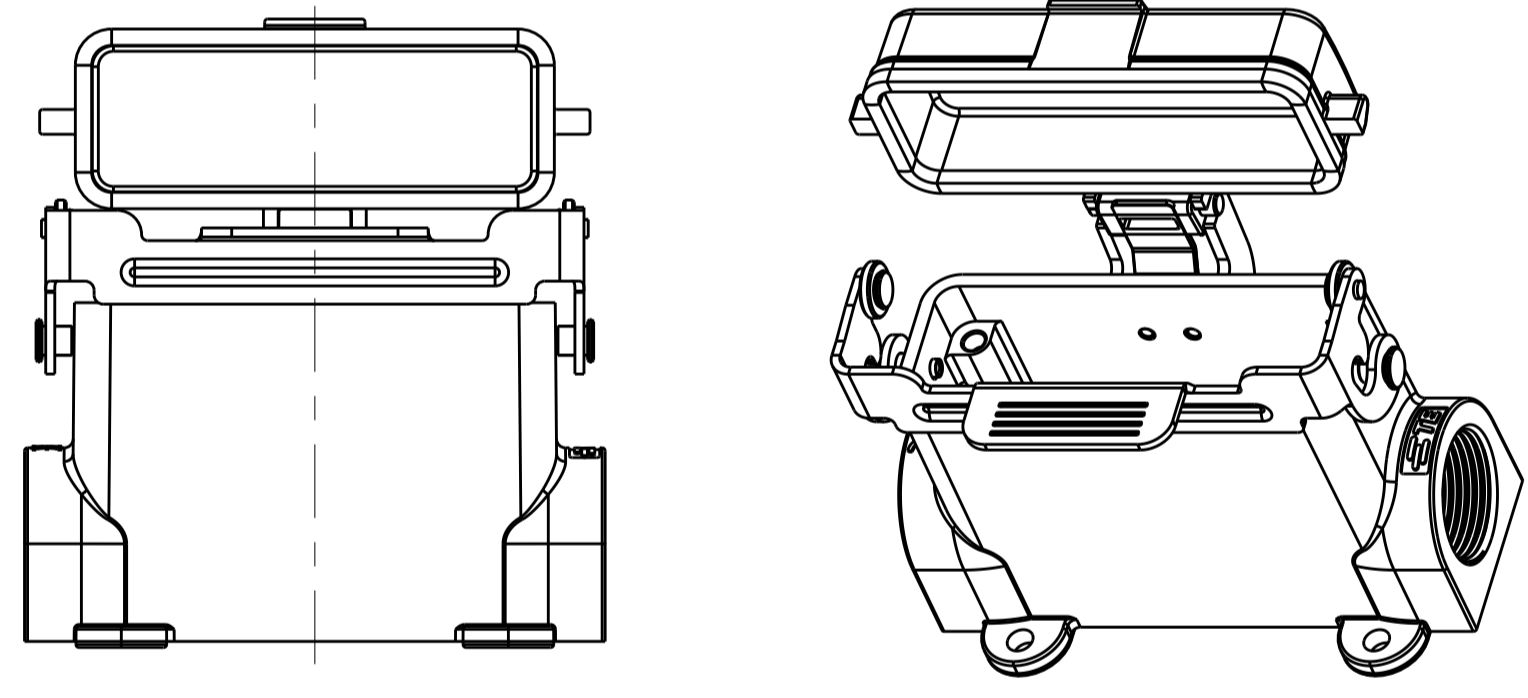
TYPE 2
H16A HOUSING, SURFACE MOUNTED, STEEL SINGLE LOCKING, ALUMINIUM ALLOY PROTECTION COVER, POWDER COATED, GREY
OTHER SPEC REFER TO TYPE 1
类型 2
H16A下壳, 表面安装, 金属单扣, 带铝合金保护盖, 灰色粉末喷涂
未标注规格参考类型1

OBSELETE TYPE 2 PN
废弃类型2金属扣壳体料号

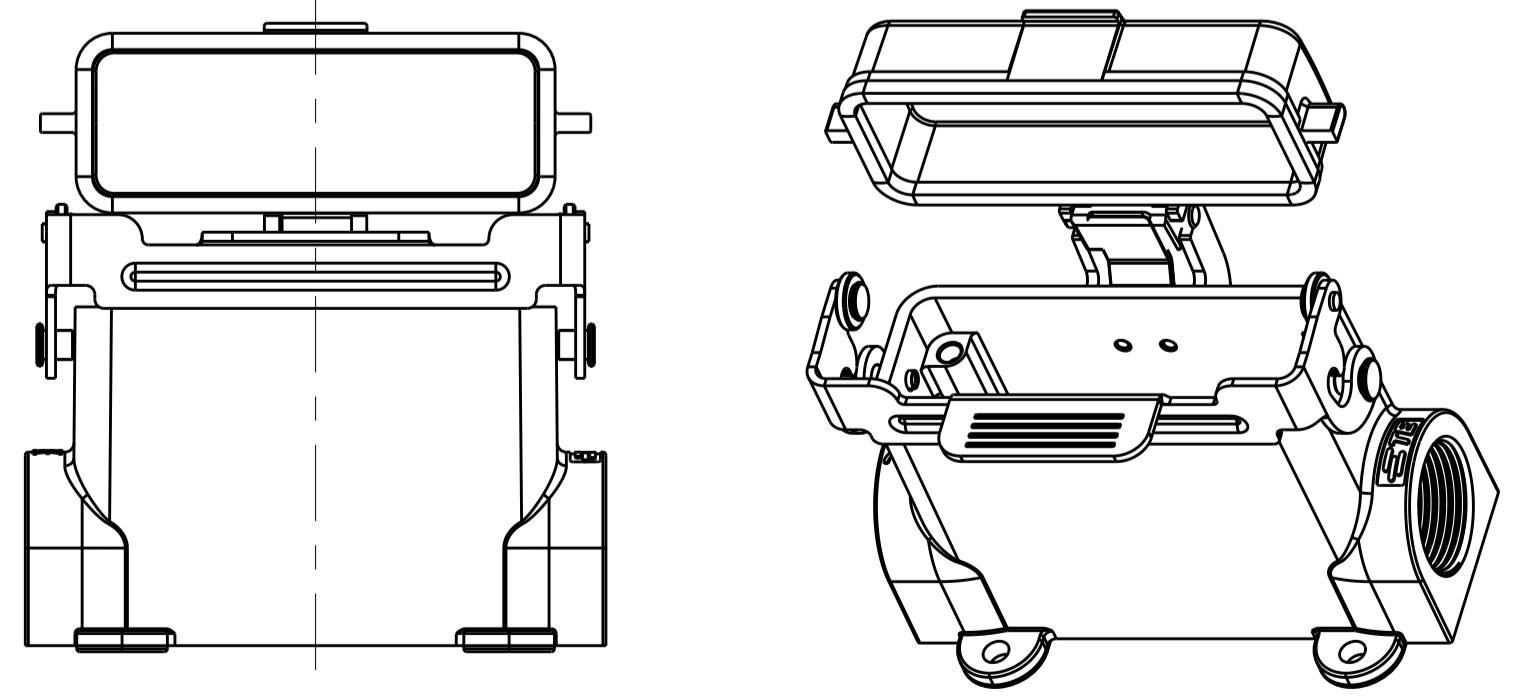


TYPE 3
H16A HOUSING, SURFACE MOUNTED, STEEL SINGLE LOCKING, PLASTIC PROTECTION COVER, POWDER COATED, GREY
OTHER SPEC REFER TO TYPE 1
类型 3
H16A下壳, 表面安装, 金属单扣, 带塑料保护盖, 灰色粉末喷涂
未标注规格参考类型1

OBSELETE TYPE 3 PN
废弃类型3金属扣壳体料号



TYPE 5
H16A HOUSING, SURFACE MOUNTED, STAINLESS STEEL SINGLE LOCKING, ALUMINIUM ALLOY PROTECTION COVER, POWDER COATED, GREY
OTHER SPEC REFER TO TYPE 4
类型 5
H16A下壳, 表面安装, 不锈钢单扣, 带铝合金保护盖, 灰色粉末喷涂
未标注规格参考类型4



TYPE 6
H16A HOUSING, SURFACE MOUNTED, STAINLESS STEEL SINGLE LOCKING, PLASTIC PROTECTION COVER, POWDER COATED, GREY
OTHER SPEC REFER TO TYPE 4
类型 6
H16A下壳, 表面安装, 不锈钢单扣, 带塑料保护盖, 灰色粉末喷涂
未标注规格参考类型4

REVISIONS				
P	LTN	DESCRIPTION	DATE	OWN APVD
A1	ECR-16-018055		19JAN2017	DL CW
A2	ECR-17-005386		08APR2017	CH CW
B	ECR-18-012608		14AUG2018	CH CW
C	ECR-20-009510		28DEC2020	BS CW

OBSELETE TYPE 1&2&3 PN
废弃类型1/类型2/类型3金属扣壳体料号

PART NUMBER	PART DESCRIPTION	PG/M THREAD 1 PG/M 螺紋孔1	PG/M THREAD 2 PG/M 螺紋孔2	TYPE 类型
T1619160116-000	H16A HOUSING, SURFACE MOUNTED, STEEL SINGLE LOCKING, PG16, POWDER COATED, GREY H16A下壳, 表面安装, 金属单扣, PG16, 灰色粉末喷涂			
T1619160120-000	H16A HOUSING, SURFACE MOUNTED, STEEL SINGLE LOCKING, M20, POWDER COATED, GREY H16A下壳, 表面安装, 金属单扣, M20, 灰色粉末喷涂			
T1619160121-000	H16A HOUSING, SURFACE MOUNTED, STEEL SINGLE LOCKING, PG21, POWDER COATED, GREY H16A下壳, 表面安装, 金属单扣, PG21, 灰色粉末喷涂			
T1619160125-000	H16A HOUSING, SURFACE MOUNTED, STEEL SINGLE LOCKING, M25, POWDER COATED, GREY H16A下壳, 表面安装, 金属单扣, M25, 灰色粉末喷涂			
T1619160216-000	H16A HOUSING, SURFACE MOUNTED, STEEL SINGLE LOCKING, 2PG16, POWDER COATED, GREY H16A下壳, 表面安装, 金属单扣, 2PG16, 灰色粉末喷涂		PG16	PG16
T1619160220-000	H16A HOUSING, SURFACE MOUNTED, STEEL SINGLE LOCKING, 2M20, POWDER COATED, GREY H16A下壳, 表面安装, 金属单扣, 2M20, 灰色粉末喷涂		M20	M20
T1619160221-000	H16A HOUSING, SURFACE MOUNTED, STEEL SINGLE LOCKING, 2PG21, POWDER COATED, GREY H16A下壳, 表面安装, 金属单扣, 2PG21, 灰色粉末喷涂		PG21	PG21
T1619160225-000	H16A HOUSING, SURFACE MOUNTED, STEEL SINGLE LOCKING, 2M25, POWDER COATED, GREY H16A下壳, 表面安装, 金属单扣, 2M25, 灰色粉末喷涂		M25	M25
T1629160116-000	H16A HOUSING, SURFACE MOUNTED, STEEL SINGLE LOCKING, PG16, ALUMINIUM ALLOY PROTECTION COVER, POWDER COATED, GREY H16A下壳, 表面安装, 金属单扣, PG16, 带铝合金保护盖, 灰色粉末喷涂			
T1629160120-000	H16A HOUSING, SURFACE MOUNTED, STEEL SINGLE LOCKING, M20, ALUMINIUM ALLOY PROTECTION COVER, POWDER COATED, GREY H16A下壳, 表面安装, 金属单扣, M20, 带铝合金保护盖, 灰色粉末喷涂			
T1629160121-000	H16A HOUSING, SURFACE MOUNTED, STEEL SINGLE LOCKING, PG21, ALUMINIUM ALLOY PROTECTION COVER, POWDER COATED, GREY H16A下壳, 表面安装, 金属单扣, PG21, 带铝合金保护盖, 灰色粉末喷涂			
T1629160125-000	H16A HOUSING, SURFACE MOUNTED, STEEL SINGLE LOCKING, M25, ALUMINIUM ALLOY PROTECTION COVER, POWDER COATED, GREY H16A下壳, 表面安装, 金属单扣, M25, 带铝合金保护盖, 灰色粉末喷涂			
T1629160216-000	H16A HOUSING, SURFACE MOUNTED, STEEL SINGLE LOCKING, 2PG16, ALUMINIUM ALLOY PROTECTION COVER, POWDER COATED, GREY H16A下壳, 表面安装, 金属单扣, 2PG16, 带铝合金保护盖, 灰色粉末喷涂		PG16	PG16
T1629160220-000	H16A HOUSING, SURFACE MOUNTED, STEEL SINGLE LOCKING, 2M20, ALUMINIUM ALLOY PROTECTION COVER, POWDER COATED, GREY H16A下壳, 表面安装, 金属单扣, 2M20, 带铝合金保护盖, 灰色粉末喷涂		M20	M20
T1629160221-000	H16A HOUSING, SURFACE MOUNTED, STEEL SINGLE LOCKING, 2PG21, ALUMINIUM ALLOY PROTECTION COVER, POWDER COATED, GREY H16A下壳, 表面安装, 金属单扣, 2PG21, 带铝合金保护盖, 灰色粉末喷涂		PG21	PG21
T1629160225-000	H16A HOUSING, SURFACE MOUNTED, STEEL SINGLE LOCKING, 2M25, ALUMINIUM ALLOY PROTECTION COVER, POWDER COATED, GREY H16A下壳, 表面安装, 金属单扣, 2M25, 带铝合金保护盖, 灰色粉末喷涂		M25	M25
T1629162116-000	H16A HOUSING, SURFACE MOUNTED, STEEL SINGLE LOCKING, PG16, PLASTIC PROTECTION COVER, POWDER COATED, GREY H16A下壳, 表面安装, 金属单扣, PG16, 带塑料保护盖, 灰色粉末喷涂			
T1629162120-000	H16A HOUSING, SURFACE MOUNTED, STEEL SINGLE LOCKING, M20, PLASTIC PROTECTION COVER, POWDER COATED, GREY H16A下壳, 表面安装, 金属单扣, M20, 带塑料保护盖, 灰色粉末喷涂			
T1629162121-000	H16A HOUSING, SURFACE MOUNTED, STEEL SINGLE LOCKING, PG21, PLASTIC PROTECTION COVER, POWDER COATED, GREY H16A下壳, 表面安装, 金属单扣, PG21, 带塑料保护盖, 灰色粉末喷涂			
T1629162125-000	H16A HOUSING, SURFACE MOUNTED, STEEL SINGLE LOCKING, M25, PLASTIC PROTECTION COVER, POWDER COATED, GREY H16A下壳, 表面安装, 金属单扣, M25, 带塑料保护盖, 灰色粉末喷涂			
T1629162216-000	H16A HOUSING, SURFACE MOUNTED, STEEL SINGLE LOCKING, 2PG16, PLASTIC PROTECTION COVER, POWDER COATED, GREY H16A下壳, 表面安装, 金属单扣, 2PG16, 带塑料保护盖, 灰色粉末喷涂		PG16	PG16
T1629162220-000	H16A HOUSING, SURFACE MOUNTED, STEEL SINGLE LOCKING, 2M20, PLASTIC PROTECTION COVER, POWDER COATED, GREY H16A下壳, 表面安装, 金属单扣, 2M20, 带塑料保护盖, 灰色粉末喷涂		M20	M20
T1629162221-000	H16A HOUSING, SURFACE MOUNTED, STEEL SINGLE LOCKING, 2PG21, PLASTIC PROTECTION COVER, POWDER COATED, GREY H16A下壳, 表面安装, 金属单扣, 2PG21, 带塑料保护盖, 灰色粉末喷涂		PG21	PG21
T1629162225-000	H16A HOUSING, SURFACE MOUNTED, STEEL SINGLE LOCKING, 2M25, PLASTIC PROTECTION COVER, POWDER COATED, GREY H16A下壳, 表面安装, 金属单扣, 2M25, 带塑料保护盖, 灰色粉末喷涂		M25	M25

TYPE 1

TYPE 2

TYPE 3

THIS DRAWING IS A CONTROLLED DOCUMENT.


<p>DAVID LI 08MAY2015</p> <p>CHRIS WANG 08MAY2015</p> <p>YI LANG YU 08MAY2015</p>	<p>NAME: H16A-SGR*/SDRM*/SDR*-PG/M</p> <p>PRODUCT SPEC: 108-137010</p> <p>APPLICATION SPEC: 114-137010</p> <p>WEIGHT: -</p> <p>CUSTOMER DRAWING</p>	<p>SCALE: 4:5</p> <p>SHEET 1 OF 2</p> <p>REV C</p>
---	---	--

STE TE Connectivity

REVISIONS				
REV	LTN	DESCRIPTION	DATE	APPV
-	-	SEE SHEET 1	-	-

NOTES:
SEE SHEET 1

PART NUMBER	料号	PART DESCRIPTION	描述	PG/M THREAD 1 PG/M 螺紋孔1	PG/M THREAD 2 PG/M 螺紋孔2	TYPE 类型
TI619161116-000	HI6A-SGRS-PG16	HI6A HOUSING, SURFACE MOUNTED, STAINLESS STEEL SINGLE LOCKING, PG16, POWDER COATED, GREY HI6A下壳, 表面安装, 不锈钢单扣, PG16, 灰色粉末喷涂		PG16	-	TYPE 4
TI619161120-000	HI6A-SGRS-M20	HI6A HOUSING, SURFACE MOUNTED, STAINLESS STEEL SINGLE LOCKING, M20, POWDER COATED, GREY HI6A下壳, 表面安装, 不锈钢单扣, M20, 灰色粉末喷涂		M20	-	
TI619161121-000	HI6A-SGRS-PG21	HI6A HOUSING, SURFACE MOUNTED, STAINLESS STEEL SINGLE LOCKING, PG21, POWDER COATED, GREY HI6A下壳, 表面安装, 不锈钢单扣, PG21, 灰色粉末喷涂		PG21	-	
TI619161125-000	HI6A-SGRS-M25	HI6A HOUSING, SURFACE MOUNTED, STAINLESS STEEL SINGLE LOCKING, M25, POWDER COATED, GREY HI6A下壳, 表面安装, 不锈钢单扣, M25, 灰色粉末喷涂		M25	-	
TI619161216-000	HI6A-SGRS-2PG16	HI6A HOUSING, SURFACE MOUNTED, STAINLESS STEEL SINGLE LOCKING, 2PG16, POWDER COATED, GREY HI6A下壳, 表面安装, 不锈钢单扣, 2PG16, 灰色粉末喷涂		PG16	PG16	
TI619161220-000	HI6A-SGRS-2M20	HI6A HOUSING, SURFACE MOUNTED, STAINLESS STEEL SINGLE LOCKING, 2M20, POWDER COATED, GREY HI6A下壳, 表面安装, 不锈钢单扣, 2M20, 灰色粉末喷涂		M20	M20	
TI619161221-000	HI6A-SGRS-2PG21	HI6A HOUSING, SURFACE MOUNTED, STAINLESS STEEL SINGLE LOCKING, 2PG21, POWDER COATED, GREY HI6A下壳, 表面安装, 不锈钢单扣, 2PG21, 灰色粉末喷涂		PG21	PG21	TYPE 5
TI619161225-000	HI6A-SGRS-2M25	HI6A HOUSING, SURFACE MOUNTED, STAINLESS STEEL SINGLE LOCKING, 2M25, POWDER COATED, GREY HI6A下壳, 表面安装, 不锈钢单扣, 2M25, 灰色粉末喷涂		M25	M25	
TI629161116-000	HI6A-SDRMS-PG16	HI6A HOUSING, SURFACE MOUNTED, STAINLESS STEEL SINGLE LOCKING, PG16, ALUMINIUM ALLOY PROTECTION COVER, POWDER COATED, GREY HI6A下壳, 表面安装, 不锈钢单扣, PG16, 带铝合金保护层, 灰色粉末喷涂		PG16	-	
TI629161120-000	HI6A-SDRMS-M20	HI6A HOUSING, SURFACE MOUNTED, STAINLESS STEEL SINGLE LOCKING, M20, ALUMINIUM ALLOY PROTECTION COVER, POWDER COATED, GREY HI6A下壳, 表面安装, 不锈钢单扣, M20, 带铝合金保护层, 灰色粉末喷涂		M20	-	
TI629161121-000	HI6A-SDRMS-PG21	HI6A HOUSING, SURFACE MOUNTED, STAINLESS STEEL SINGLE LOCKING, PG21, ALUMINIUM ALLOY PROTECTION COVER, POWDER COATED, GREY HI6A下壳, 表面安装, 不锈钢单扣, PG21, 带铝合金保护层, 灰色粉末喷涂		PG21	-	
TI629161125-000	HI6A-SDRMS-M25	HI6A HOUSING, SURFACE MOUNTED, STAINLESS STEEL SINGLE LOCKING, M25, ALUMINIUM ALLOY PROTECTION COVER, POWDER COATED, GREY HI6A下壳, 表面安装, 不锈钢单扣, M25, 带铝合金保护层, 灰色粉末喷涂		M25	-	
TI629161216-000	HI6A-SDRMS-2PG16	HI6A HOUSING, SURFACE MOUNTED, STAINLESS STEEL SINGLE LOCKING, 2PG16, ALUMINIUM ALLOY PROTECTION COVER, POWDER COATED, GREY HI6A下壳, 表面安装, 不锈钢单扣, 2PG16, 带铝合金保护层, 灰色粉末喷涂		PG16	PG16	TYPE 6
TI629161220-000	HI6A-SDRMS-2M20	HI6A HOUSING, SURFACE MOUNTED, STAINLESS STEEL SINGLE LOCKING, 2M20, ALUMINIUM ALLOY PROTECTION COVER, POWDER COATED, GREY HI6A下壳, 表面安装, 不锈钢单扣, 2M20, 带铝合金保护层, 灰色粉末喷涂		M20	M20	
TI629161221-000	HI6A-SDRMS-2PG21	HI6A HOUSING, SURFACE MOUNTED, STAINLESS STEEL SINGLE LOCKING, 2PG21, ALUMINIUM ALLOY PROTECTION COVER, POWDER COATED, GREY HI6A下壳, 表面安装, 不锈钢单扣, 2PG21, 带铝合金保护层, 灰色粉末喷涂		PG21	PG21	
TI629161225-000	HI6A-SDRMS-2M25	HI6A HOUSING, SURFACE MOUNTED, STAINLESS STEEL SINGLE LOCKING, 2M25, ALUMINIUM ALLOY PROTECTION COVER, POWDER COATED, GREY HI6A下壳, 表面安装, 不锈钢单扣, 2M25, 带铝合金保护层, 灰色粉末喷涂		M25	M25	
TI629163116-000	HI6A-SDRS-PG16	HI6A HOUSING, SURFACE MOUNTED, STAINLESS STEEL SINGLE LOCKING, PG16, PLASTIC PROTECTION COVER, POWDER COATED, GREY HI6A下壳, 表面安装, 不锈钢单扣, PG16, 带塑料保护层, 灰色粉末喷涂		PG16	-	
TI629163120-000	HI6A-SDRS-M20	HI6A HOUSING, SURFACE MOUNTED, STAINLESS STEEL SINGLE LOCKING, M20, PLASTIC PROTECTION COVER, POWDER COATED, GREY HI6A下壳, 表面安装, 不锈钢单扣, M20, 带塑料保护层, 灰色粉末喷涂		M20	-	
TI629163121-000	HI6A-SDRS-PG21	HI6A HOUSING, SURFACE MOUNTED, STAINLESS STEEL SINGLE LOCKING, PG21, PLASTIC PROTECTION COVER, POWDER COATED, GREY HI6A下壳, 表面安装, 不锈钢单扣, PG21, 带塑料保护层, 灰色粉末喷涂		PG21	-	TYPE 6
TI629163125-000	HI6A-SDRS-M25	HI6A HOUSING, SURFACE MOUNTED, STAINLESS STEEL SINGLE LOCKING, M25, PLASTIC PROTECTION COVER, POWDER COATED, GREY HI6A下壳, 表面安装, 不锈钢单扣, M25, 带塑料保护层, 灰色粉末喷涂		M25	-	
TI629163216-000	HI6A-SDRS-2PG16	HI6A HOUSING, SURFACE MOUNTED, STAINLESS STEEL SINGLE LOCKING, 2PG16, PLASTIC PROTECTION COVER, POWDER COATED, GREY HI6A下壳, 表面安装, 不锈钢单扣, 2PG16, 带塑料保护层, 灰色粉末喷涂		PG16	PG16	
TI629163220-000	HI6A-SDRS-2M20	HI6A HOUSING, SURFACE MOUNTED, STAINLESS STEEL SINGLE LOCKING, 2M20, PLASTIC PROTECTION COVER, POWDER COATED, GREY HI6A下壳, 表面安装, 不锈钢单扣, 2M20, 带塑料保护层, 灰色粉末喷涂		M20	M20	
TI629163221-000	HI6A-SDRS-2PG21	HI6A HOUSING, SURFACE MOUNTED, STAINLESS STEEL SINGLE LOCKING, 2PG21, PLASTIC PROTECTION COVER, POWDER COATED, GREY HI6A下壳, 表面安装, 不锈钢单扣, 2PG21, 带塑料保护层, 灰色粉末喷涂		PG21	PG21	
TI629163225-000	HI6A-SDRS-2M25	HI6A HOUSING, SURFACE MOUNTED, STAINLESS STEEL SINGLE LOCKING, 2M25, PLASTIC PROTECTION COVER, POWDER COATED, GREY HI6A下壳, 表面安装, 不锈钢单扣, 2M25, 带塑料保护层, 灰色粉末喷涂		M25	M25	

THIS DRAWING IS A CONTROLLED DOCUMENT.		OWN DAVID LI 08MAY2015	 TE Connectivity
DIMENSIONS: mm		CHK CHRIS WANG 08MAY2015	
TOLERANCES UNLESS OTHERWISE SPECIFIED: 0 PLC ± 2 PLC ± 3 PLC ± 4 PLC ± ANGLES ±		APVD XILANG YU 08MAY2015 PRODUCT SPEC 108-137010 APPLICATION SPEC 114-137010 WEIGHT - CUSTOMER DRAWING	
MATERIAL		NAME HI6A-SGR*/SDRM*/SDR*-PG/M	SIZE A1 CAGE CODE - DRAWING NO. C-T16X916XXXX000 RESTRICTED TO SCALE 4:5 SHEET 2 OF 2 REV C

单击下面可查看定价，库存，交付和生命周期等信息

[>>TE Connectivity\(泰科\)](#)