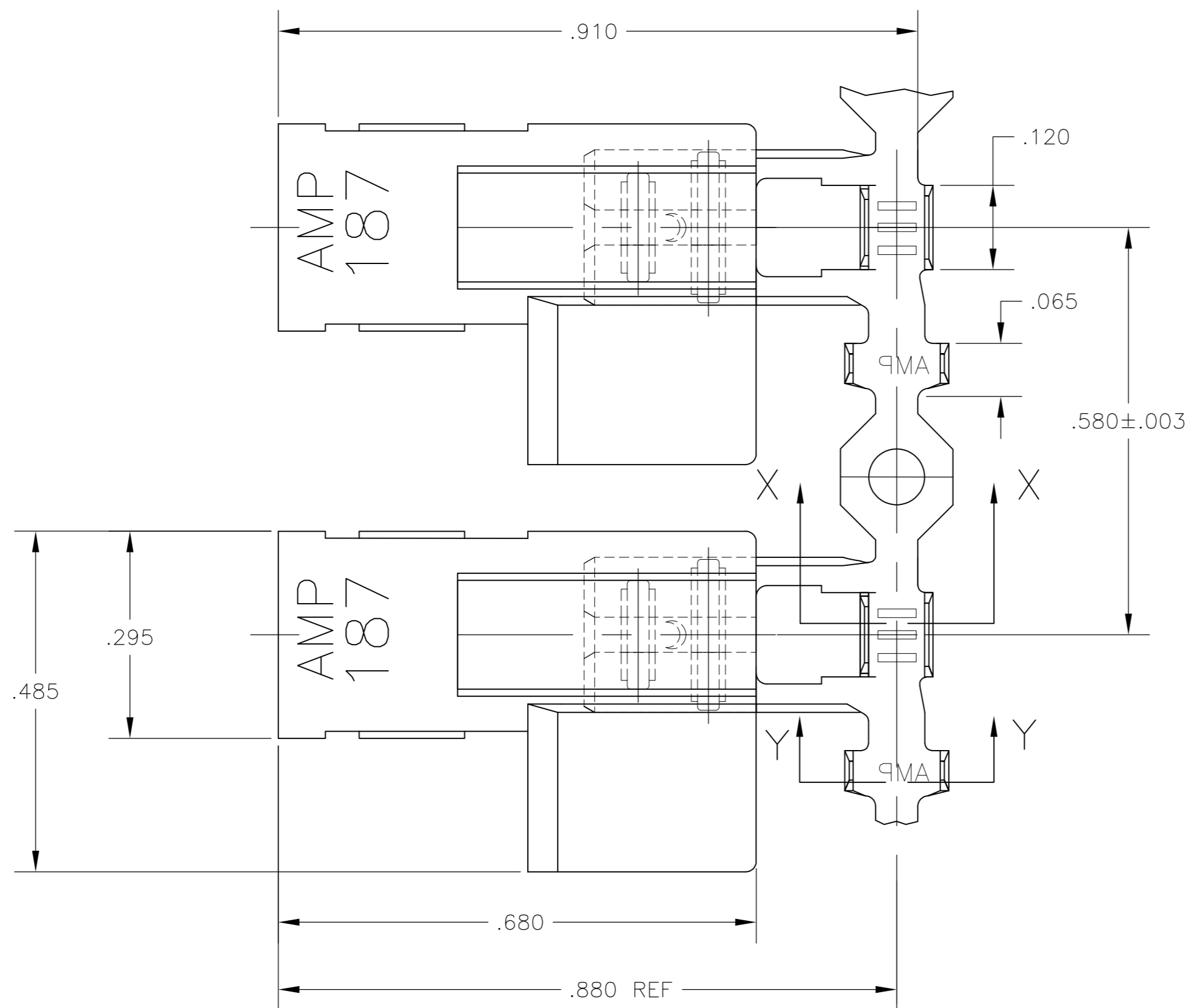
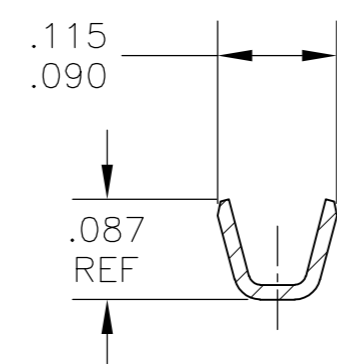


THIS DRAWING IS UNPUBLISHED. RELEASED FOR PUBLICATION
 © COPYRIGHT - By - ALL RIGHTS RESERVED.

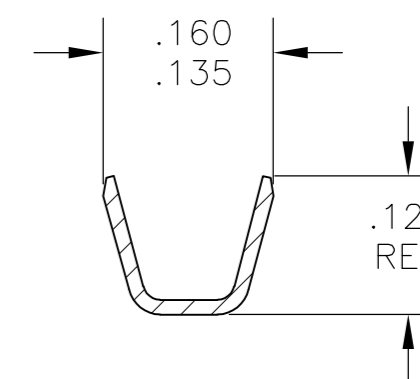
LOC	DIST	REVISIONS			
P	LTR	DESCRIPTION	DATE	DWN	APVD
AF	50	B	REVISED PER ECR-12-013062	17DEC12	KH KR



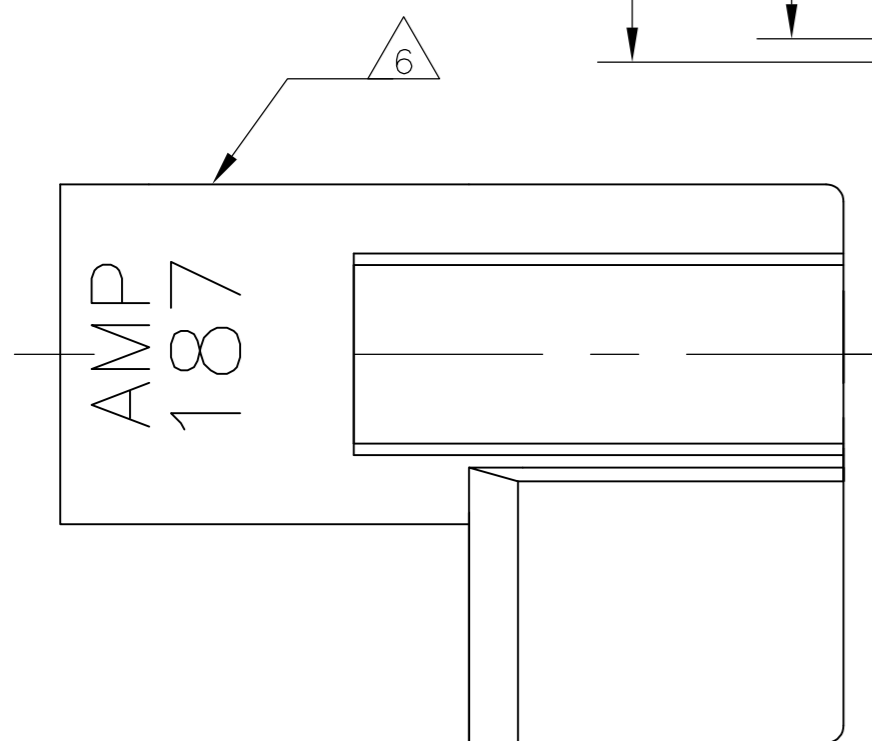
- 2 WIRE SIZE IS #22-#18 AWG
- 3 INSULATION RANGE IS .060-.110 DIA
- 4 MATERIAL;
TERMINAL: BRASS, FINISH: SEE TABLE
HOUSING: V2 NYLON, COLOR: NATURAL(WHITE)
- 5 FITS .187 X .020 THK FASTON TAB
- 6 ALTERNATIVE HOUSING FORM
- 7 PRELIMINARY - NOT FOR PRODUCTION
- 8 GLOW WIRE APPROVED; CONTACT TE ENGINEERING FOR SPECIFICATION (ALL WALL THICKNESSES ARE BETWEEN 0.4-3.0[.015-.118])



SECTION X-X



SECTION Y-Y



THIS DRAWING IS A CONTROLLED DOCUMENT.		DWN RAGHAVENDRA 03APR2007	.000040 MIN TIN PLATE		8 1969106-2
DIMENSIONS: INCHES		CHK G D PORTA 03APR2007	NO PLATING		7 1969106-1
TOLERANCES UNLESS OTHERWISE SPECIFIED:		APVD G D PORTA 03APR2007	TERMINAL: FINISH		PART NO.
0 PLC ± -		PRODUCT SPEC			
1 PLC ± -		APPLICATION SPEC			
2 PLC ± -		WEIGHT -	ASSEMBLY, RECPT, FLAG, ULTRA-POD, .187 SERIES		
3 PLC ± .010		CUSTOMER DRAWING	WIRE SIZE: 22-18 AWG		
4 PLC ± -		SCALE 6:1	SHEET 1 of 1		
ANGLES ± -		RESTRICTED TO	-		
FINISH		SIZE A2	CAGE CODE 00779		
SEE NOTES		DRAWING NO C=1969106	REV B		

单击下面可查看定价，库存，交付和生命周期等信息

[>>TE Connectivity\(泰科\)](#)