

4

3

2

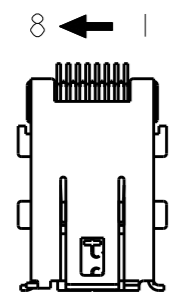
1

THIS DRAWING IS UNPUBLISHED. RELEASED FOR PUBLICATION

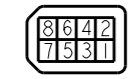
© COPYRIGHT - BY - ALL RIGHTS RESERVED.

REVISIONS

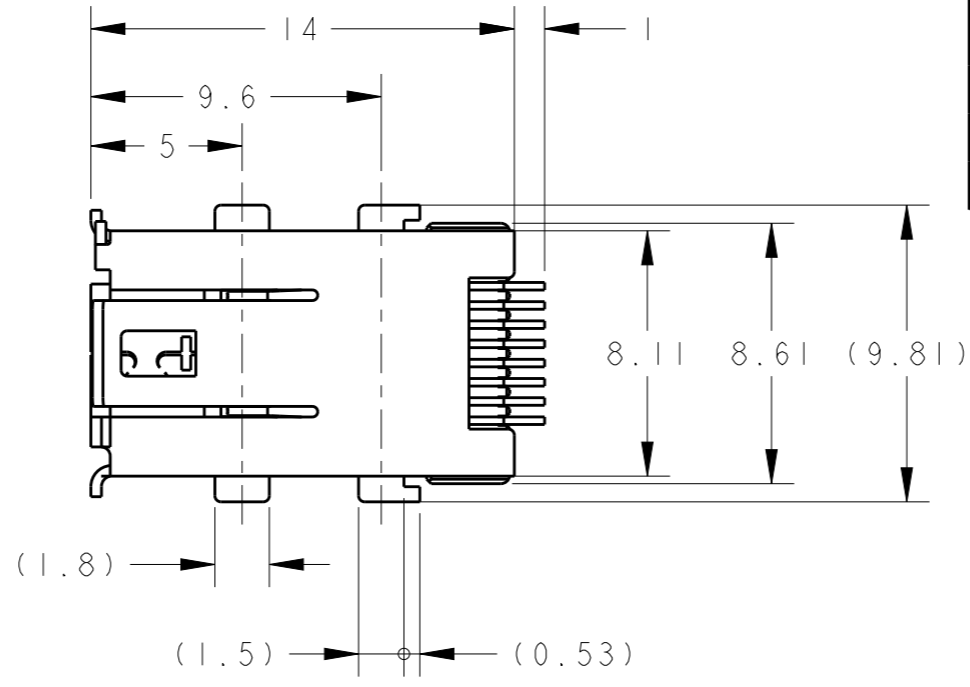
P	LTR	DESCRIPTION	DATE	DWN	APVD
	A	RELEASED	13NOV2007	S.I	I.H
	AI	REVISED	30MAY2008	S.I	I.H
	B	REVISED PER ECR-17-014980	01MAY2018	TS	EI



D-SHAPE TYPE I



CIRCUIT NO.



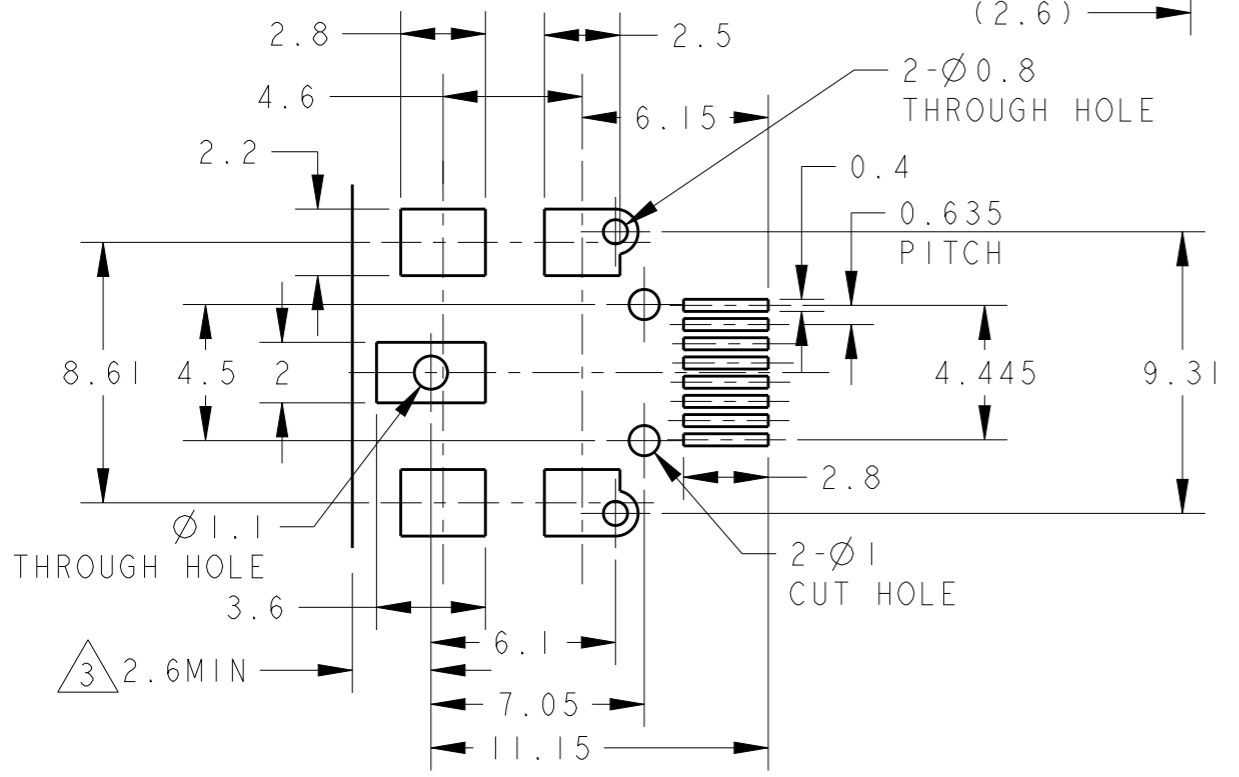
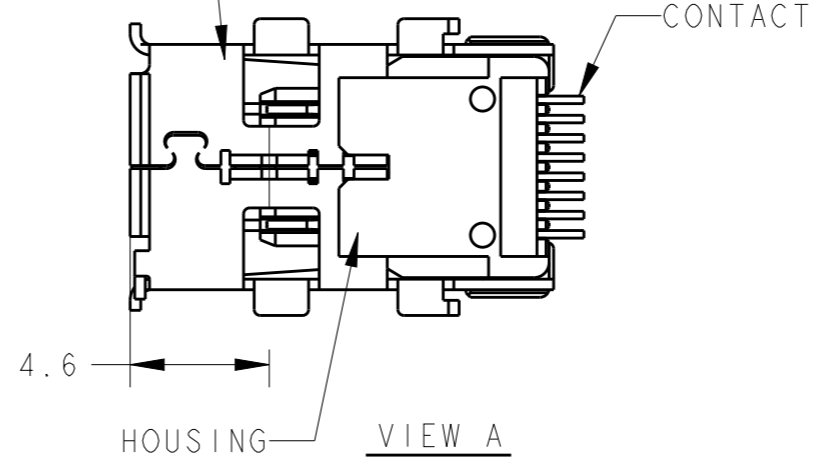
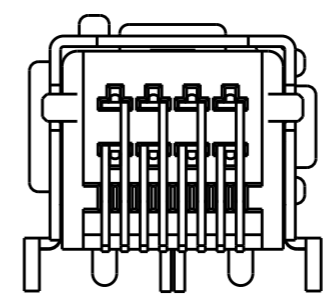
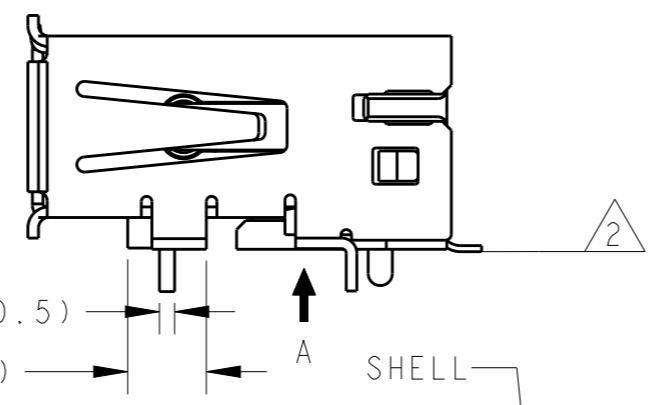
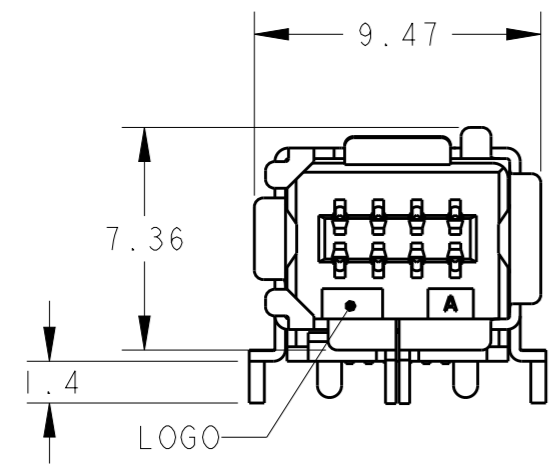
1 MATERIAL AND FINISH
 CONTACT
 COPPER ALLOY
 UNDER ALL SURFACE Ni 1.27μm MIN
 TOP CONTACT AREA Au 0.5μm MIN
 SOLDERING AREA Au FLASH

HOUSING
 THERMO PLASTIC(UL94V-0)

SHELL
 COPPER ALLOY
 UNDER ALL SURFACE Ni
 TOP ALL SURFACE Sn

2 COPLANARITY 0.1 MAX(TOP OF LEAD)

3 DIMENSION DECIDED BY CUSTOMER.



RECOMMENDED BOARD DIMENSION
 (CONNECTOR SIDE) ±1.6
 TOLERANCE ±0.05

THIS DRAWING IS A CONTROLLED DOCUMENT.

DIMENSIONS:	TOLERANCES UNLESS OTHERWISE SPECIFIED:
mm	±0.2
0 PLC	±
1 PLC	±
2 PLC	±
3 PLC	±
4 PLC	±
ANGLES	±
FINISH	

DWN	S. INOMATA	13NOV2007
CHK	I. HASAGAWA	13NOV2007
APVD	I. HASAGAWA	13NOV2007
PRODUCT SPEC	108-78405	
APPLICATION SPEC	114-32132	
WEIGHT	-	
CUSTOMER DRAWING		

TRAY (SEE SHEET 2 OF 2)		1981080-1
PACKAGING STYLE		PART NO.
STE TE Connectivity		
NAME INDUSTRIAL MINI I/O CONN. 1.27MM PITCH 8P HDR ASSY D-SHAPE TYPE I		
SIZE	CAGE CODE	DRAWING NO
A3	-	C-1981080
RESTRICTED TO		
SCALE	SHEET	REV
4:1	1 OF 2	B

4

3

2

1

THIS DRAWING IS UNPUBLISHED. RELEASED FOR PUBLICATION
 © COPYRIGHT - BY - ALL RIGHTS RESERVED.

REVISIONS					
P	LTR	DESCRIPTION	DATE	DWN	APVD
-	-	SEE SHEET 1	-	-	-

D

C

B

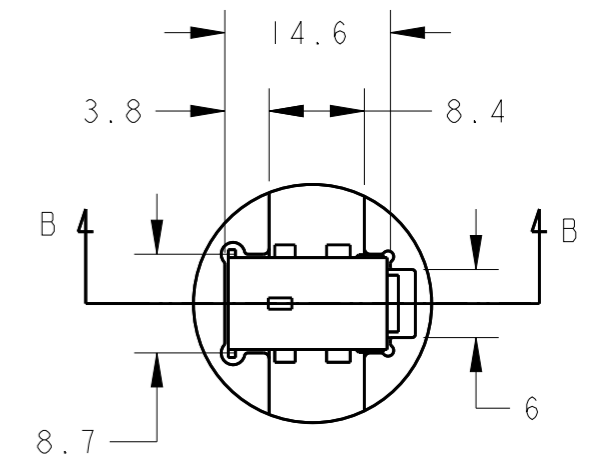
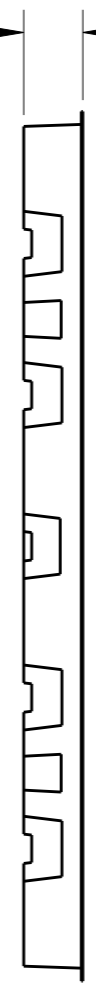
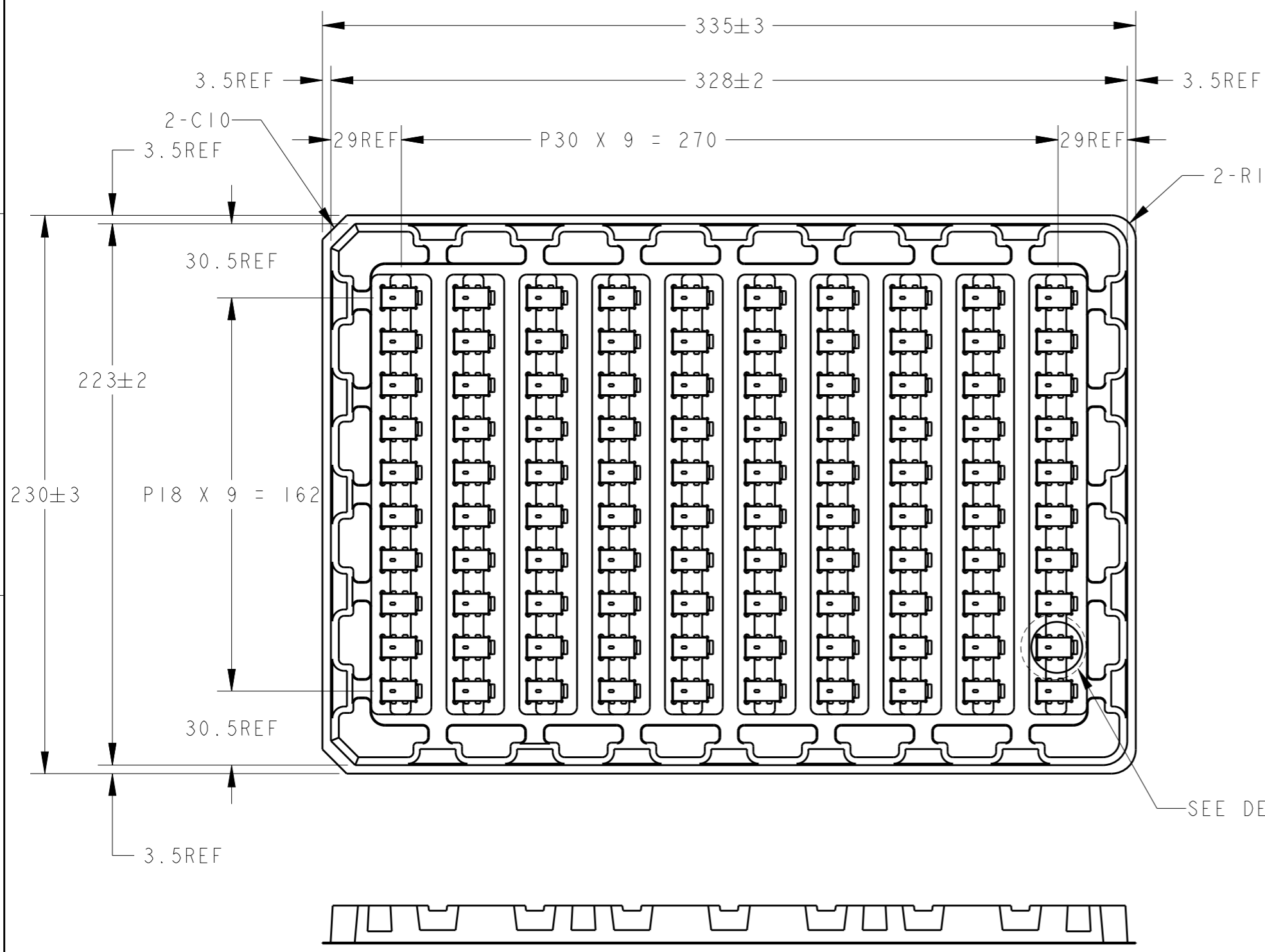
A

D

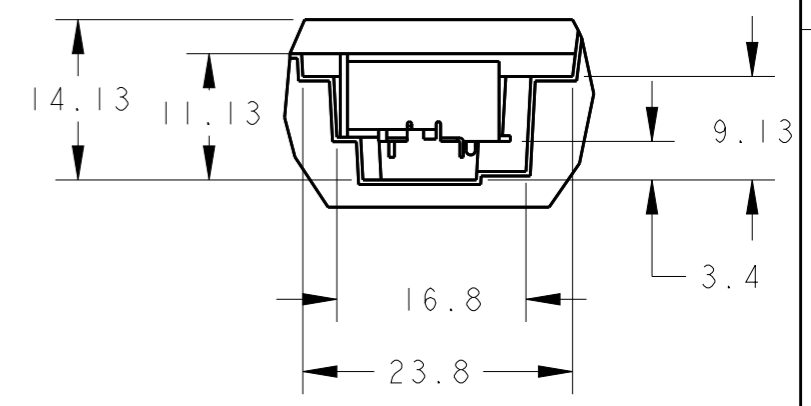
C

B

A



DETAIL A
AT BOTTOM OF TAPER



B-B

- 4. TRAY MATERIAL : POLYSTYRENE
- 5. PRODUCT QUANTITY: 100/1TRAY
- 6. MOISTURE SENSITIVE LEVEL: 5

THIS DRAWING IS A CONTROLLED DOCUMENT.	
DIMENSIONS: mm	TOLERANCES UNLESS OTHERWISE SPECIFIED: ±0.5
	0 PLC ±
	1 PLC ±
	2 PLC ±
	3 PLC ±
	4 PLC ±
	ANGLES ±
MATERIAL 4	FINISH

DWN	SEE SHEET 1
CHK	SEE SHEET 1
APVD	SEE SHEET 1
PRODUCT SPEC	SEE SHEET 1
APPLICATION SPEC	SEE SHEET 1
WEIGHT	-
CUSTOMER DRAWING	

TE Connectivity		NAME	
		INDUSTRIAL MINI I/O CONN. 1.27MM PITCH 8P HDR ASSY D-SHAPE TYPE 1	
SIZE	CAGE CODE	DRAWING NO	RESTRICTED TO
A3	-	C-1981080	
SCALE 1:2		SHEET 2 OF 2	REV B

单击下面可查看定价，库存，交付和生命周期等信息

[>>TE Connectivity\(泰科\)](#)